



US00D808012S

(12) **United States Design Patent**  
**Eaton et al.**

(10) **Patent No.:** **US D808,012 S**  
(45) **Date of Patent:** **\*\* Jan. 16, 2018**

- (54) **CONTAINER HOLDER FOR LIQUID DISPENSING**
- (71) Applicant: **EYE DROP IMAGING TECHNOLOGY, LLC**, Fort Myers, FL (US)
- (72) Inventors: **Alexander M. Eaton**, Fort Myers, FL (US); **Ruixue Liu**, Fort Myers, FL (US); **Guangjun Gao**, Fort Myers, FL (US)
- (73) Assignee: **EYE DROP IMAGING TECHNOLOGY, LLC**, Fort Myers, FL (US)
- (\*\*) Term: **15 Years**
- (21) Appl. No.: **29/582,873**
- (22) Filed: **Oct. 31, 2016**
- (51) **LOC (11) CL.** ..... **24-02**
- (52) **U.S. CL.**  
USPC ..... **D24/128**
- (58) **Field of Classification Search**  
USPC ..... D24/128-130, 172; D13/133, 153, 154, D13/156; D8/349, 354, 363  
CPC ..... F16L 23/10; A61M 25/02; A61M 2025/0098; A61F 9/0008; A61F 9/0026; E04F 11/1804; E04F 11/1808  
See application file for complete search history.

D299,804 S *	2/1989	Normandin .....	D7/620
D324,799 S *	3/1992	Shoemaker .....	D7/701
D463,550 S *	9/2002	Sherman .....	D24/115
D483,873 S *	12/2003	Schwartz .....	D24/172
D592,304 S *	5/2009	Kuehfuss .....	D24/128
D750,773 S	3/2016	Eaton et al.	
D751,702 S	3/2016	Eaton et al.	
2007/0112315 A1*	5/2007	Wang .....	A61M 5/158 604/257

**FOREIGN PATENT DOCUMENTS**

WO 2014081570 A1 5/2014

\* cited by examiner

*Primary Examiner* — Sheryl Lane

*Assistant Examiner* — Calvin E Vansant

(74) *Attorney, Agent, or Firm* — Yakov S. Sidorin;  
Quarles & Brady LLP

(57) **CLAIM**

The ornamental design for a container holder for liquid dispensing, as shown and described.

**DESCRIPTION**

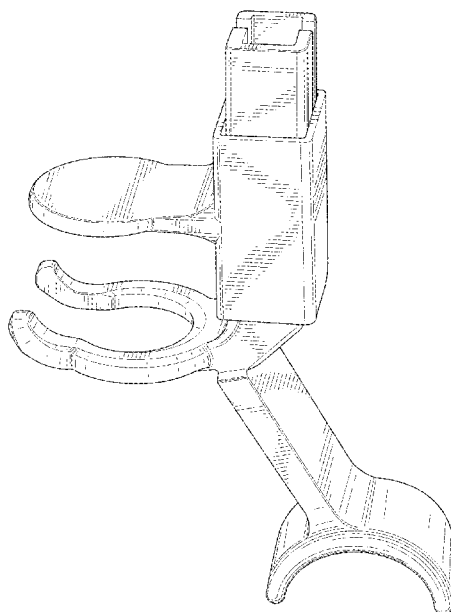
FIG. 1 is a perspective view of the design; FIG. 2 is a first elevation view thereof; FIG. 3 is a second elevation view thereof; FIG. 4 is a third elevational view thereof; FIG. 5 is a fourth elevational view thereof; FIG. 6 is a top plan view thereof; and, FIG. 7 is a bottom plan view thereof. The broken lines depict portions of the container holder for liquid dispensing that form no part of the claimed design.

**1 Claim, 7 Drawing Sheets**

(56) **References Cited**

**U.S. PATENT DOCUMENTS**

3,934,590 A *	1/1976	Campagna .....	A61F 9/0026 604/302
4,134,403 A *	1/1979	Johnsen .....	A61F 9/0026 222/192



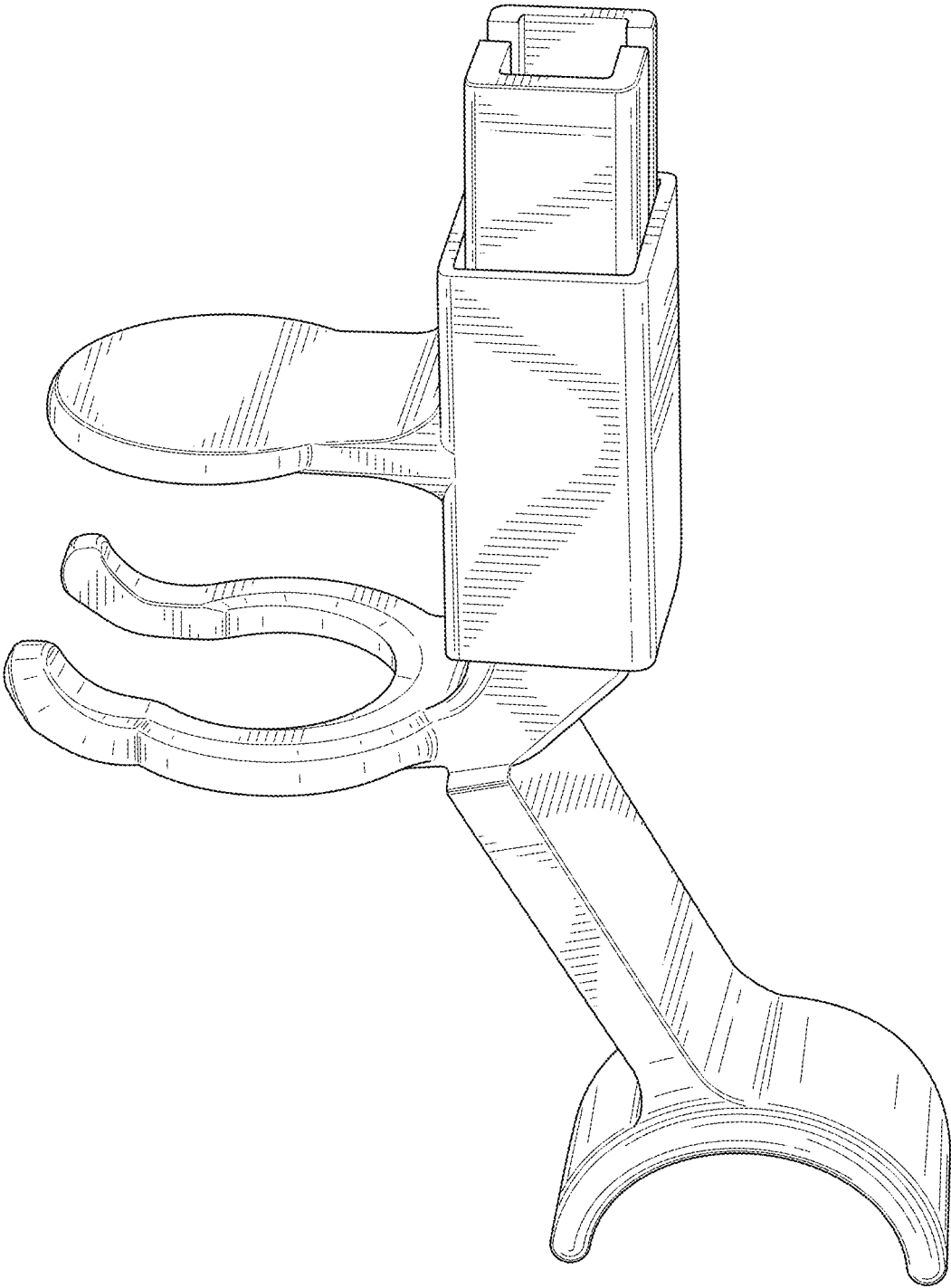


FIG. 1

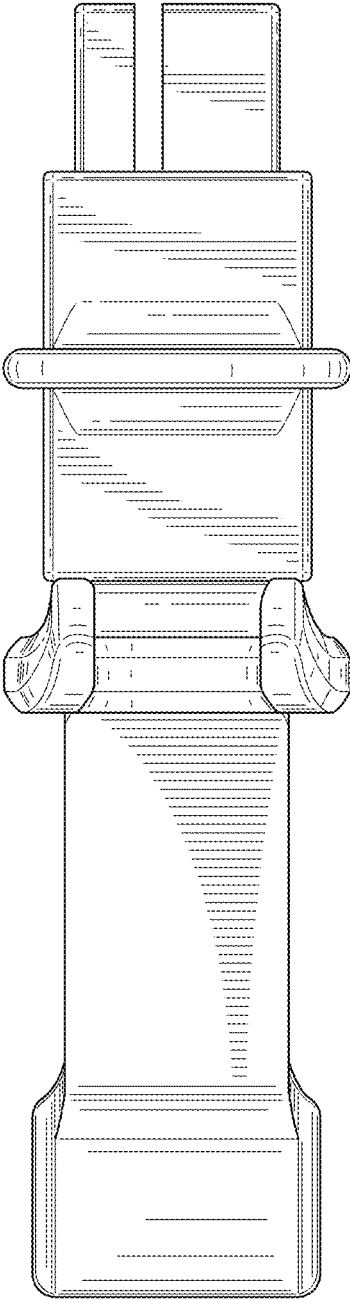


FIG. 2

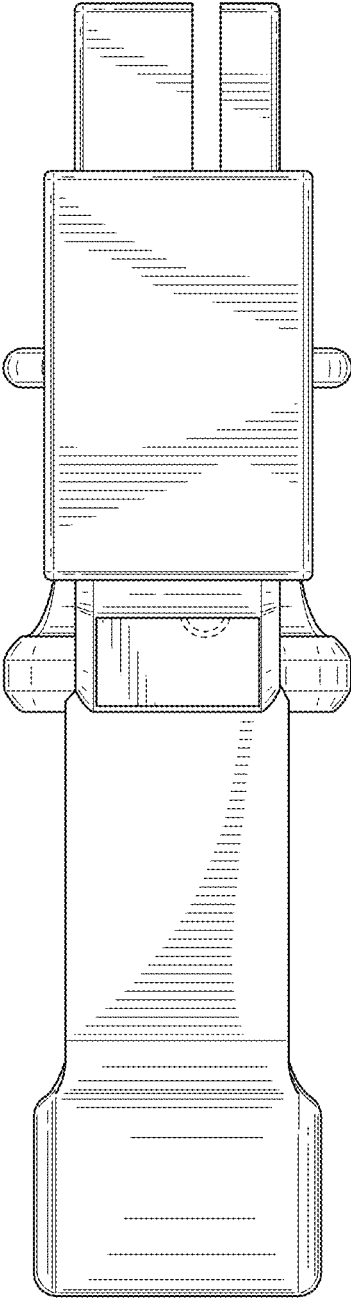


FIG. 3

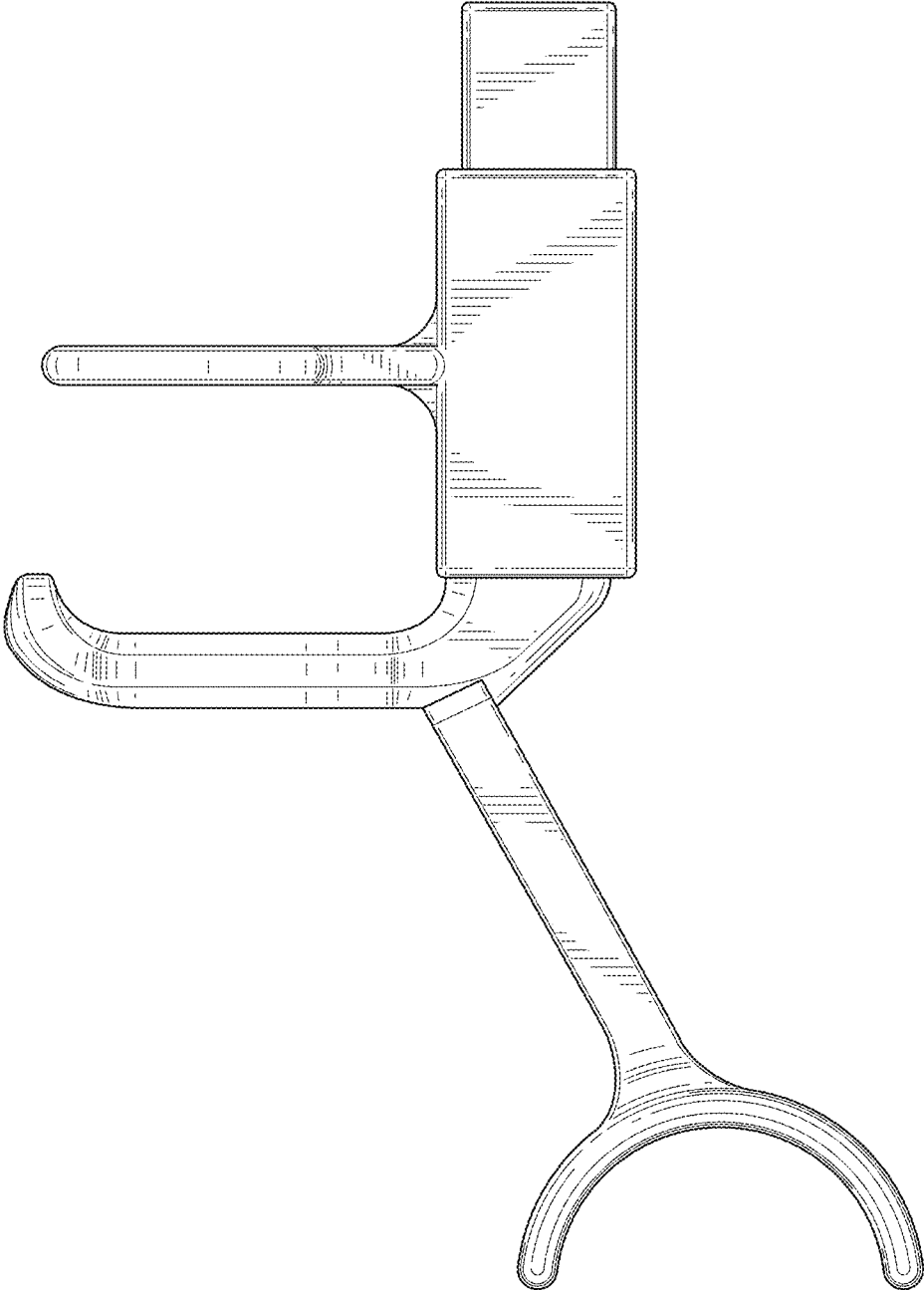


FIG. 4

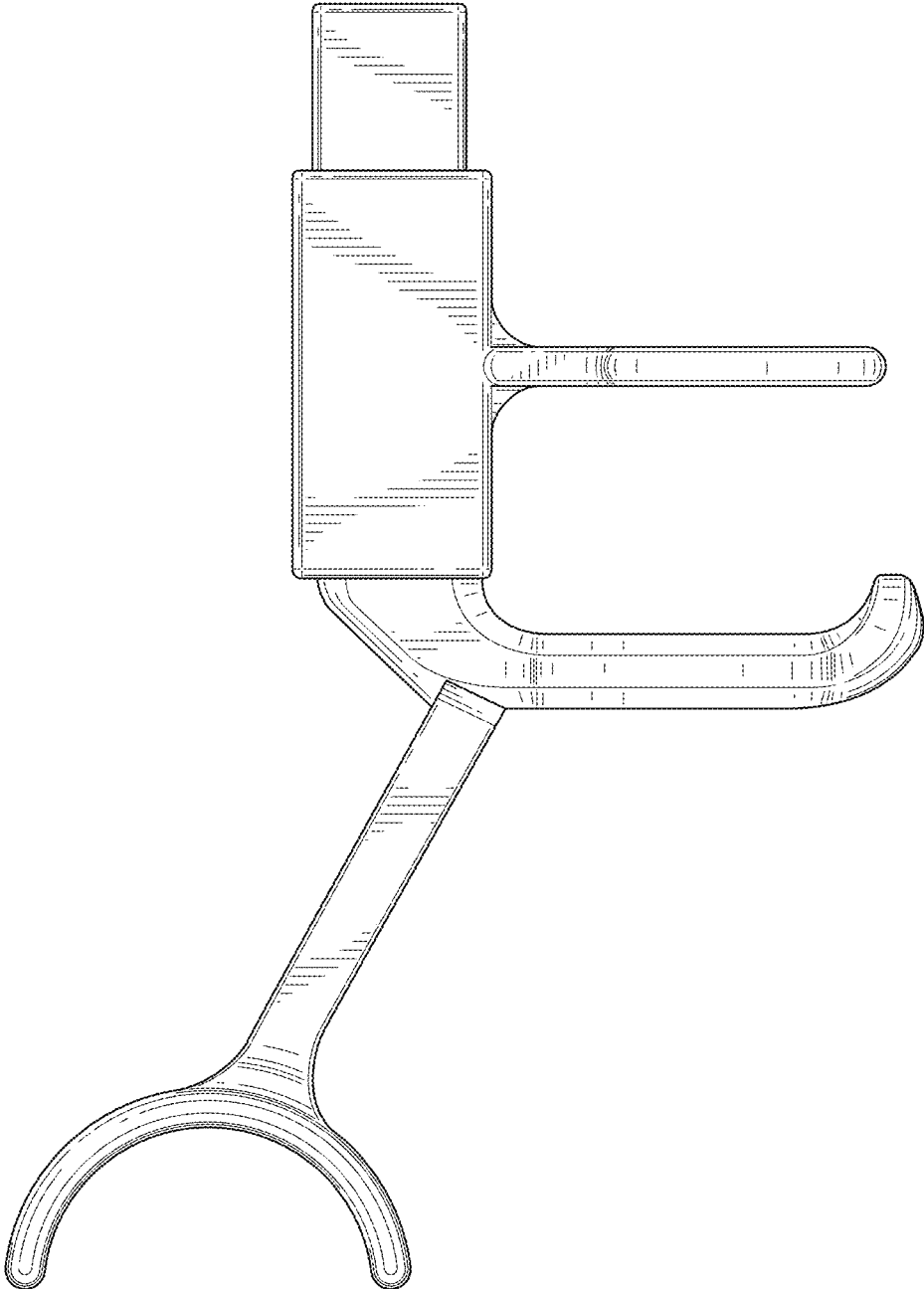


FIG. 5

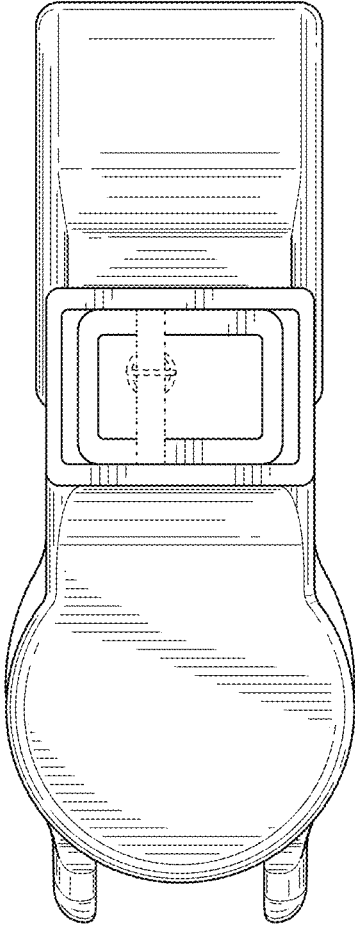
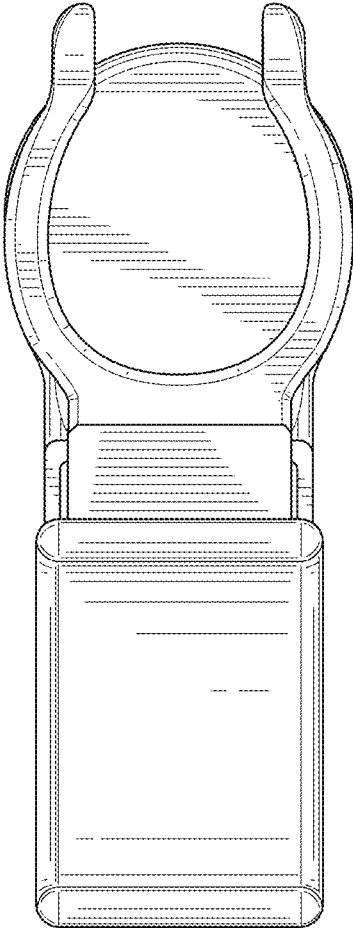


FIG. 6



**FIG. 7**