



US00D721724S

(12) **United States Design Patent**
Horst et al.

(10) **Patent No.:** **US D721,724 S**

(45) **Date of Patent:** **** Jan. 27, 2015**

(54) **DISPLAY PANEL WITH GRAPHICAL USER INTERFACE**

Primary Examiner — Angela J Lee

(57) **CLAIM**

The ornamental design for a display panel with graphical user interface, as shown and described.

(71) Applicant: **United States Green Building Council (USGBC)**, Washington, DC (US)

DESCRIPTION

(72) Inventors: **Scot Horst**, Kutztown, PA (US); **Mahesh Ramanujam**, Durham, NC (US); **Dhruv Gami**, Pittsburgh, PA (US); **S. Richard Fedrizzi**, Syracuse, NY (US); **Vincenzo Anthony Trincia, III**, San Francisco, CA (US); **Silvia Boscolo Bielo**, San Francisco, CA (US); **Kimberly Jean Cullen**, San Francisco, CA (US); **Claudio Fresneda Neumann**, San Francisco, CA (US); **Steven Bishop**, Mountain View, CA (US)

FIG. 1 shows a top right perspective view of a first embodiment of a display panel with graphical user interface showing our new design;

FIG. 2 is a top right perspective view thereof showing a second embodiment;

FIG. 3 is a top right perspective view thereof showing a third embodiment;

FIG. 4 is a top right perspective view thereof showing the first embodiment with a different broken line environment;

FIG. 5 is a top right perspective view thereof showing the second embodiment with a different broken line environment;

FIG. 6 is a top right perspective view thereof showing the third embodiment with a different broken line environment;

FIG. 7 is a top right perspective view thereof showing the first embodiment with a different broken line environment;

FIG. 8 is a top right perspective view thereof showing the second embodiment with a different broken line environment;

FIG. 9 is a top right perspective view thereof showing the third embodiment with a different broken line environment;

FIG. 10 is a top right perspective view thereof showing the first embodiment with a different broken line environment;

FIG. 11 is a top right perspective view thereof showing the second embodiment with a different broken line environment;

FIG. 12 is a top right perspective view thereof showing the third embodiment with a different broken line environment;

FIG. 13 is a top right perspective view thereof showing the first embodiment with a different broken line environment;

FIG. 14 is a top right perspective view thereof showing the second embodiment with a different broken line environment, and,

FIG. 15 is a top right perspective view thereof showing the third embodiment with a different broken line environment.

(73) Assignee: **U.S. Green Building Council**, Washington, DC (US)

(**) Term: **14 Years**

(21) Appl. No.: **29/450,278**

(22) Filed: **Mar. 15, 2013**

(51) **LOC (10) Cl.** **14-04**

(52) **U.S. Cl.**
USPC **D14/486**

(58) **Field of Classification Search**
USPC D14/485-495; 715/700, 703, 716, 726, 715/730, 732, 771, 773, 779, 793, 808, 809, 715/810, 832, 834, 837, 839, 840, 864, 970, 715/977

See application file for complete search history.

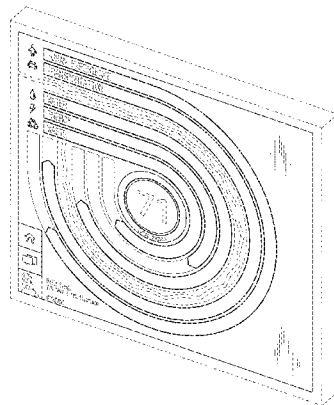
(56) **References Cited**

U.S. PATENT DOCUMENTS

D474,197 S * 5/2003 Nguyen D14/486
D614,192 S * 4/2010 Takano et al. D14/486

(Continued)

1 Claim, 15 Drawing Sheets



(56)

References Cited

U.S. PATENT DOCUMENTS

D645,470	S	*	9/2011	Matas	D14/489	D697,080	S	*	1/2014	Scholz et al.	D14/489
8,117,557	B2	*	2/2012	Dotson et al.	715/771	D700,197	S	*	2/2014	Akcasu et al.	D14/486
D676,060	S	*	2/2013	Frost et al.	D14/490	D700,198	S	*	2/2014	Akcasu et al.	D14/486
D684,586	S	*	6/2013	Plesnicher et al.	D14/486	D700,618	S	*	3/2014	Hwang et al.	D14/486
							D701,226	S	*	3/2014	Jung	D14/486
							2007/0136679	A1	*	6/2007	Yang	715/772

* cited by examiner

FIG. 1

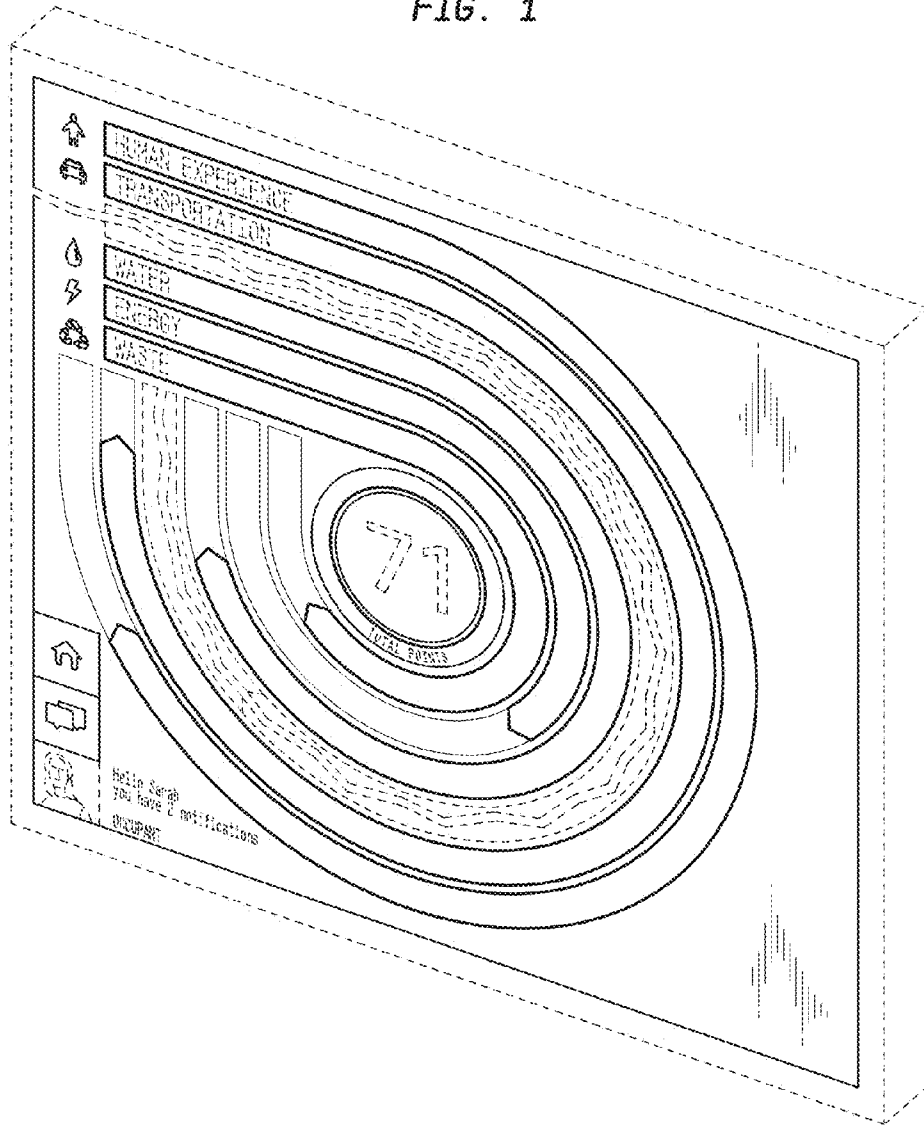


FIG. 2

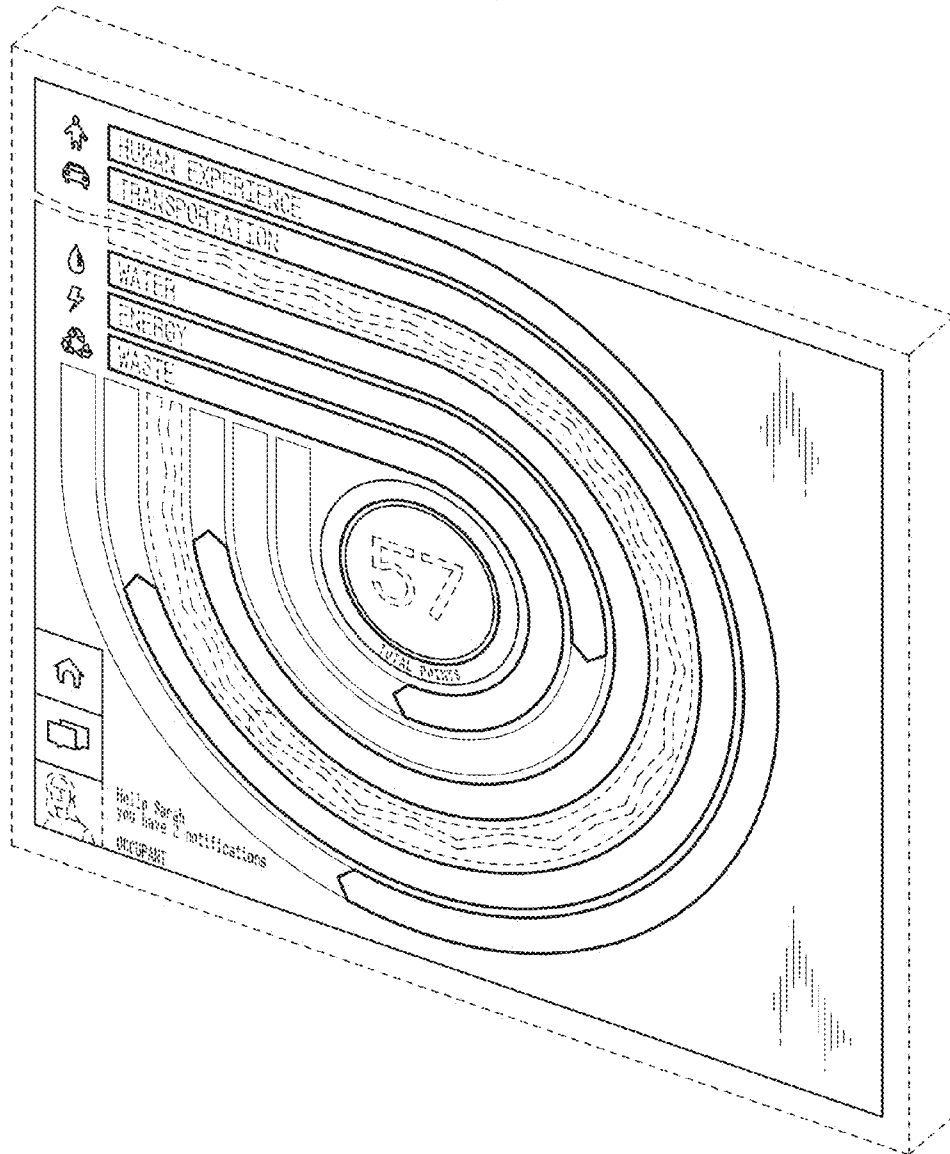


FIG. 3

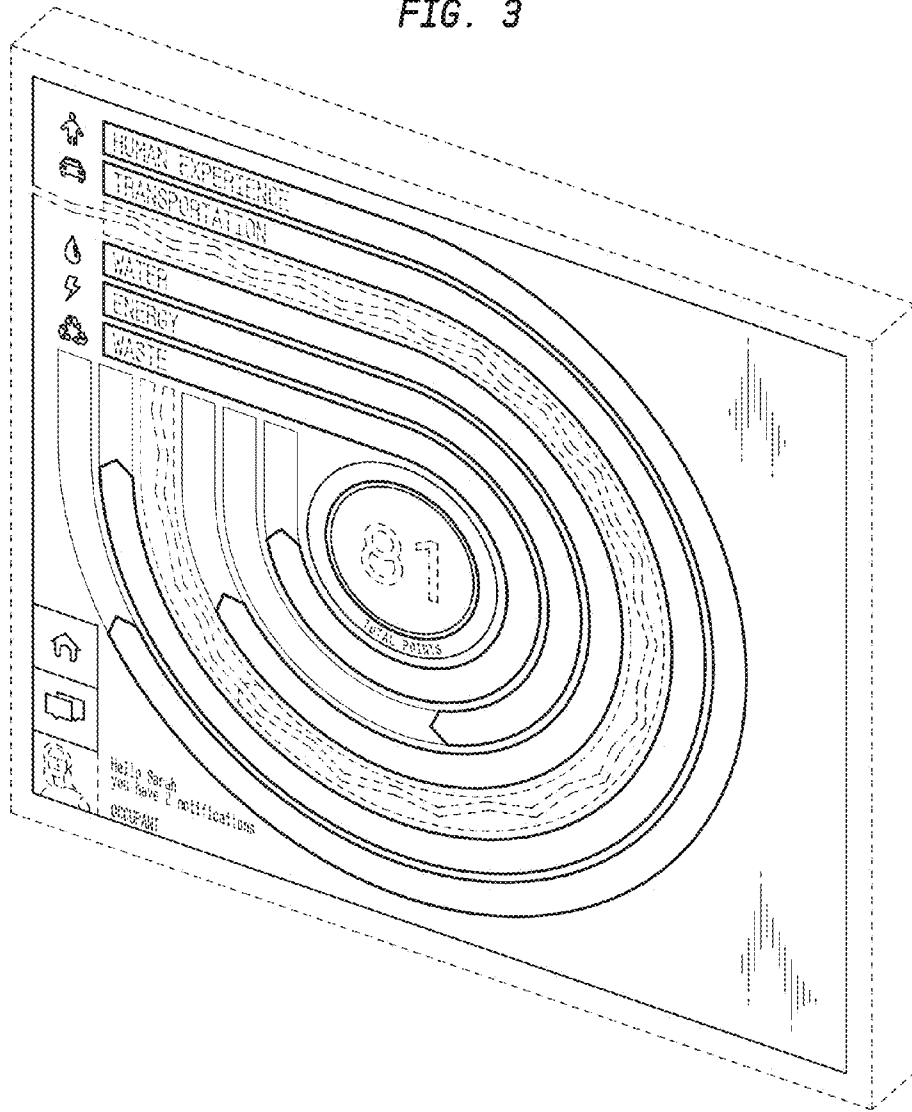


FIG. 4

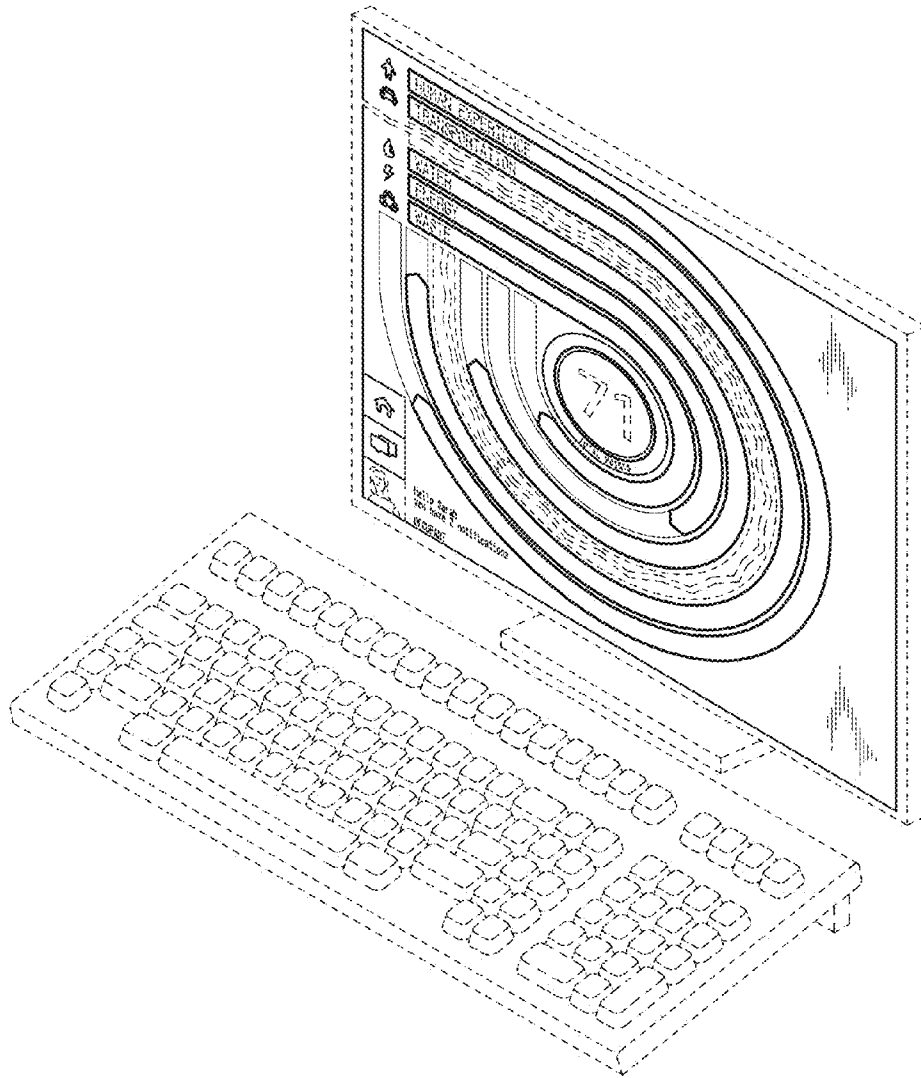


FIG. 5

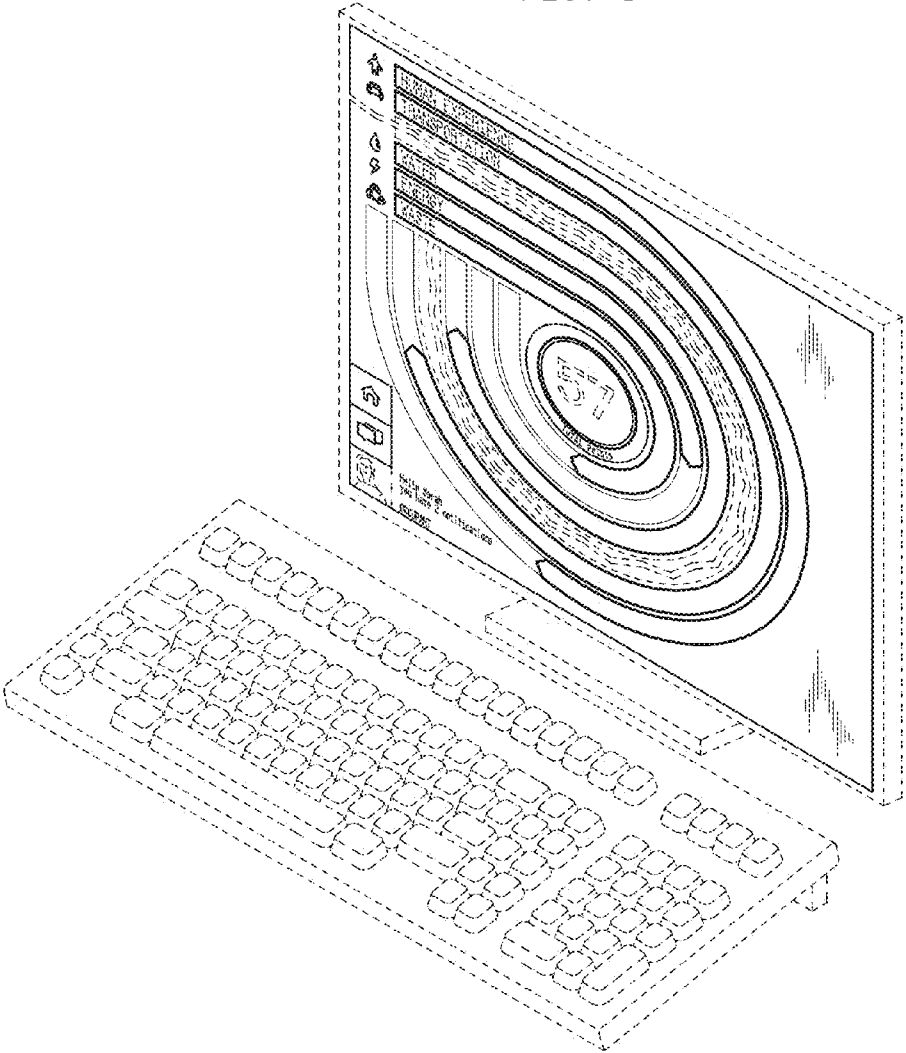


FIG. 6

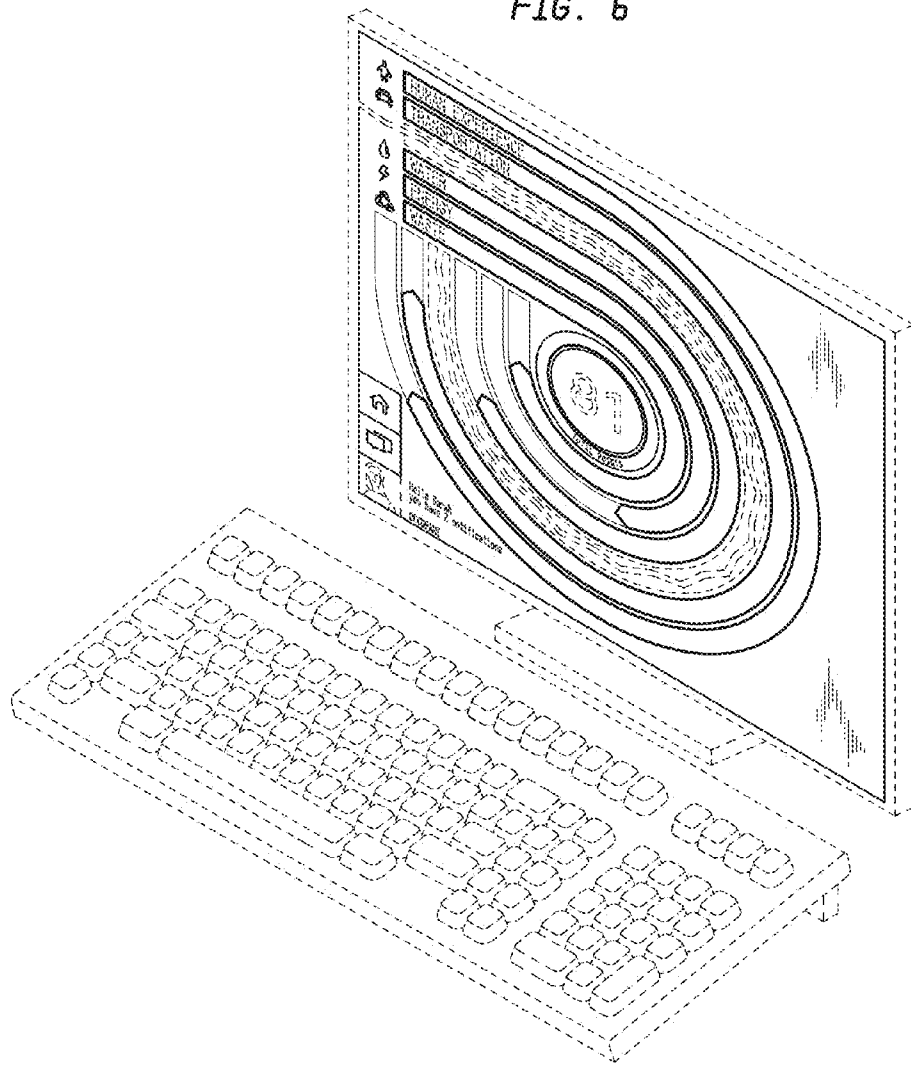


FIG. 7

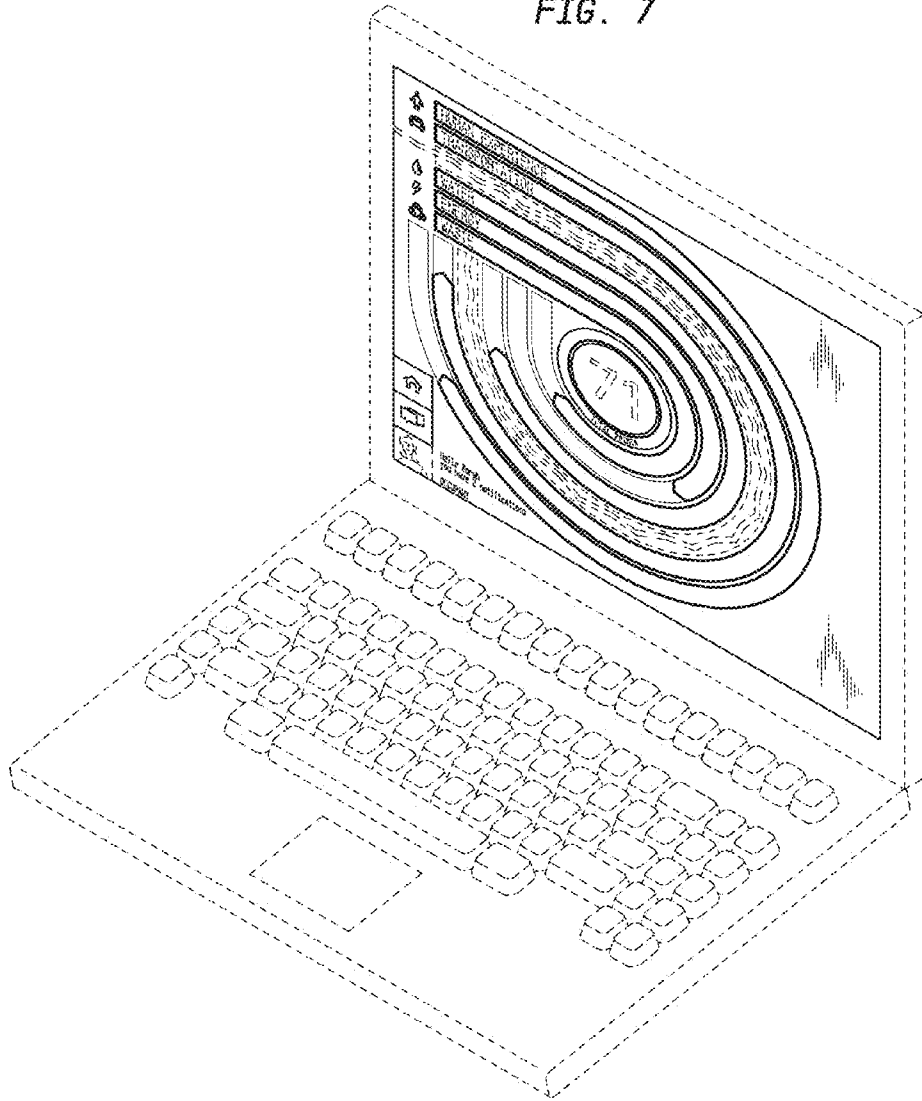


FIG. 8

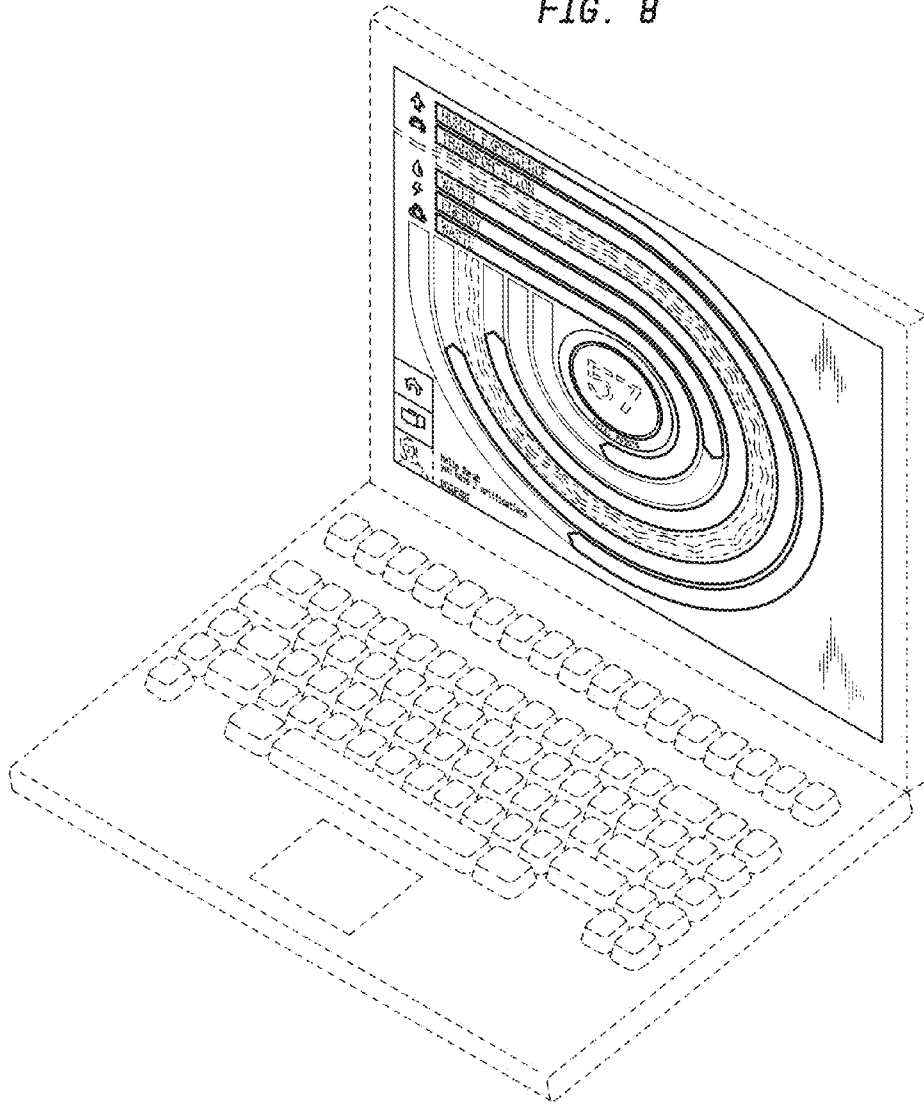
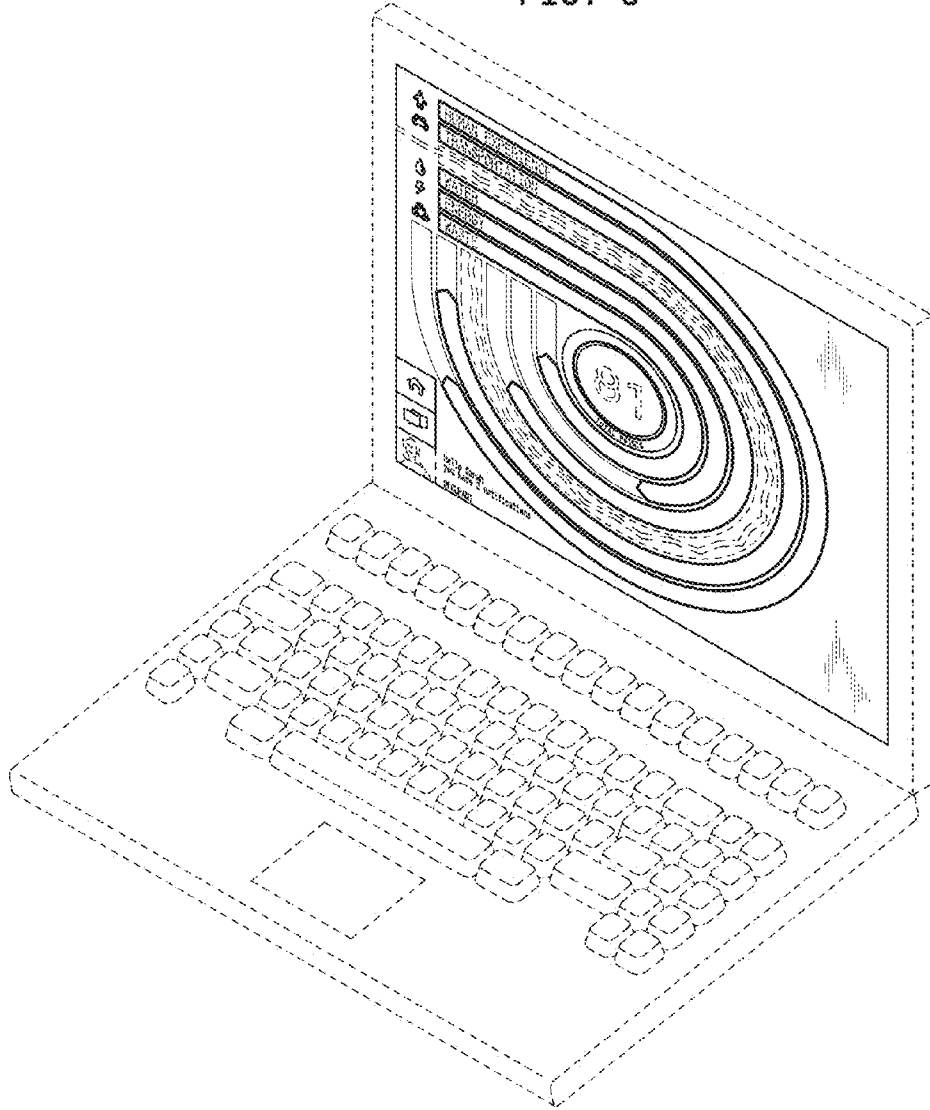
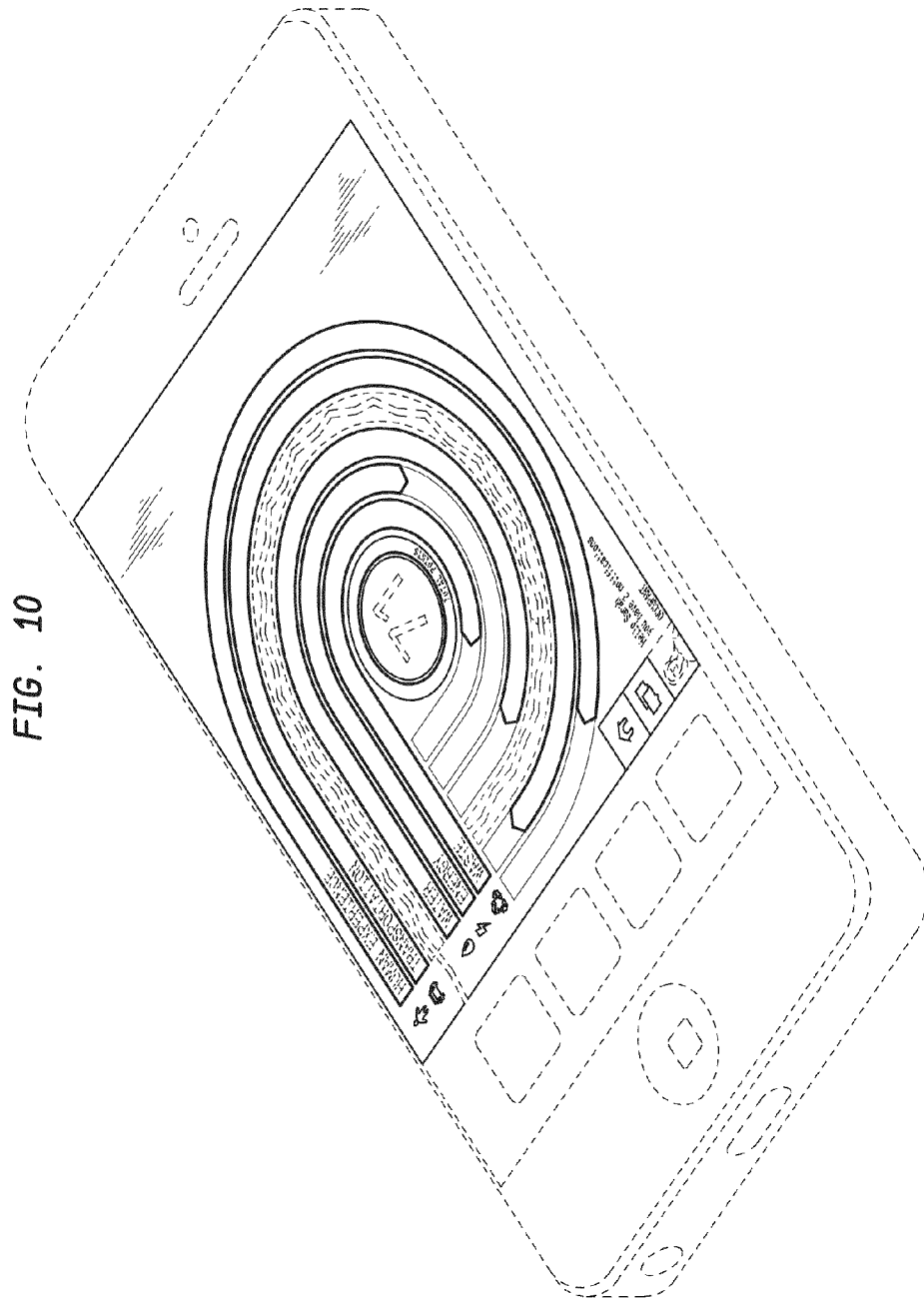


FIG. 9





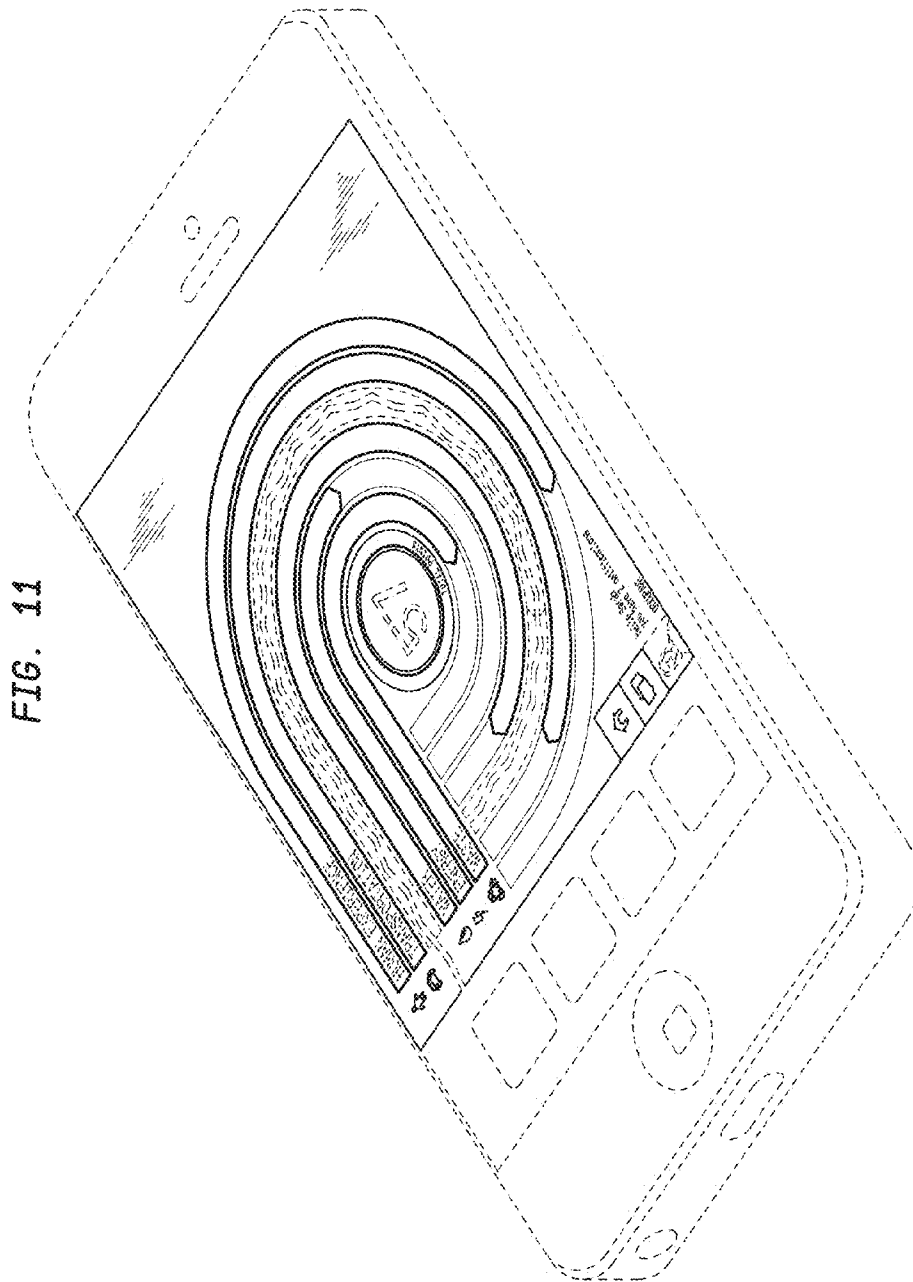


FIG. 11

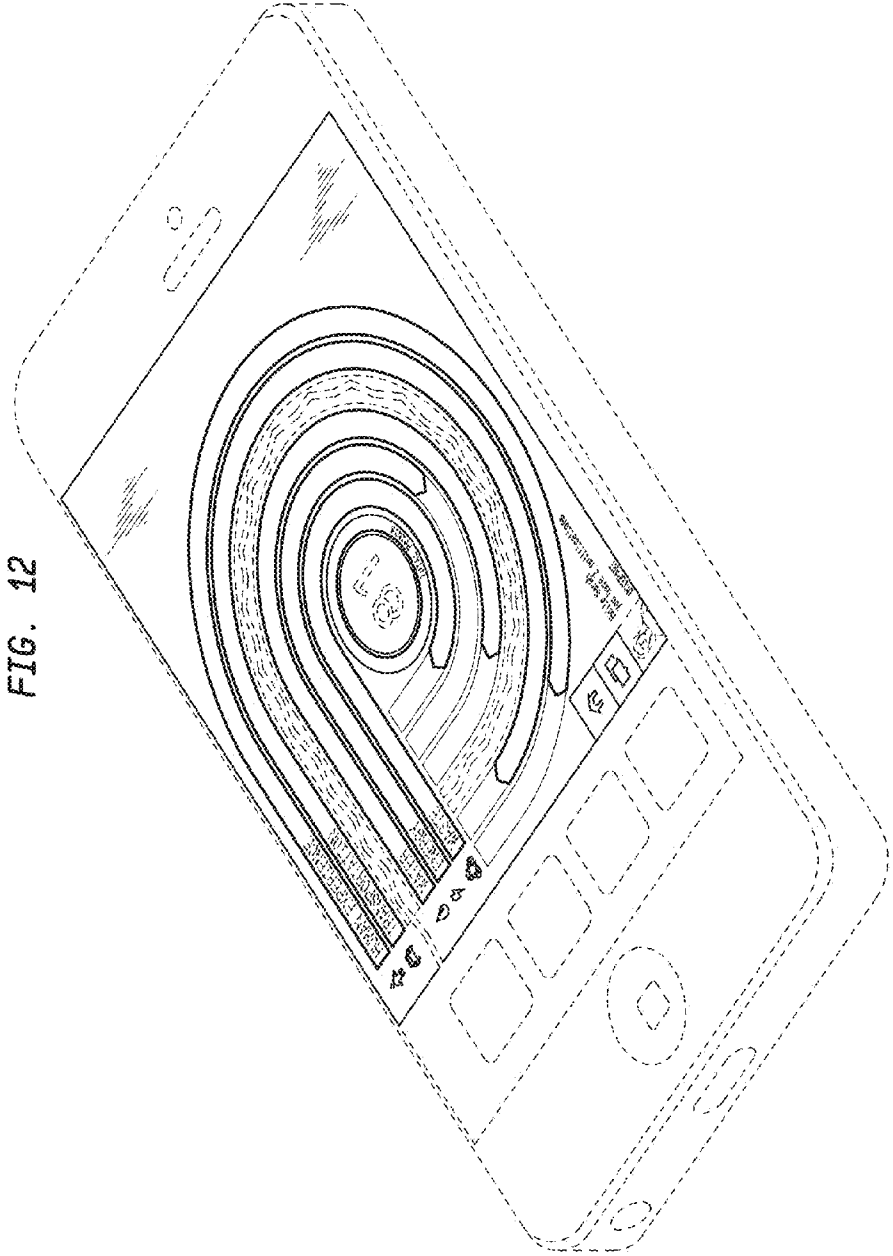


FIG. 12

FIG. 13

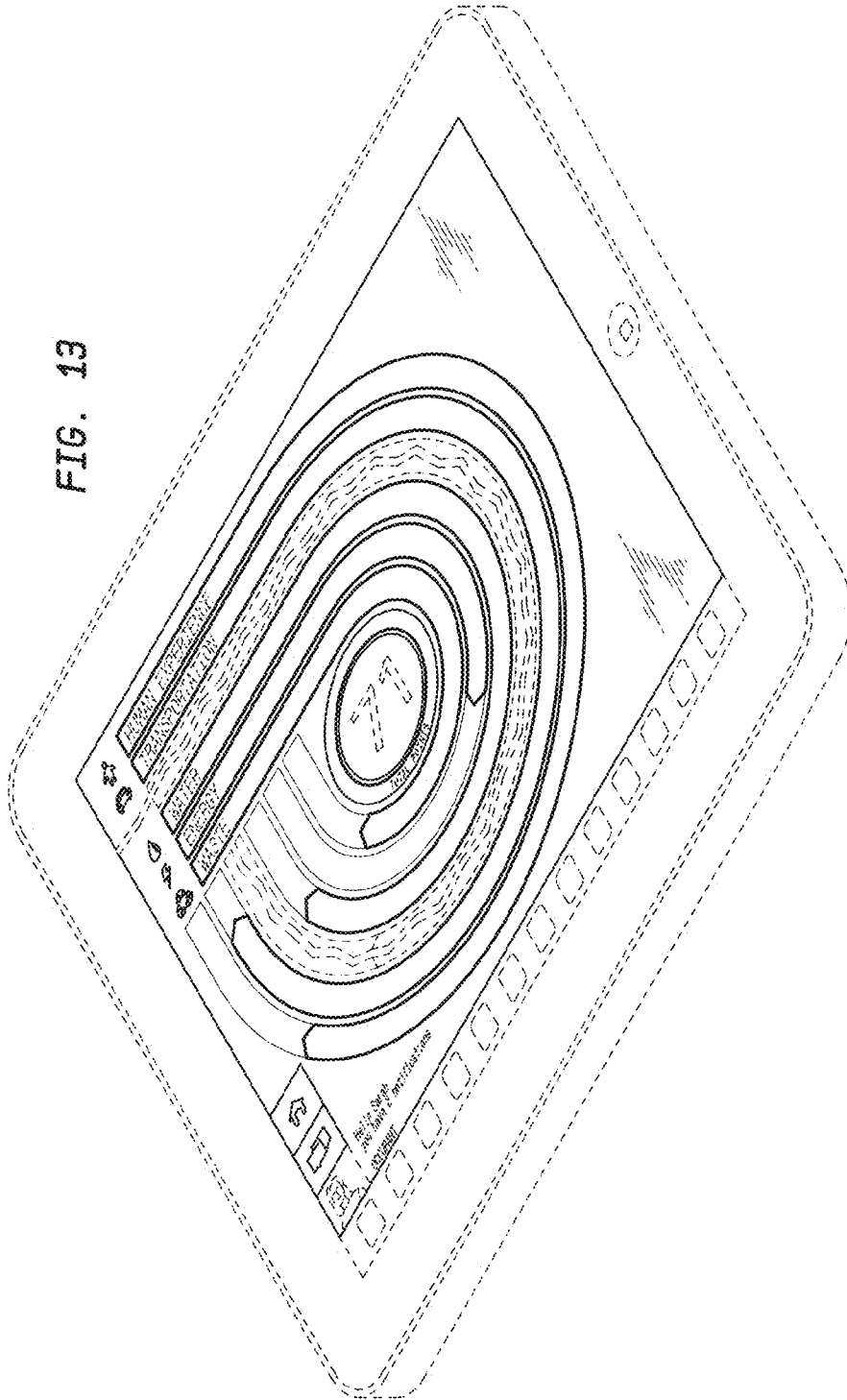


FIG. 14

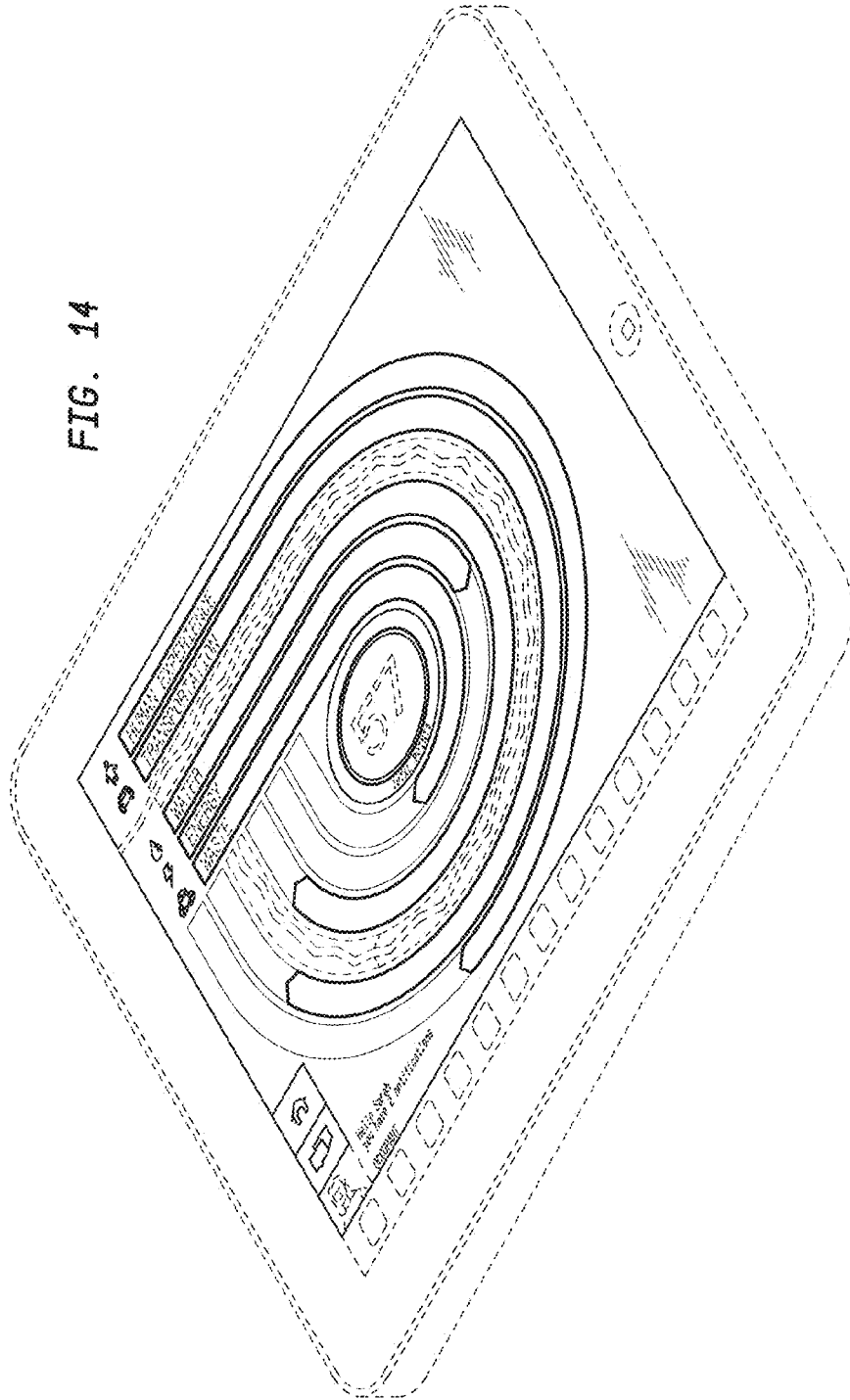


FIG. 15

