

[54] COMBINED SPRAYER AND CONTAINER

[75] Inventor: William J. Reed, Wythall, England

[73] Assignee: ASL/Airflow Limited, Birmingham, England

[**] Term: 14 Years

[21] Appl. No.: 856,164

[22] Filed: Nov. 30, 1977

[30] Foreign Application Priority Data

Sep. 30, 1977 [GB] United Kingdom 981739/77

[51] Int. Cl. D23-01

[52] U.S. Cl. D23/18

[58] Field of Search D23/17, 18, 34-40;
D9/3, 73, 127, 159, 111, 275, 276, 291; 222/340,
341, 383-385; 239/331, 333

[56]

References Cited

U.S. PATENT DOCUMENTS

D. 244,531	5/1977	Klingaman	D23/18
D. 247,302	2/1978	Federico et al.	D23/18
3,474,938	10/1969	Clevonger	239/333
3,762,647	10/1973	Tada	239/526
3,913,841	10/1975	Tada	239/526

Primary Examiner—James R. Largen

Attorney, Agent, or Firm—Eric H. Waters

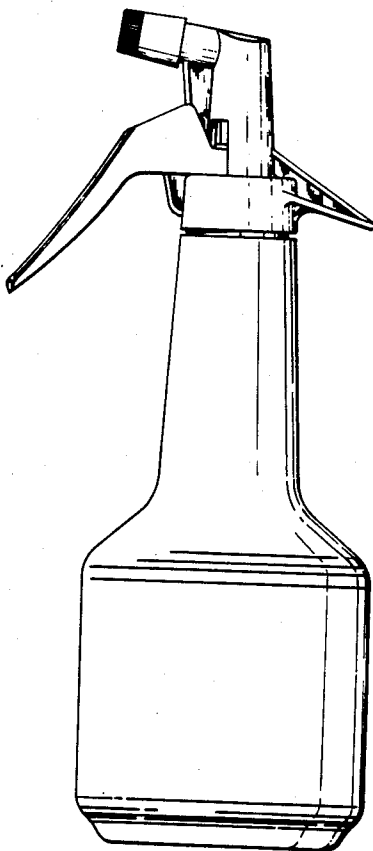
[57]

CLAIM

The ornamental design for a combined sprayer and container, as shown and described.

DESCRIPTION

FIG. 1 is a front elevational view of a combined sprayer and container showing my new design; FIG. 2 is a side elevational view thereof, the opposite side being a mirror image of the side shown; FIG. 3 is a rear elevational view thereof; FIG. 4 is a top plan view thereof; and FIG. 5 is a bottom plan view thereof.



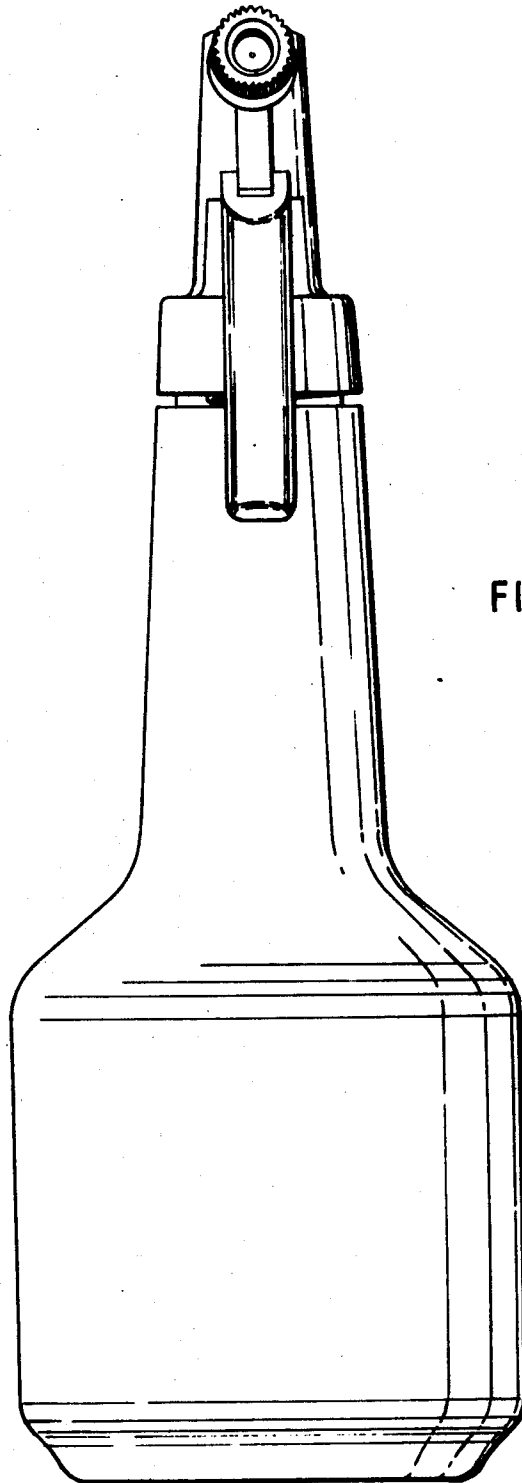


FIG. 1 .

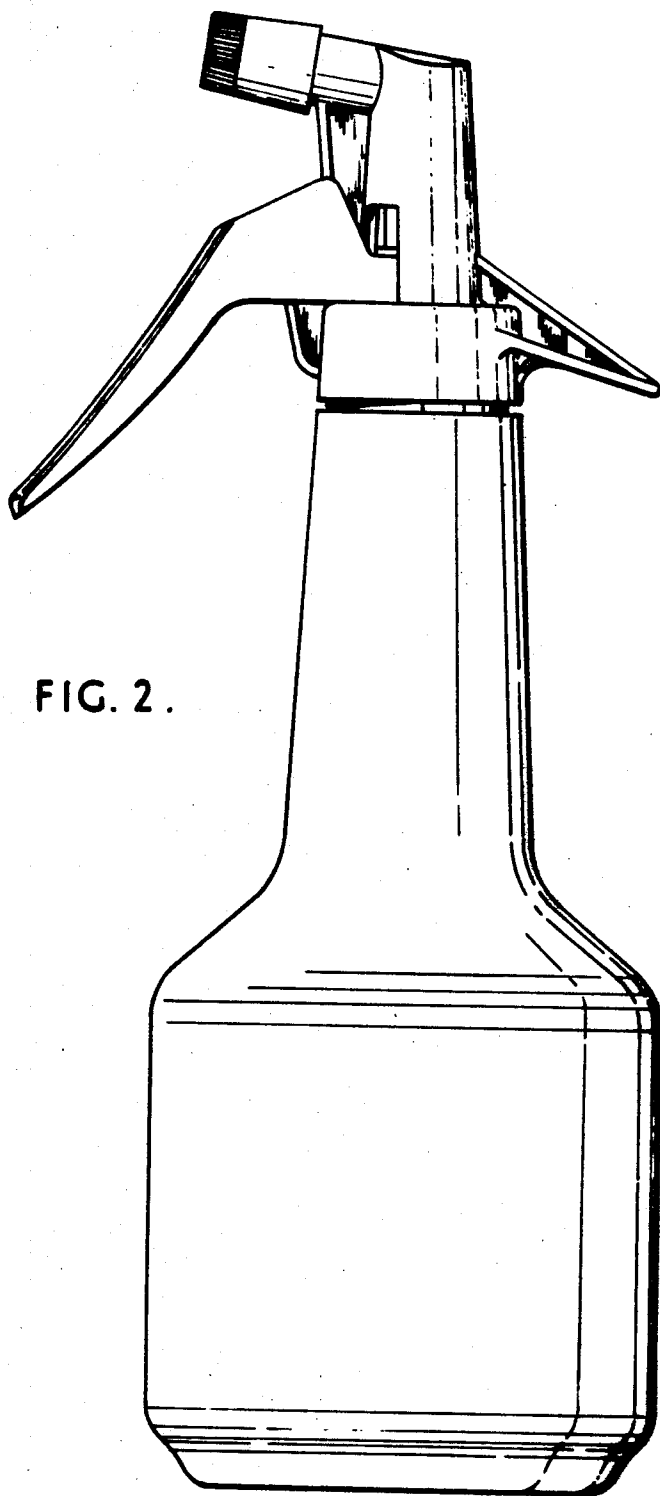
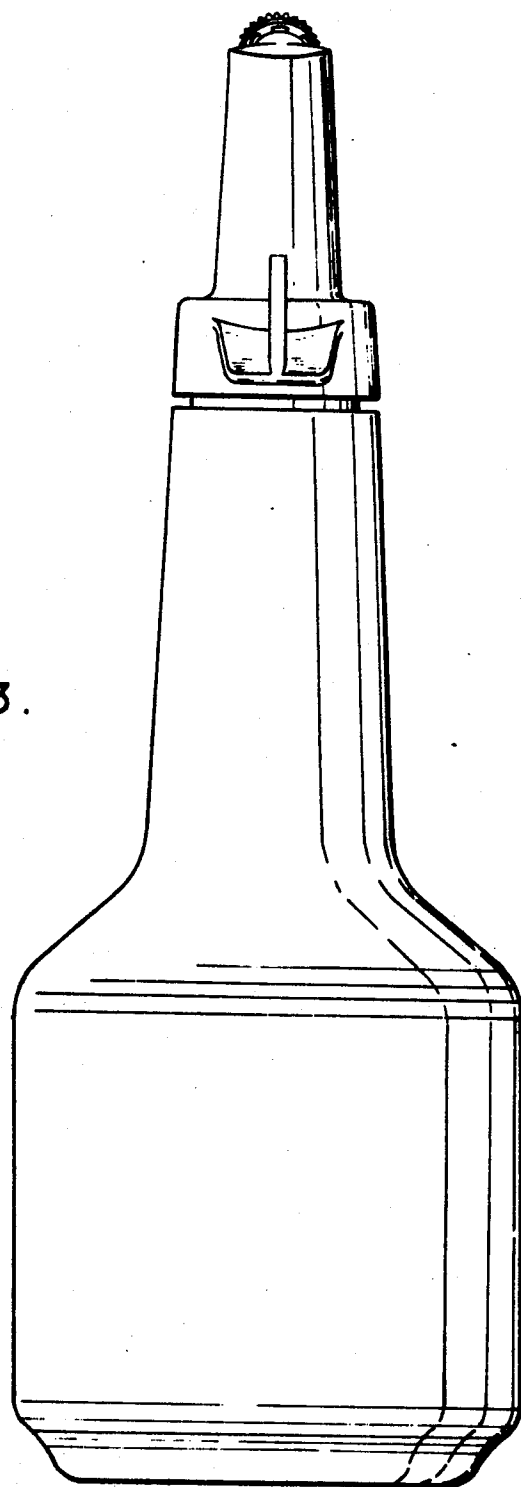


FIG. 2.

FIG. 3.



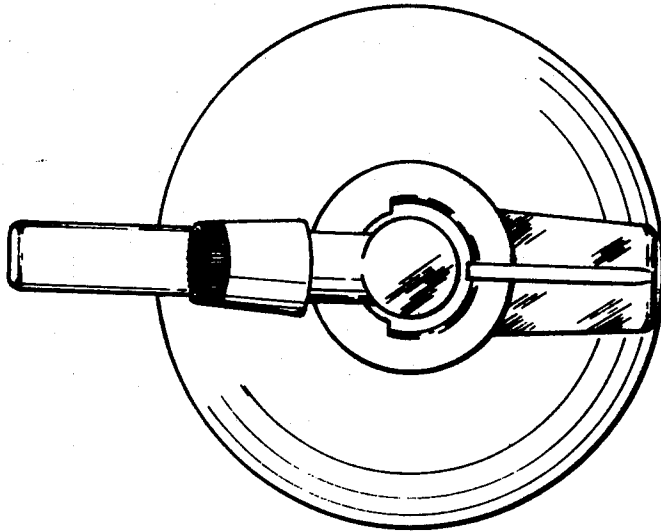


FIG. 4 .

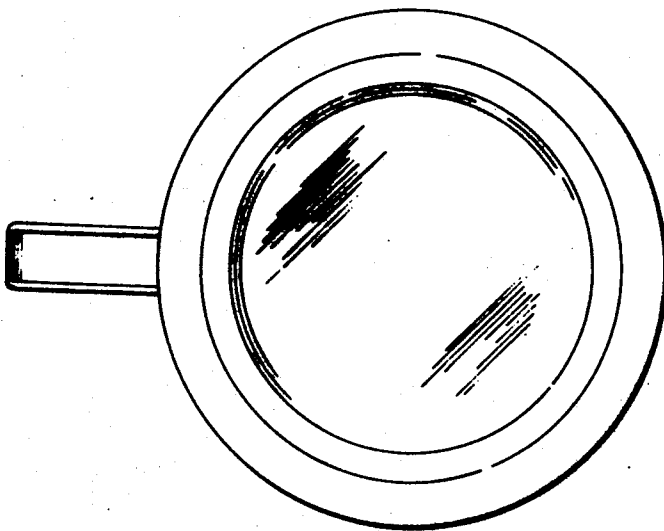


FIG. 5 .