

[54] FISHING REEL

[75] Inventor: Kiyoshi Okada, Koganei, Japan

[73] Assignee: Daiwa Seiko, Inc., Higashikurume, Japan

[**] Term: 14 Years

[21] Appl. No.: 718,251

[22] Filed: Aug. 27, 1976

[30] Foreign Application Priority Data

July 8, 1976 Japan 51-6382

[51] Int. Cl. D22-05

[52] U.S. Cl. D22/25

[58] Field of Search D22/25, 26, 23; 43/18 R, 20, 22; 242/84.1 R, 84.1 J, 84.2 R, 84.2 A, 84.2 B, 84.2 C, 84.2 E, 84.2 F, 84.2 G, 84.2 H, 84.2 J, 84.21, 84.21 A

[56] References Cited

U.S. PATENT DOCUMENTS

D. 235,258 6/1975 Sugimoto D22/25

OTHER PUBLICATIONS

Field & Stream, 3/75, p. 85, Casting Reel, top of page.
Field & Stream, 2/76, p. 3, Casting Reel, top of page.

Primary Examiner—Wallace R. Burke
Assistant Examiner—James M. Gandy
Attorney, Agent, or Firm—Richard C. Sughrue

[57] CLAIM

The ornamental design for a fishing reel, as shown.

DESCRIPTION

FIG. 1 is a rear, top and right side perspective view of a fishing reel showing my new design; FIG. 2 is a left side elevational view thereof; FIG. 3 is a front elevational view thereof; and FIG. 4 is a bottom plan view thereof.

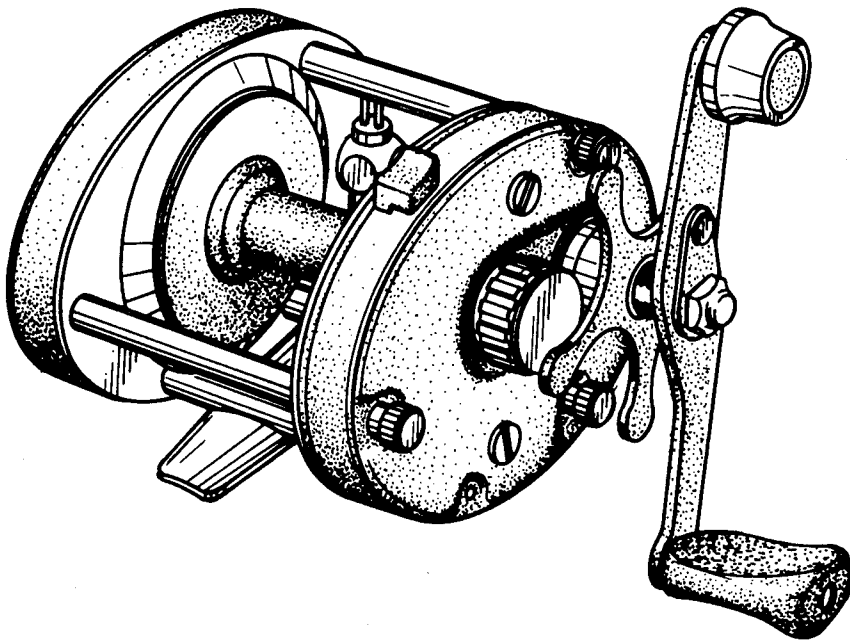


FIG. 1

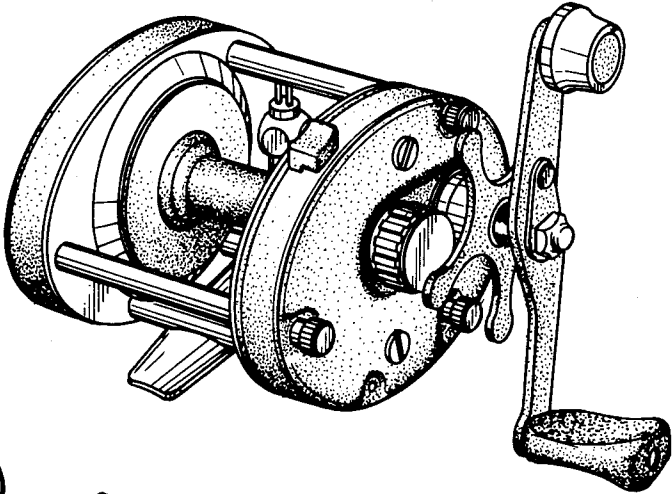


FIG. 2

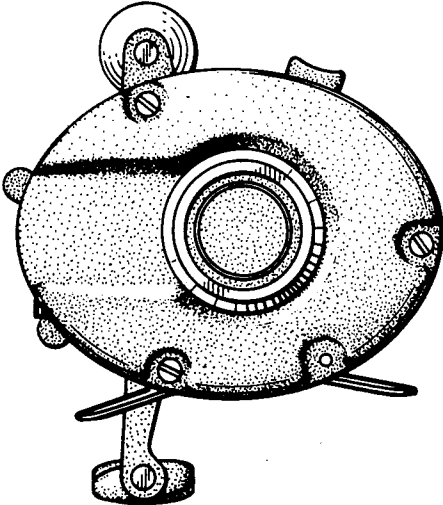


FIG. 3

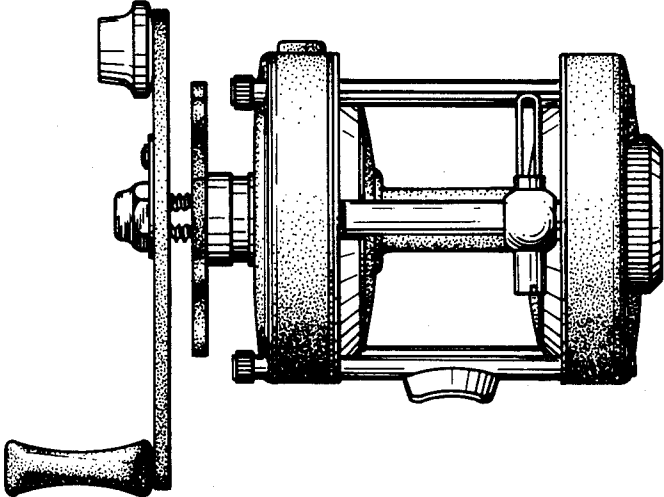


FIG. 4

