



(12) **United States Design Patent**
Shin

(10) **Patent No.:** **US D731,124 S**
(45) **Date of Patent:** **** Jun. 2, 2015**

(54) **AUTOMATIC PET FOOD DISPENSER**

31/12; A01K 7/06; A01K 7/022; A01K 7/027;
A01K 7/025; A01K 39/0213; A01K 5/0275;
A01K 5/0283

(71) Applicant: **MCARESYS CORPORATION**, Seoul
(KR)

See application file for complete search history.

(72) Inventor: **Tae Sik Shin**, Seoul (KR)

(56) **References Cited**

(73) Assignee: **MCARESYS CORPORATION**, Seoul
(KR)

U.S. PATENT DOCUMENTS

(**) Term: **14 Years**

1,533,627 A * 4/1925 Averill 222/586
2,618,237 A * 11/1952 McDermott et al. 119/454
3,112,733 A * 12/1963 Arnott 119/77
3,720,184 A * 3/1973 Pearce 119/51.5
D232,658 S * 9/1974 Fassauer D30/121
D232,847 S * 9/1974 Okubo D30/121
3,920,224 A * 11/1975 Fassauer 366/131

(21) Appl. No.: **29/475,032**

(22) Filed: **Nov. 27, 2013**

(Continued)

(30) **Foreign Application Priority Data**

Nov. 14, 2013 (KR) 30-2013-0057349

Primary Examiner — Susan Moon Lee

(51) **LOC (10) Cl.** **30-07**

(74) *Attorney, Agent, or Firm* — Stein IP, LLC

(52) **U.S. Cl.**
USPC **D30/122**

(57) **CLAIM**

(58) **Field of Classification Search**

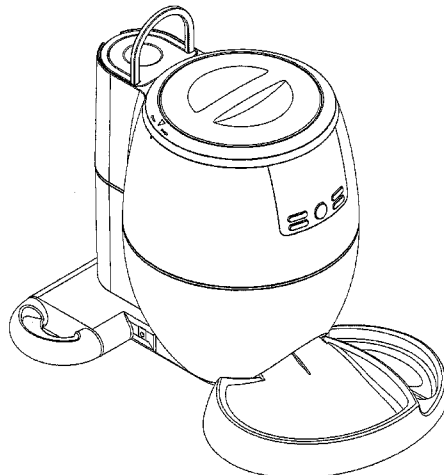
I claim the ornamental design for an automatic pet food dispenser, as shown and described.

USPC D30/121, 122, 129-133; 119/61.5,
119/51.01, 61.56, 51.03, 59, 62, 63, 51.5,
119/57.8, 74, 61.54, 61.55, 53, 53.5, 75;
312/204; 248/151, 188; 108/156,
108/153.1-157; 220/23.87, 630, 737, 743,
220/9.4, 495.01, 574, 212, 255, 23.83;
206/515; D7/586, 543, 550.1, 587,
D7/505, 584, 545, 500, 553.1-553.8, 546,
D7/555, 556, 504, 565, 562, 602; D9/429;
43/109; D22/122; 99/430, DIG. 15
CPC . A01K 5/0114; A01K 5/0128; A01K 5/0135;
A01K 5/0225; A01K 5/01; A01K 5/015;
A01K 5/0216; A01K 5/025; A01K 5/0142;
A01K 5/0291; A01K 5/02; A01K 5/0241;
A01K 5/0233; A01K 7/00; A01K 7/02;
A01K 7/04; A01K 7/005; A01K 39/014;
A01K 39/02; A01K 39/04; A01K 39/012;
A01K 39/0125; A01K 39/0106; A01K
39/0113; A01K 1/0356; A01K 1/10; A01K
1/0005; A01K 1/0017; A01K 1/02; A01K
1/0107; A01K 27/004; A01K 15/026; A01K

DESCRIPTION

FIG. 1 is a perspective view of an automatic pet food dispenser;
FIG. 2 is a front view of the automatic pet food dispenser of FIG. 1;
FIG. 3 is a rear view of the automatic pet food dispenser of FIG. 1;
FIG. 4 is a left side view of the automatic pet food dispenser of FIG. 1;
FIG. 5 is a right side view of the automatic pet food dispenser of FIG. 1;
FIG. 6 is a top view of the automatic pet food dispenser of FIG. 1; and,
FIG. 7 is a bottom view of the automatic pet food dispenser of FIG. 1.
Broken lines and entirely unshaded portions contained within broken lines are not claimed.

1 Claim, 7 Drawing Sheets



(56)

References Cited

U.S. PATENT DOCUMENTS

4,450,790	A *	5/1984	Stansbury, Jr.	119/51.12	7,040,249	B1 *	5/2006	Mushen	119/51.5
4,513,688	A *	4/1985	Fassauer	119/57.1	D563,605	S *	3/2008	Morris et al.	D30/122
4,721,063	A *	1/1988	Atchley	119/52.1	D584,109	S *	1/2009	Krog	D7/608
4,840,143	A *	6/1989	Simon	119/52.1	D621,555	S *	8/2010	Hewson et al.	D30/121
D316,382	S *	4/1991	Lorenzana et al.	D11/164	D621,556	S *	8/2010	Hewson et al.	D30/121
D330,098	S *	10/1992	VanSkiver	D30/121	D632,606	S *	2/2011	Jalet	D11/144
D348,336	S *	6/1994	Woo	D30/122	7,895,973	B1 *	3/2011	Whelan	119/51.02
5,333,571	A *	8/1994	Re et al.	119/56.1	7,913,647	B1 *	3/2011	Martin	119/52.1
D351,689	S *	10/1994	VanSkiver	D30/121	D637,769	S *	5/2011	Weber	D30/132
5,351,645	A *	10/1994	Brennon	119/475	D642,335	S *	7/2011	Weber	D30/121
5,353,739	A *	10/1994	Chu	119/51.03	D655,053	S *	2/2012	Weber	D30/121
5,404,838	A *	4/1995	Khan	119/52.1	8,336,493	B1 *	12/2012	Weber	119/52.1
D364,942	S *	12/1995	VanSkiver et al.	D30/121	D678,624	S *	3/2013	Willett	D30/121
D371,643	S *	7/1996	Lillelund et al.	D30/122	D682,484	S *	5/2013	Selman	D30/132
D374,109	S *	9/1996	Lillelund et al.	D30/121	D693,067	S *	11/2013	Scherbing et al.	D30/132
D383,797	S *	9/1997	Finnegan	D30/132	D702,892	S *	4/2014	Duvigneau	D30/121
D402,428	S *	12/1998	Chrisco	D30/121	D703,392	S *	4/2014	Desberg	D30/121
5,845,600	A *	12/1998	Mendes	119/51.5	8,701,595	B2 *	4/2014	Jin et al.	119/51.11
D406,924	S *	3/1999	Kolozsvari	D30/121	8,857,209	B2 *	10/2014	Wang	62/457.1
D432,279	S *	10/2000	Kim	D30/121	2002/0096120	A1 *	7/2002	Busha	119/51.5
6,142,099	A *	11/2000	Lange, Jr.	119/51.5	2003/0029867	A1 *	2/2003	Vicknair	220/23.87
D455,526	S *	4/2002	Chrisco et al.	D30/121	2004/0118356	A1 *	6/2004	Krishnamurthy	119/74
6,378,460	B1 *	4/2002	Skurdalsvold et al.	119/61.56	2004/0194714	A1 *	10/2004	Lee	119/54
D457,275	S *	5/2002	Skurdalsvold et al.	D30/121	2005/0061252	A1 *	3/2005	Meeks et al.	119/51.02
6,401,657	B1 *	6/2002	Krishnamurthy	119/51.11	2005/0160995	A1 *	7/2005	Graves, Jr.	119/78
6,477,981	B1 *	11/2002	Harper	119/52.4	2005/0217591	A1 *	10/2005	Turner et al.	119/51.02
6,557,368	B1 *	5/2003	DeMars	62/457.2	2005/0252457	A1 *	11/2005	Morosin et al.	119/51.13
6,651,592	B2 *	11/2003	Maddox et al.	119/720	2006/0196433	A1 *	9/2006	Ness	119/52.1
6,705,109	B2 *	3/2004	DeMars	62/457.2	2007/0012253	A1 *	1/2007	Zheng	119/51.02
6,739,284	B1 *	5/2004	Olive	119/74	2008/0202436	A1 *	8/2008	Romeu Guardia	119/52.1
6,789,503	B1 *	9/2004	Gao	119/51.11	2009/0173282	A1 *	7/2009	Wu et al.	119/51.02
D498,564	S *	11/2004	Northrop et al.	D30/121	2010/0263596	A1 *	10/2010	Schumann et al.	119/51.02
6,863,025	B2 *	3/2005	Ness	119/72	2011/0146580	A1 *	6/2011	Jalbert et al.	119/51.02
6,880,484	B1 *	4/2005	Lee	119/74	2012/0125263	A1 *	5/2012	Northrop et al.	119/52.1
					2013/0233248	A1 *	9/2013	Veness et al.	119/56.1
					2013/0269620	A1 *	10/2013	Qiu	119/56.1

* cited by examiner

FIG. 1

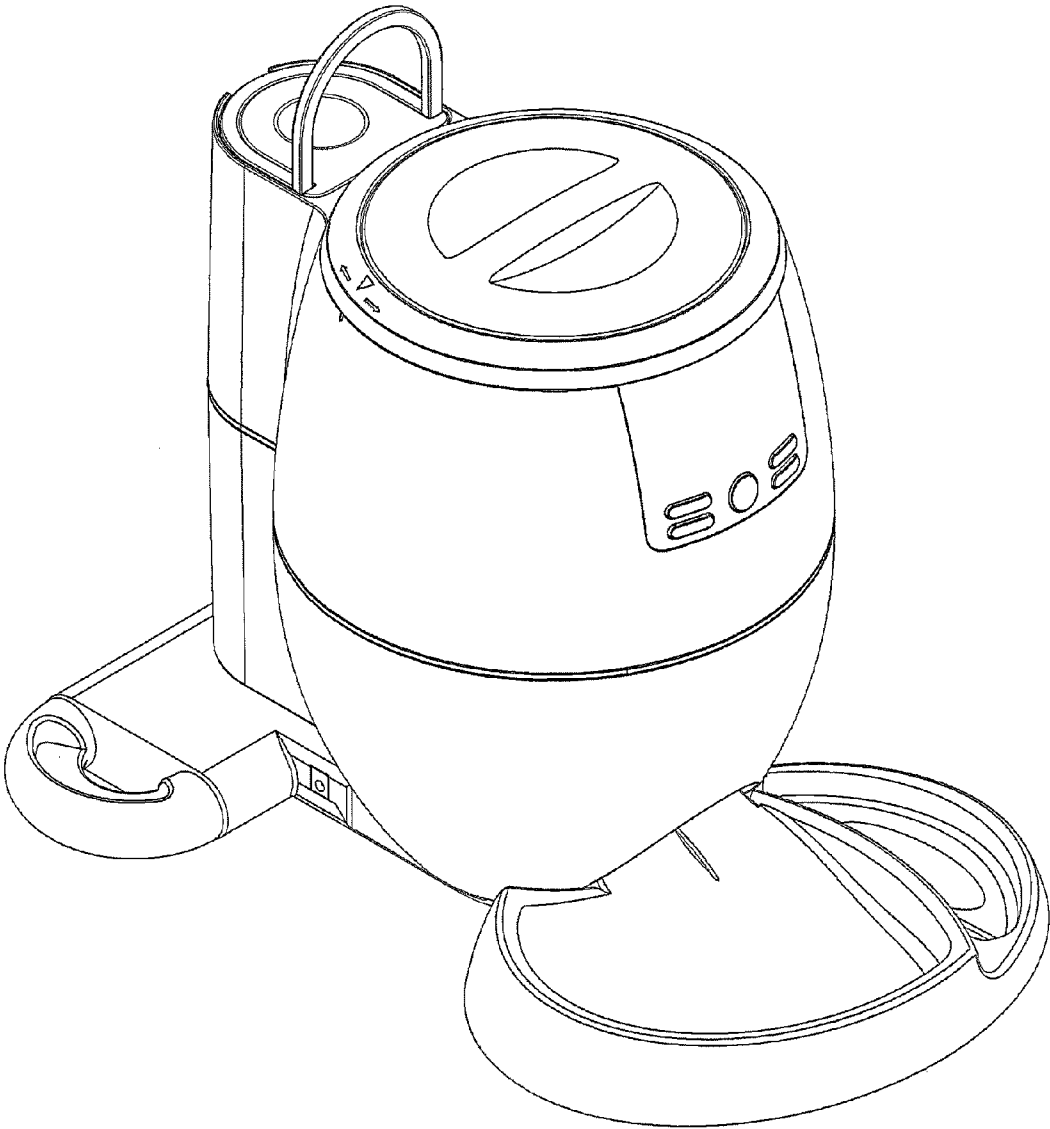


FIG. 2

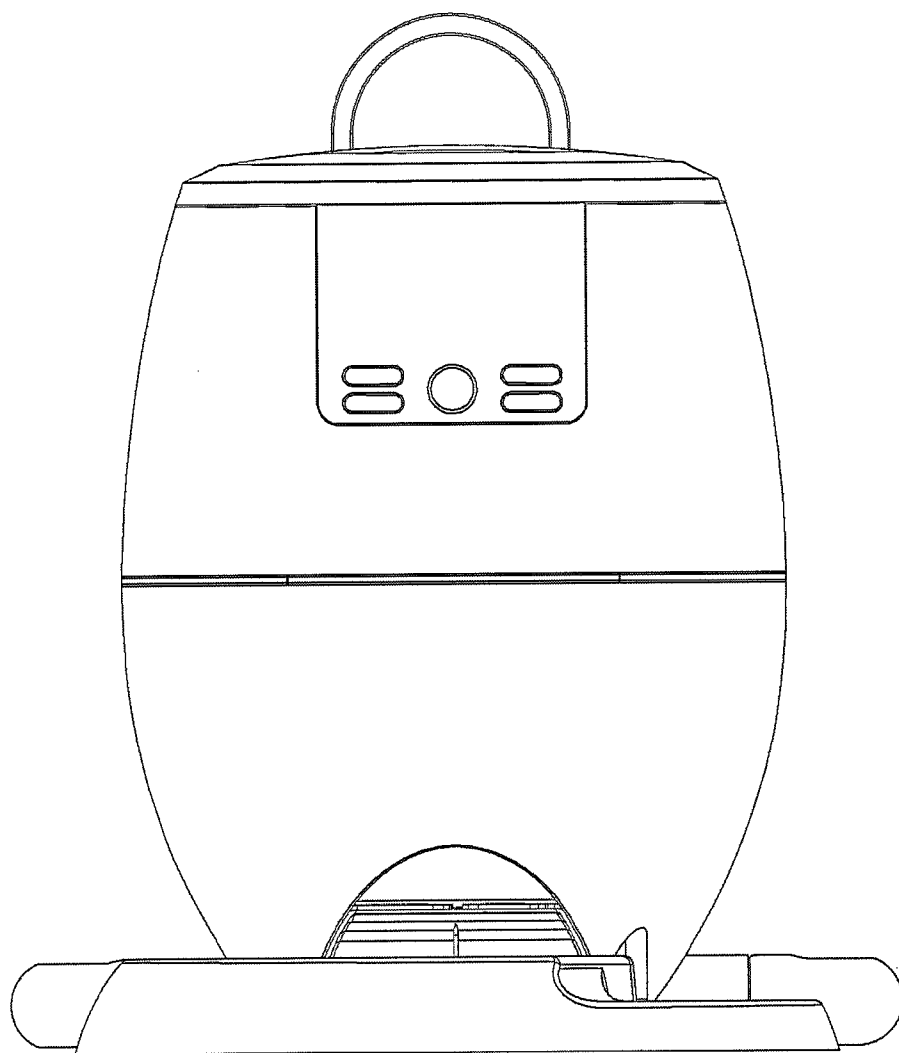


FIG. 3

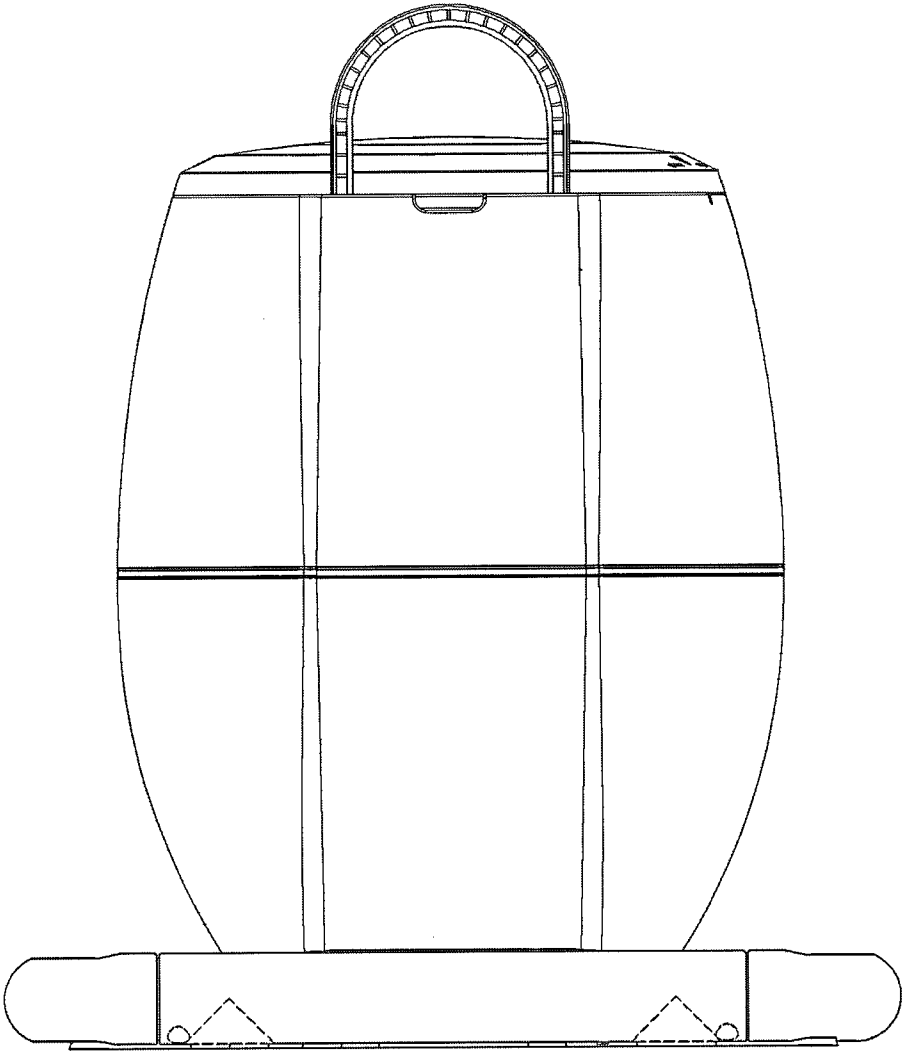


FIG. 4

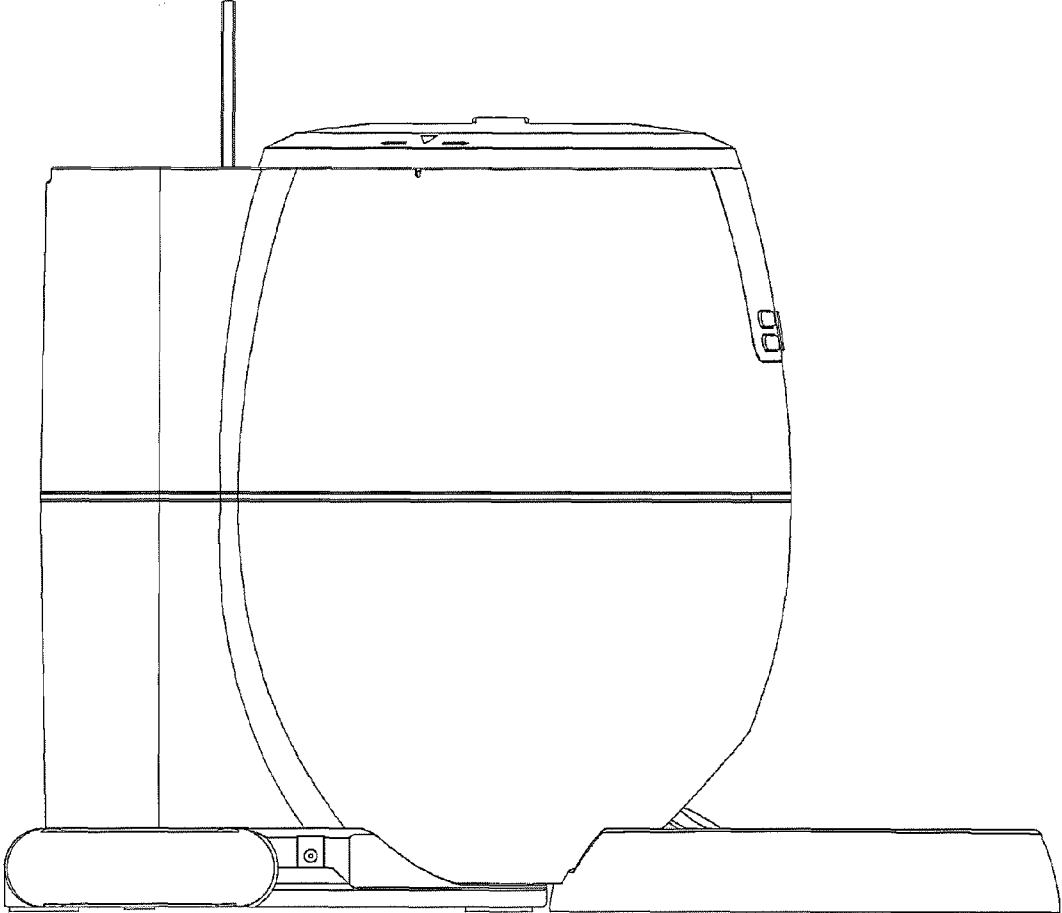


FIG. 5

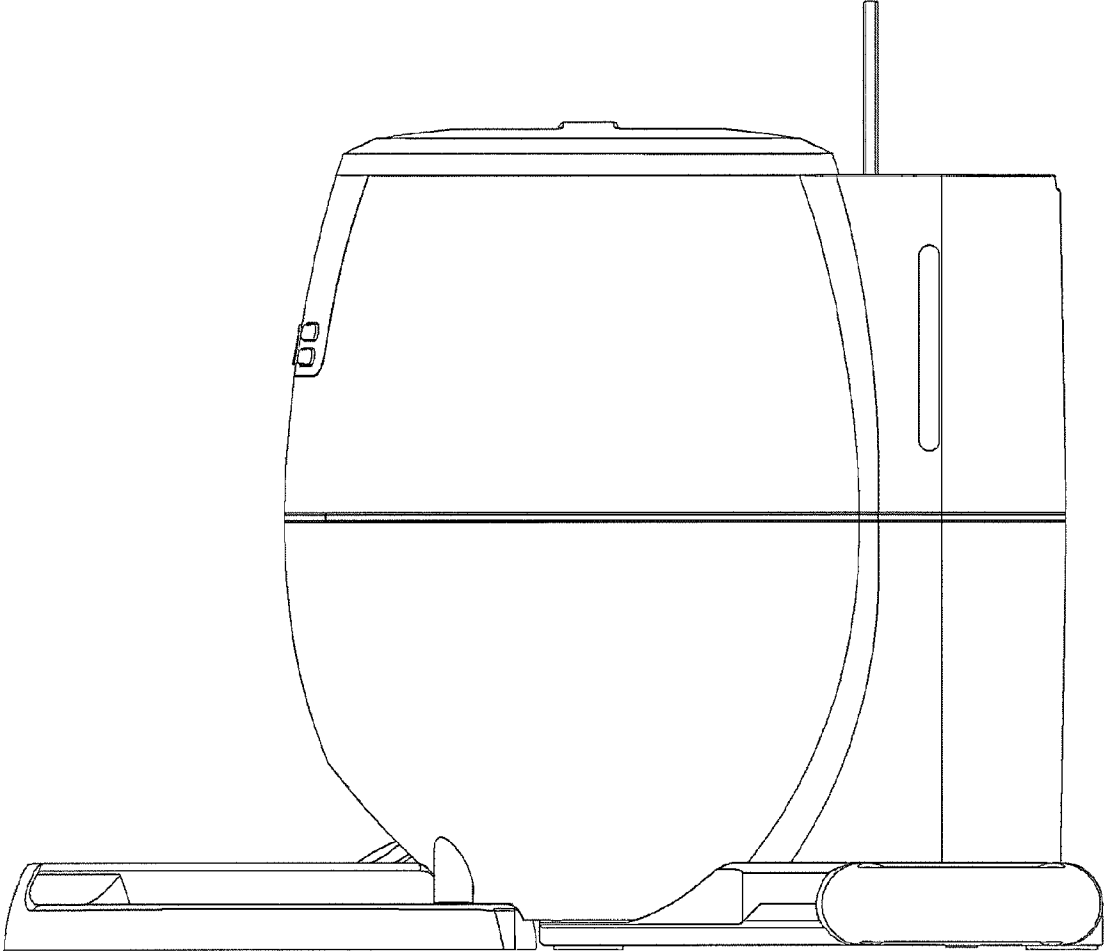


FIG. 6

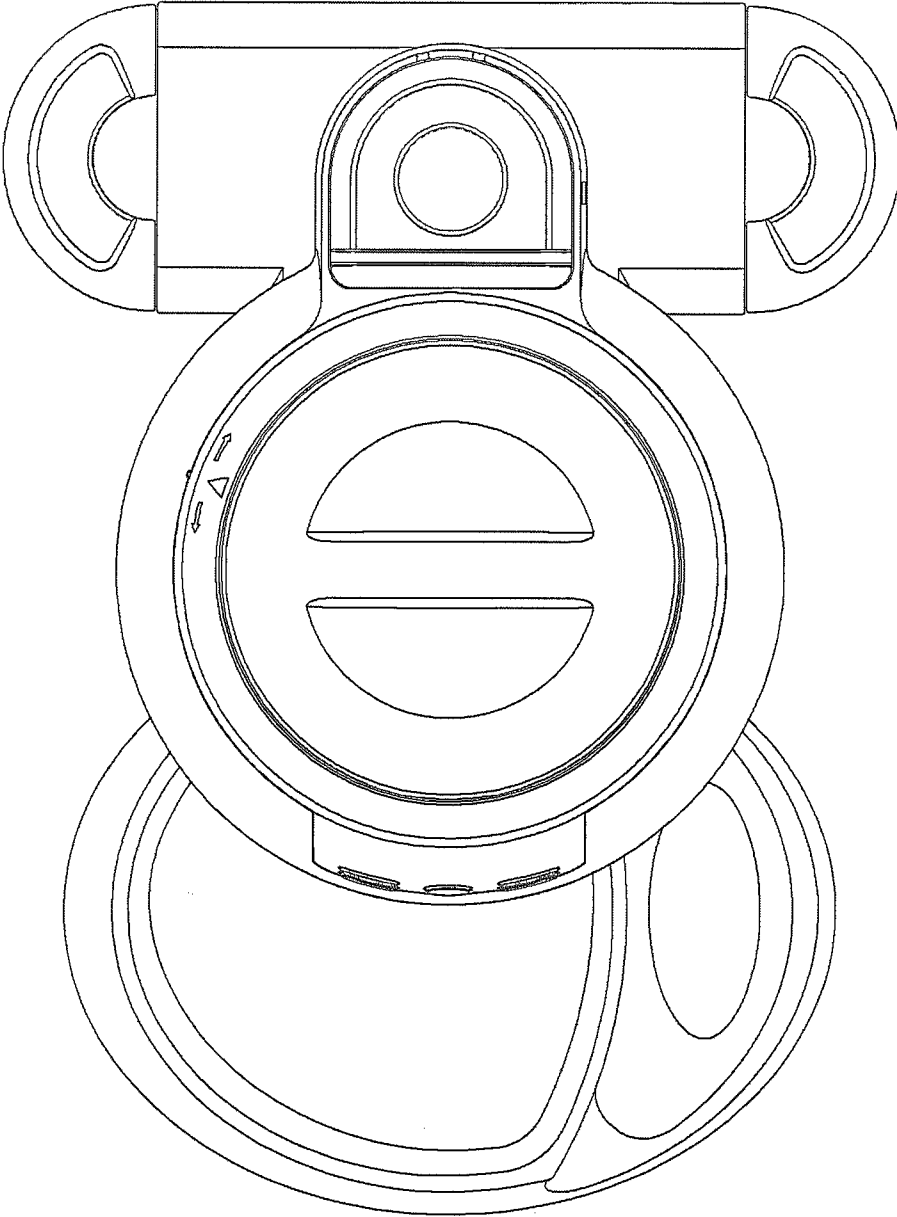


FIG. 7

