



US00D881678S

(12) **United States Design Patent**
Huang et al.

(10) **Patent No.:** **US D881,678 S**
(45) **Date of Patent:** **** Apr. 21, 2020**

- (54) **LOCK ESCUTCHEON ASSEMBLY**
- (71) Applicant: **TAIWAN FU HSING INDUSTRIAL CO., LTD.**, Kaohsiung (TW)
- (72) Inventors: **Chao-Ming Huang**, Kaohsiung (TW);
Chi-Ming Chen, Kaohsiung (TW)
- (73) Assignee: **Taiwan Fu Hsing Industrial Co., Ltd.**,
Kaohsiung (TW)
- (**) Term: **15 Years**
- (21) Appl. No.: **29/673,459**
- (22) Filed: **Dec. 14, 2018**
- (30) **Foreign Application Priority Data**

D365,744	S	*	1/1996	Leung	D8/331
D381,253	S	*	7/1997	Guidotti	D8/331
5,987,945	A	*	11/1999	Ruano Aramburu	E05B 47/0692
						70/107
D533,047	S	*	12/2006	Wright	D8/330
D533,762	S	*	12/2006	Wright	D8/330
D533,763	S	*	12/2006	Wright	D8/330
D553,953	S	*	10/2007	Roberts	D8/330
D595,109	S	*	6/2009	Doucet	D8/330
D607,303	S	*	1/2010	Kim	D8/331
D626,633	S	*	11/2010	Montgomery	D23/254
D682,657	S	*	5/2013	Roberts, III	D8/331
D682,658	S	*	5/2013	Cramer	D8/331
D736,591	S	*	8/2015	Groleski	D8/330
D736,596	S	*	8/2015	Warmenhoven	D8/350
D737,661	S	*	9/2015	Chan	D8/330
D772,691	S	*	11/2016	Han	D8/330
D790,951	S	*	7/2017	Ferreira Sanchez	D8/331
D792,192	S	*	7/2017	Huang	D8/331

(Continued)

Oct. 11, 2018 (TW) 107306011

- (51) **LOC (12) Cl.** **11-05**
- (52) **U.S. Cl.**

USPC **D8/350**

(58) **Field of Classification Search**

USPC D8/350, 351, 352, 353, 330, 331, 336,
D8/338, 339, 340, 343, 300, 301;
D10/108, 123, 125, 156, 158, 162, 169,
D10/171, 174, 177, 184

CPC G05B 19/00; G05B 15/00; E05B 49/00;
E05B 49/02; E05B 9/00; E05B 17/00;
E05B 37/00; E05B 3/00; E05B 13/103;
E05B 1/00; E05B 47/00; Y10T 70/8324;
Y10T 70/8459; Y10T 70/8514; Y10T
70/8568

See application file for complete search history.

(56) **References Cited**

U.S. PATENT DOCUMENTS

D349,037	S	*	7/1994	Carsello	D8/350
D351,982	S	*	11/1994	Chen	D8/301

Primary Examiner — Mark A Goodwin
Assistant Examiner — Benjamin M Weeks
 (74) *Attorney, Agent, or Firm* — Rosenberg, Klein & Lee

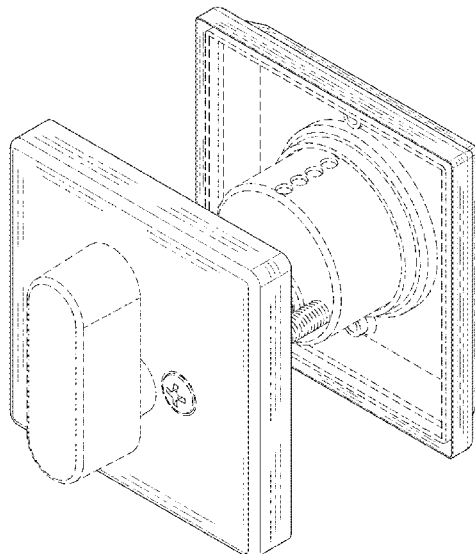
(57) **CLAIM**

The ornamental design for a lock escutcheon assembly, as shown and described.

DESCRIPTION

FIG. 1 is a perspective view of the lock escutcheon assembly showing our new design;
 FIG. 2 is a front elevational view thereof;
 FIG. 3 is a rear front elevational view thereof;
 FIG. 4 is a left side elevational view thereof;
 FIG. 5 is a right side elevational view thereof;
 FIG. 6 is a top plan view thereof;
 FIG. 7 is a bottom plan view thereof; and
 FIG. 8 is another perspective view thereof.
 The broken lines represent portions of the lock escutcheon assembly that form no part of the claimed design.

1 Claim, 8 Drawing Sheets



(56)

References Cited

U.S. PATENT DOCUMENTS

D803,027 S * 11/2017 Huang D8/331

* cited by examiner

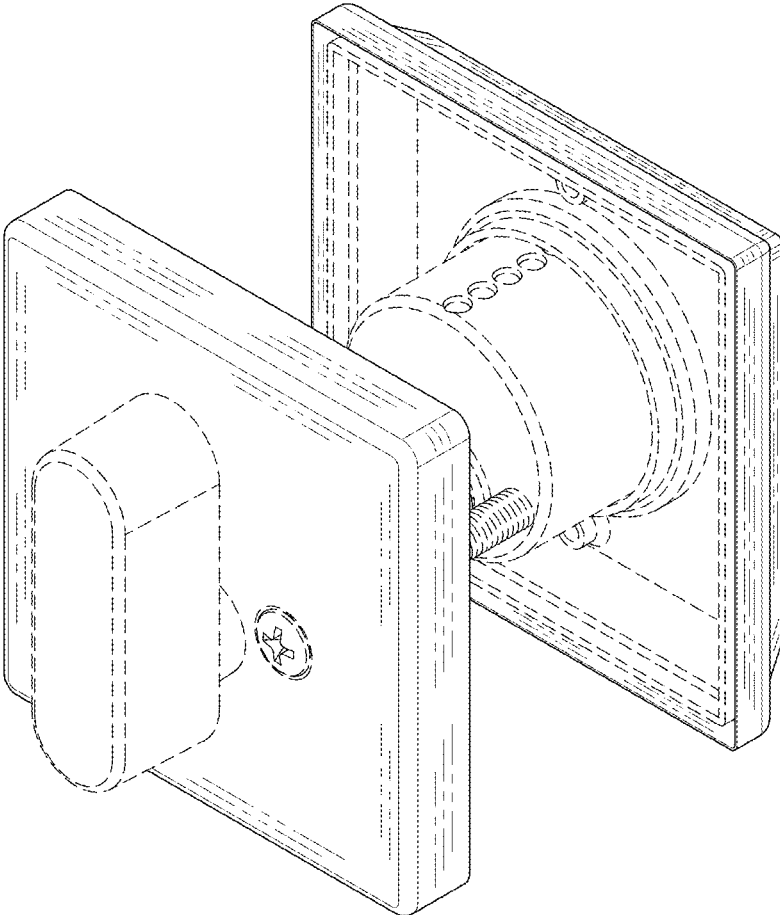


FIG.1

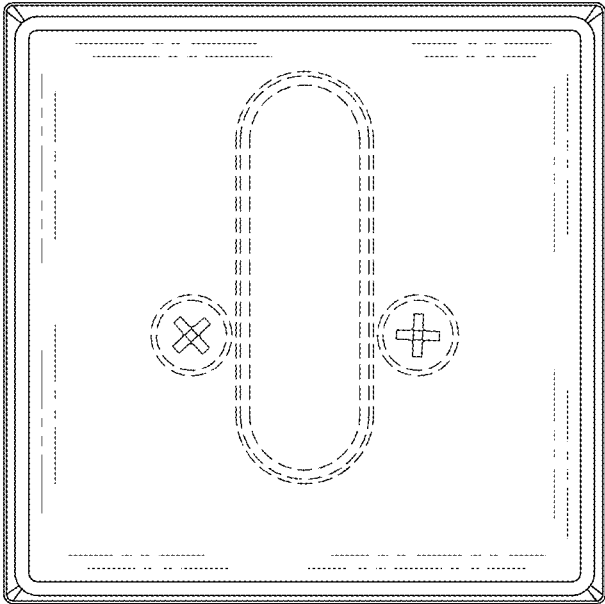


FIG.2

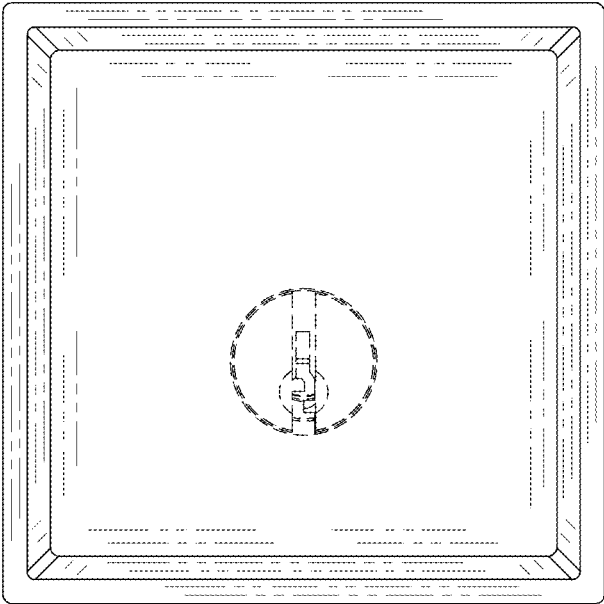


FIG.3

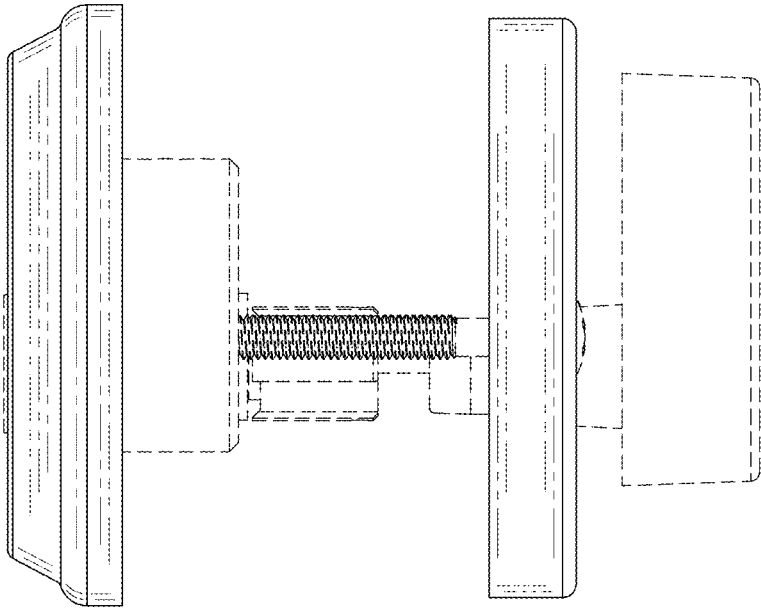


FIG.4

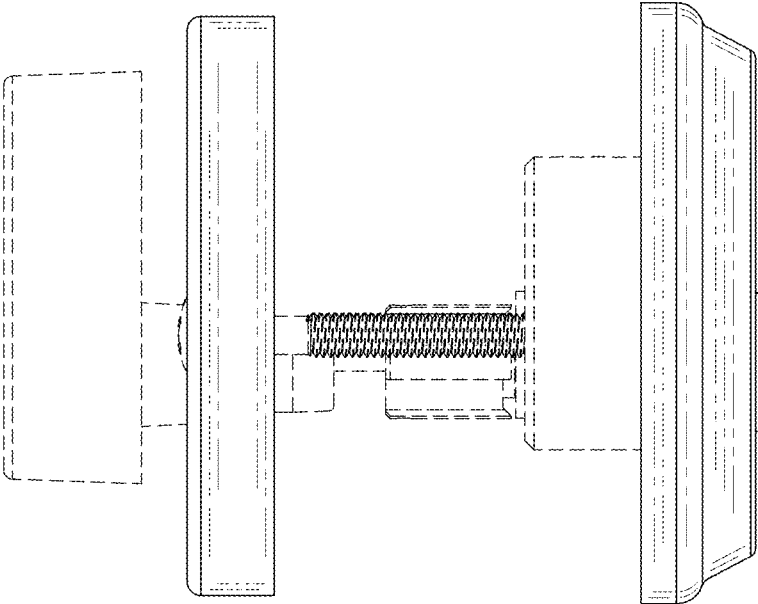


FIG.5

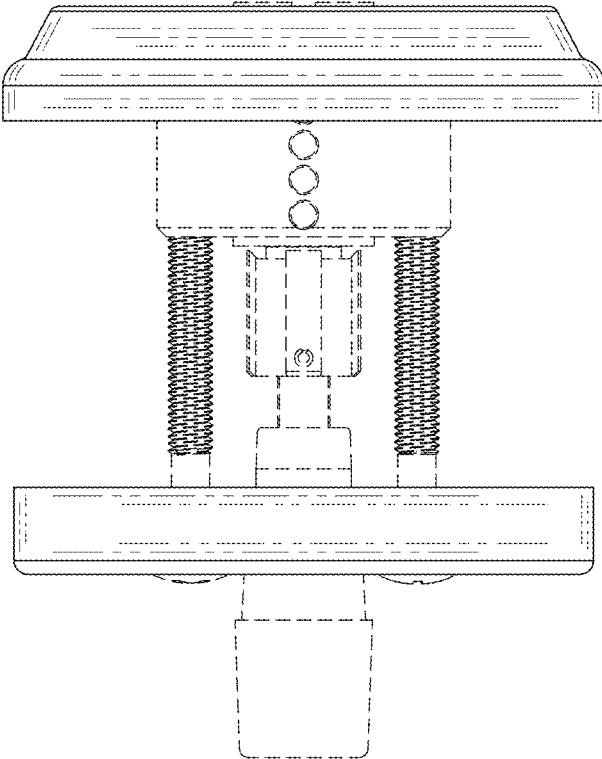


FIG.6

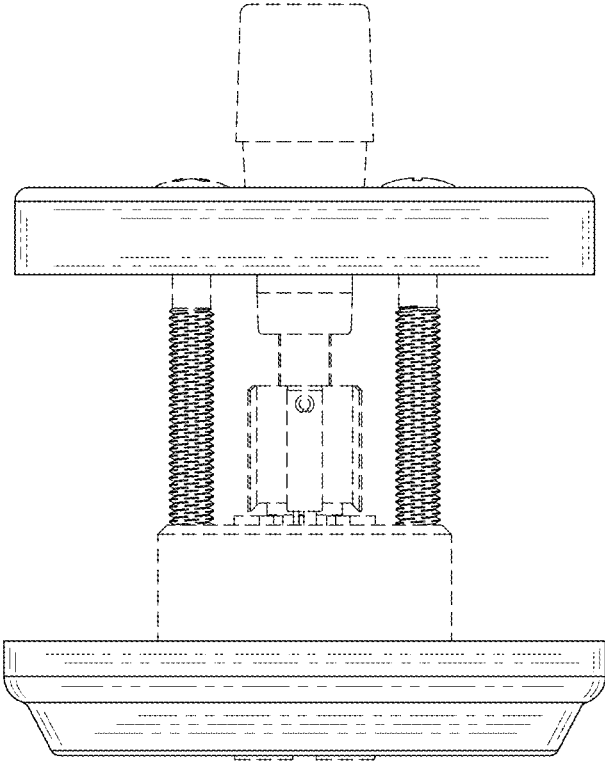


FIG.7

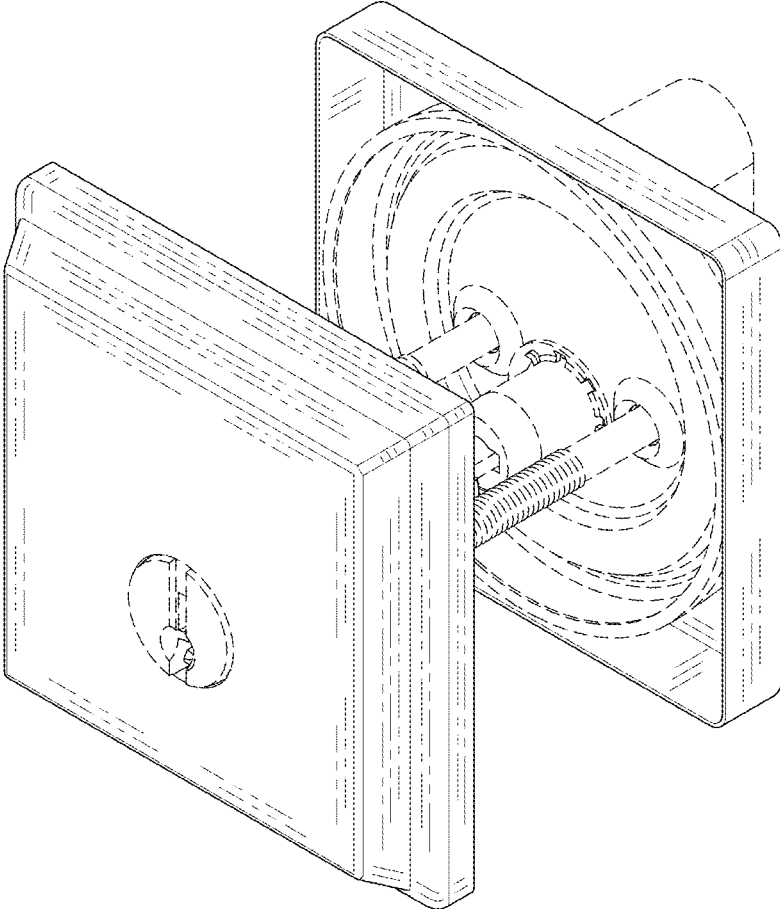


FIG.8