



US00D469687S

(12) **United States Design Patent** (10) **Patent No.:** **US D469,687 S**
Larian (45) **Date of Patent:** **** Feb. 4, 2003**

(54) **TRANSPARENT DISPLAY PACKAGING**

D303,088 S * 8/1989 Fireman D9/418
5,040,683 A * 8/1991 Marsilio 206/320
D320,346 S * 10/1991 Wagner D9/415

(76) Inventor: **Isaac Larian**, 237 Carolwood, Los Angeles, CA (US) 90077

(**) Term: **14 Years**

* cited by examiner

(21) Appl. No.: **29/158,530**

Primary Examiner—Prabhakar Deshmukh
(74) *Attorney, Agent, or Firm*—Oppenheimer Wolff & Donnelly LLP

(22) Filed: **Apr. 3, 2002**

(57) **CLAIM**

(51) **LOC (7) Cl.** **09-03**

The ornamental design for a transparent display packaging, as shown and described.

(52) **U.S. Cl.** **D9/415**; D9/418

(58) **Field of Search** D9/415, 418, 414, D9/430, 431, 432, 337, 416; 229/111, 112, 116.1, 117.09, 117.19, 117.21, 117.23, 117.24, 162; 206/769, 770, 771, 349, 776, 806

DESCRIPTION

(56) **References Cited**

U.S. PATENT DOCUMENTS

1,268,318 A * 6/1918 Brown 229/117.09
2,483,030 A * 9/1949 Arneson 229/117.21
2,591,593 A * 4/1952 Nolan 229/117.09
3,001,688 A * 9/1961 Hokenson 229/117.21
D265,723 S * 8/1982 Rosenthal D9/418

FIG. 1 is a perspective view of my transparent display packaging;
FIG. 2 is a front view thereof;
FIG. 3 is a right side view thereof with the left side view being a mirror image of the right side view;
FIG. 4 is a rear view thereof;
FIG. 5 is a top plan view thereof;
FIG. 6 is a bottom plan view thereof; and,
FIG. 7 is a perspective view of an alternative embodiment.

1 Claim, 3 Drawing Sheets

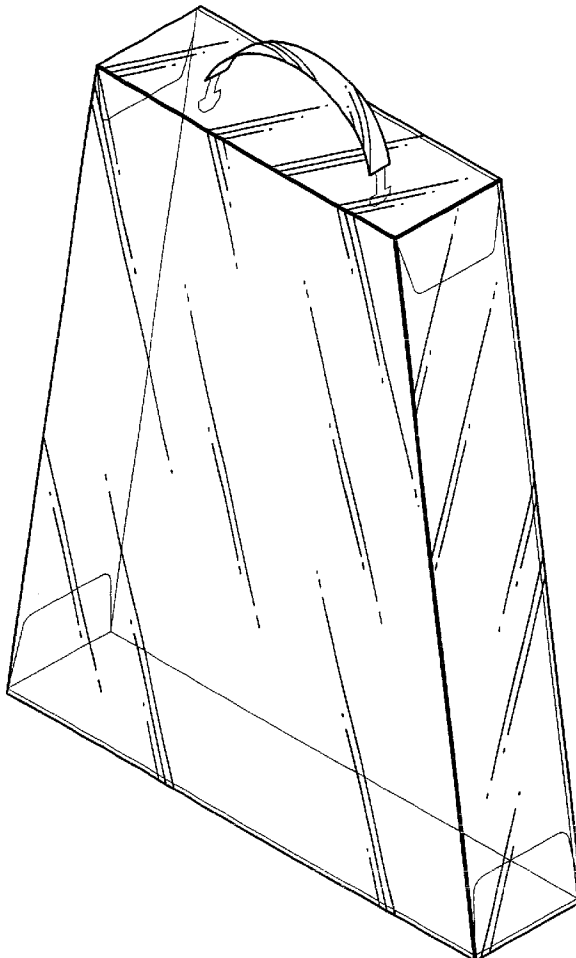


FIG. 2

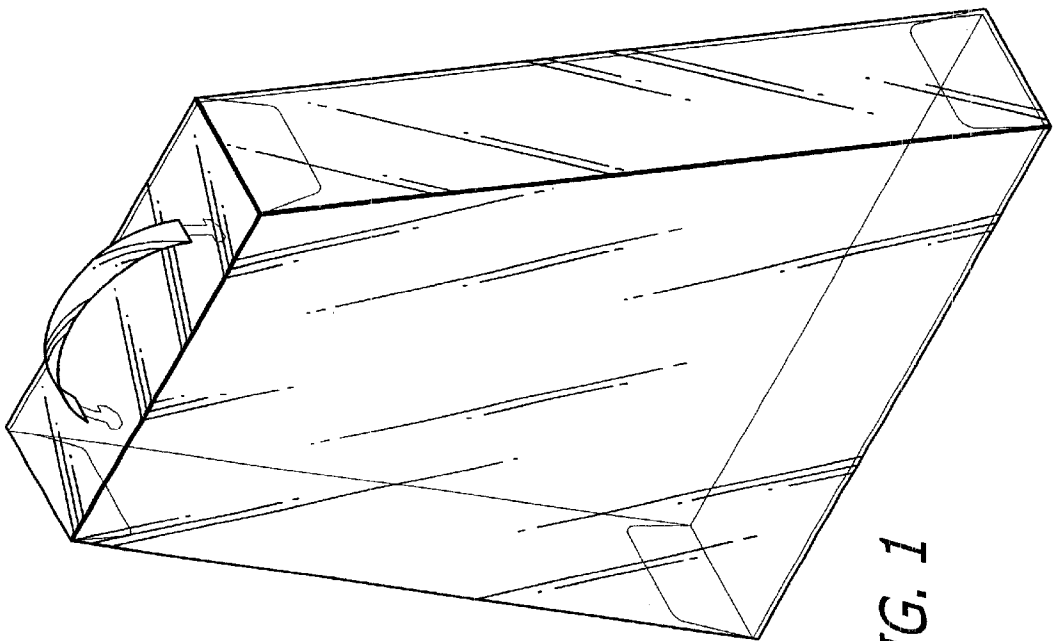
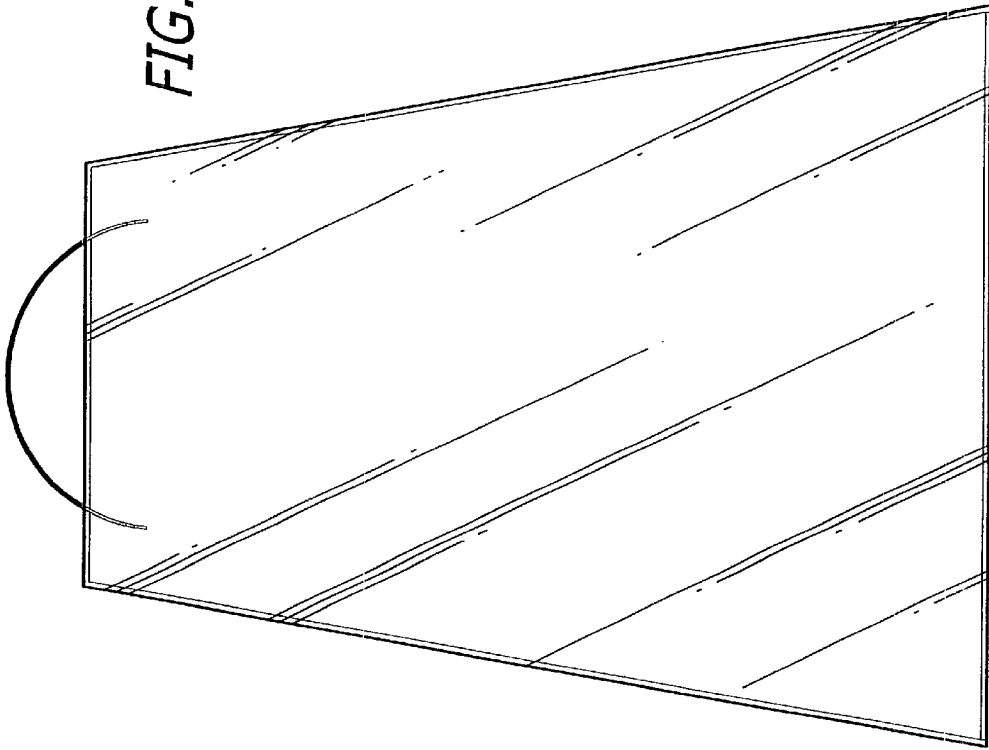


FIG. 1

FIG. 4

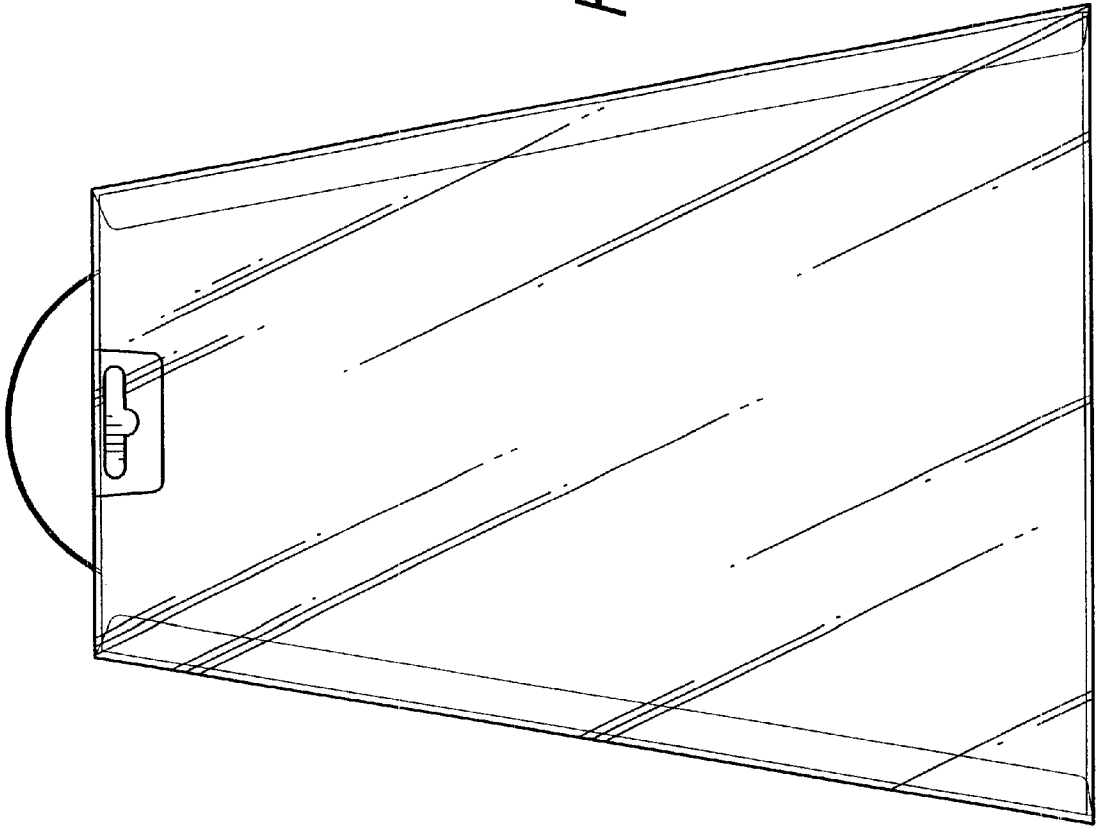


FIG. 3

