



US00D569036S

(12) **United States Design Patent**
Gutfleisch et al.

(10) **Patent No.:** **US D569,036 S**

(45) **Date of Patent:** **** May 13, 2008**

(54) **SOAP BAR**

D547,492 S * 7/2007 Caroen et al. D28/8.1

(75) Inventors: **Harald Gutfleisch**, Mannheim (DE);
Richard William Seymour, London
(GB); **Michael James Webster**,
London (GB)

FOREIGN PATENT DOCUMENTS

GB 2102496 * 6/2001

OTHER PUBLICATIONS

Dove Toilet Bar, on sale prior to Jan. 30, 2006 (photo).

* cited by examiner

Primary Examiner—Jennifer Rivard

(74) *Attorney, Agent, or Firm*—Alan A. Bornstein

(73) Assignee: **Conopco, Inc.**, Englewood Cliffs, NJ
(US)

(**) Term: **14 Years**

(57) **CLAIM**

(21) Appl. No.: **29/271,947**

The ornamental design for a soap bar, as shown and described.

(22) Filed: **Jan. 30, 2007**

(51) **LOC (8) Cl.** **28-03**

(52) **U.S. Cl.** **D28/8.1**

(58) **Field of Classification Search** 510/141,
510/146–148, 440–442, 447–450, 298; D28/4,
D28/5, 8.1, 8.2

See application file for complete search history.

DESCRIPTION

FIG. 1 is a perspective view of our soap bar from above, one side and one end;

FIG. 2 is a perspective view of our soap bar from one side and one end;

FIG. 3 is a top plan view of our soap bar,

FIG. 4 is a side elevational view of our soap bar, the opposite side view being a mirror image thereof;

FIG. 5 is a bottom plan view of our soap bar; and,

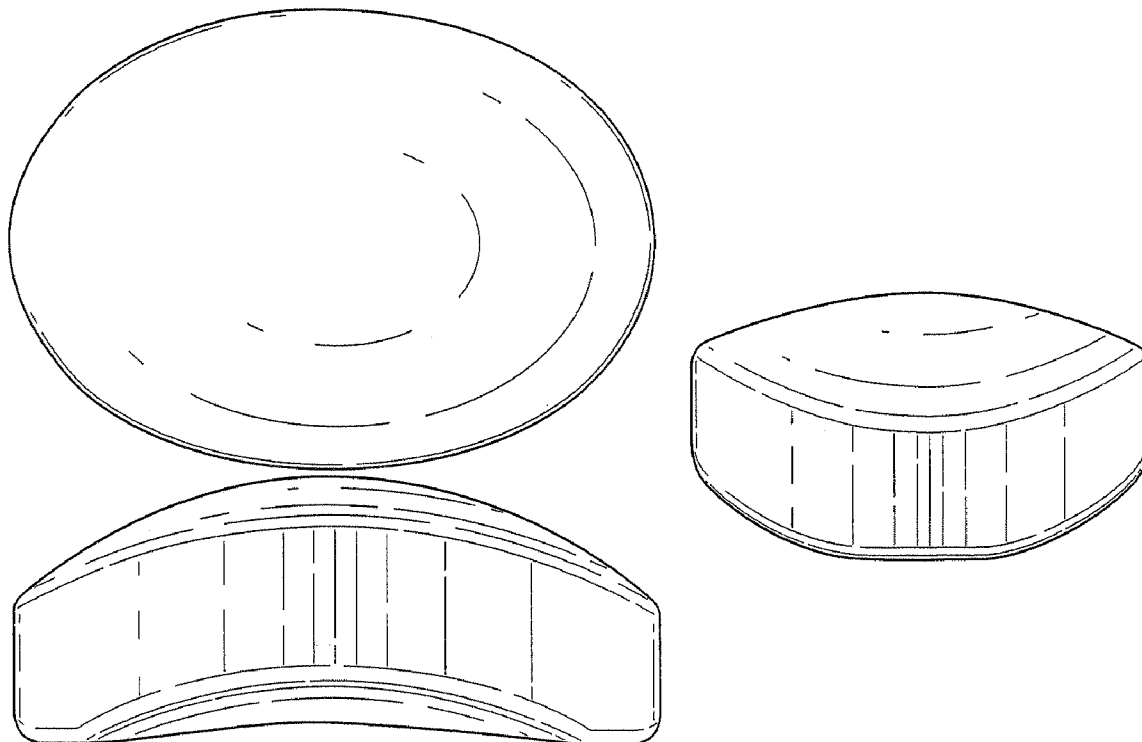
FIG. 6 is an end elevational view of our soap bar, the opposite end view being a mirror image thereof.

(56) **References Cited**

U.S. PATENT DOCUMENTS

- 2,792,349 A 5/1957 Le Vier et al.
- D255,727 S * 7/1980 Grodin D28/8.1
- D330,093 S * 10/1992 Best et al. D28/8.1
- D348,541 S * 7/1994 Crawford D28/8.1
- D470,271 S * 2/2003 Crawford D28/8.1

1 Claim, 3 Drawing Sheets



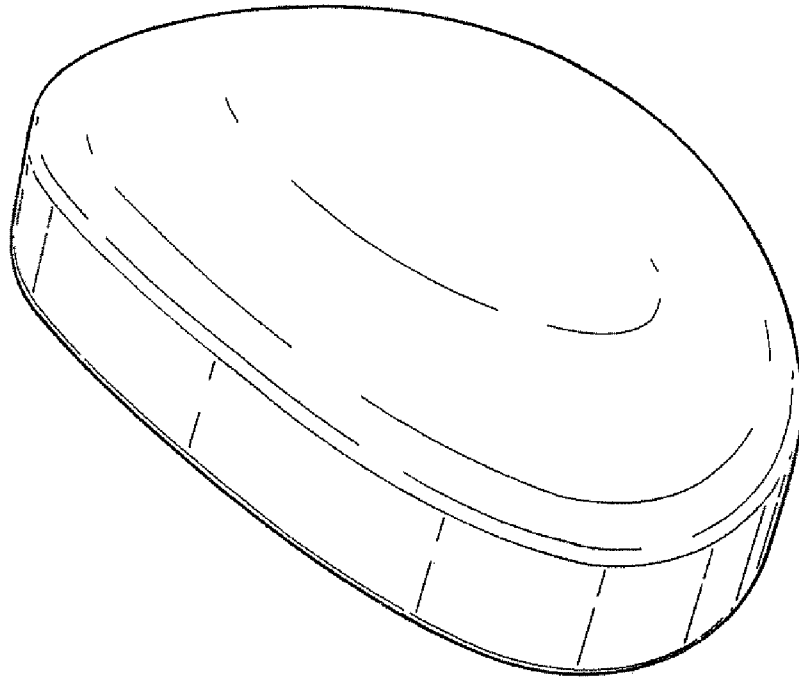


Fig.1.

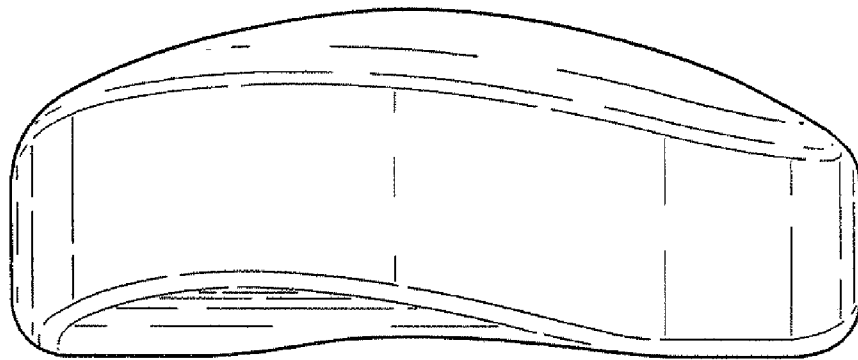


Fig.2.

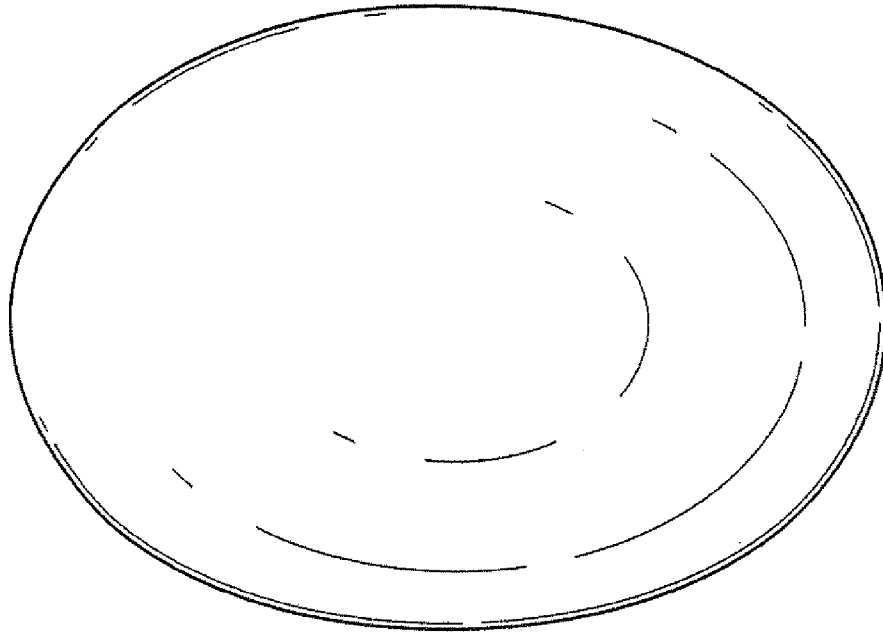


Fig.3.

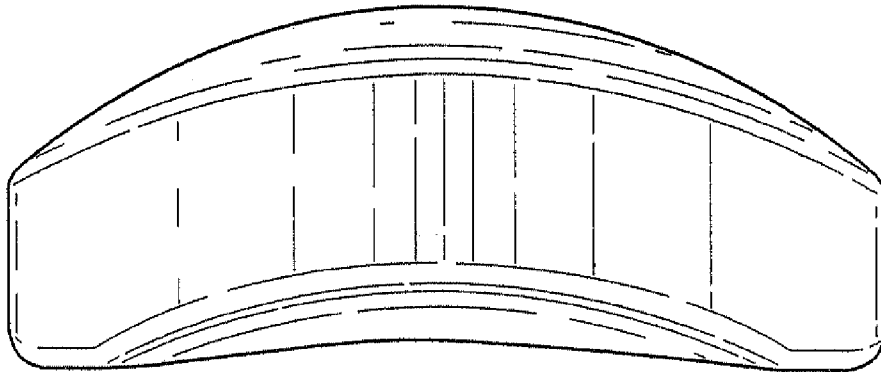


Fig.4.

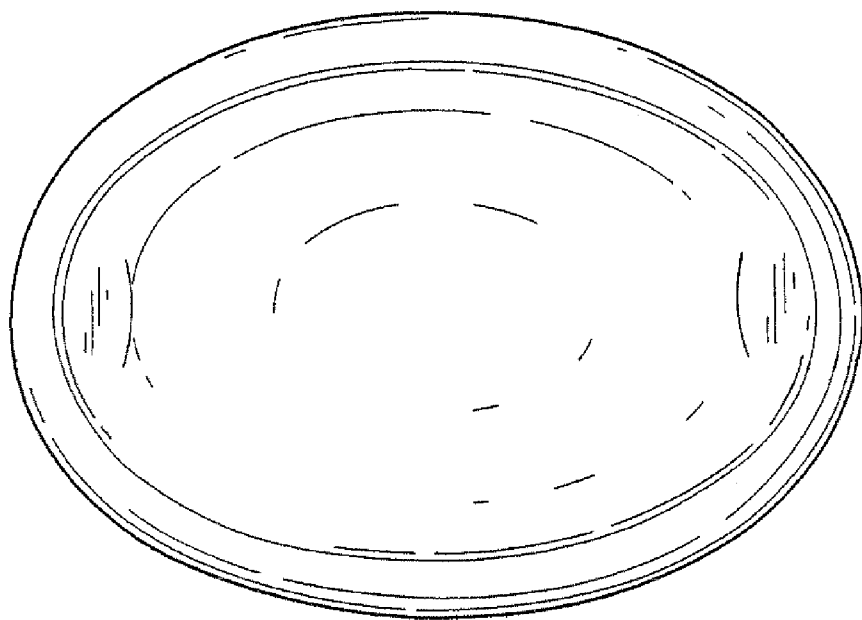


Fig.5.

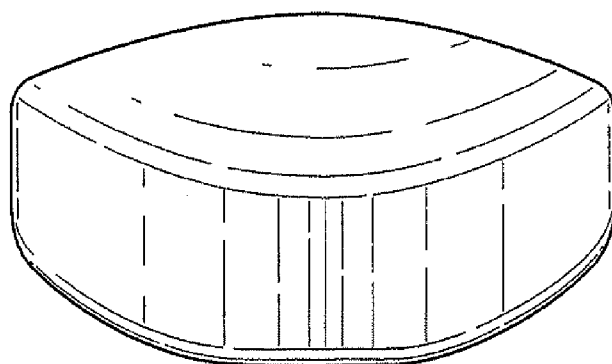


Fig.6.