



US00D364375S

United States Patent [19]

Sakashita et al.

[11] Patent Number: **Des. 364,375**

[45] Date of Patent: ****Nov. 21, 1995**

[54] **SMALL ELECTRIC MOTOR**

[75] Inventors: **Hiroshi Sakashita; Norihide Yoshida; Katsuyoshi Miyasaka**, all of Nagano, Japan

[73] Assignee: **Sankyo Seiki Mfg. Co., Ltd.**, Nagano, Japan

[**] Term: **14 Years**

[21] Appl. No.: **17,075**

[22] Filed: **Jan. 3, 1994**

[30] Foreign Application Priority Data

Jul. 7, 1993 [JP] Japan 05-20797
Jul. 7, 1993 [JP] Japan 05-20798

[52] U.S. Cl. **D13/112**

[58] Field of Search D13/112, 113,
D13/114; 310/237, 268, 40 R, 58, 227,
40 MM

[56] References Cited

U.S. PATENT DOCUMENTS

D. 238,177 12/1975 Ohishi D13/112

D. 291,797 9/1987 Spiegelstein D13/112
D. 294,141 2/1988 Ueda D13/112
D. 301,454 6/1989 Hava et al. D13/112
4,093,897 6/1978 Fujita 310/268

FOREIGN PATENT DOCUMENTS

2-71461 3/1989 Japan .

Primary Examiner—Brian N. Vinson
Assistant Examiner—Robin V. Taylor
Attorney, Agent, or Firm—McAulay Fisher Nissen Goldberg & Kiel

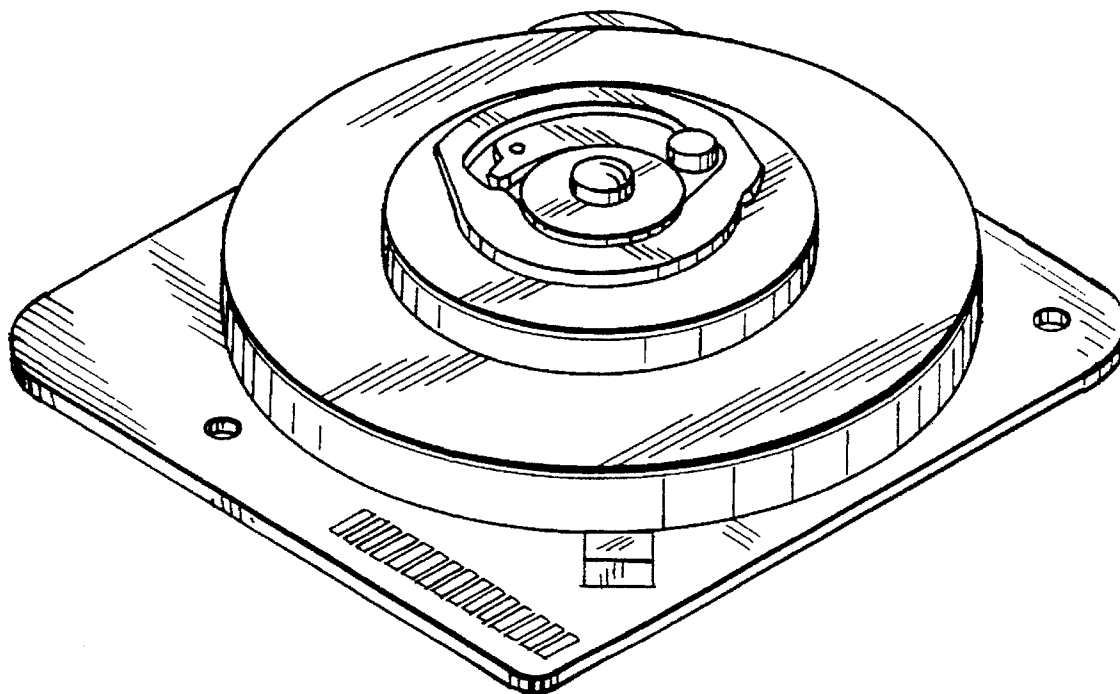
[57] CLAIM

The ornamental design for a small electric motor, as shown and described.

DESCRIPTION

FIG. 1 is a top, left perspective view of a small electric motor showing our new design;
FIG. 2 is a top view thereof;
FIG. 3 is a left side view thereof;
FIG. 4 is a right side view thereof; and,
FIG. 5 is a bottom view thereof.

1 Claim, 1 Drawing Sheet



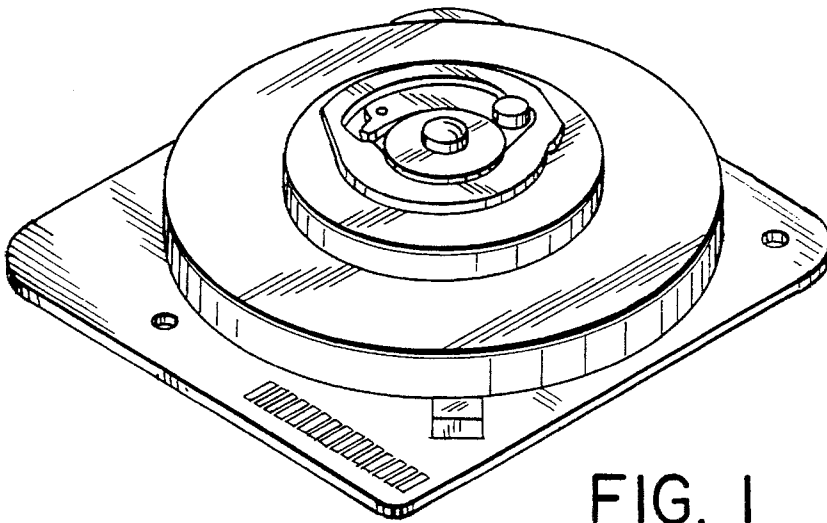


FIG. 1

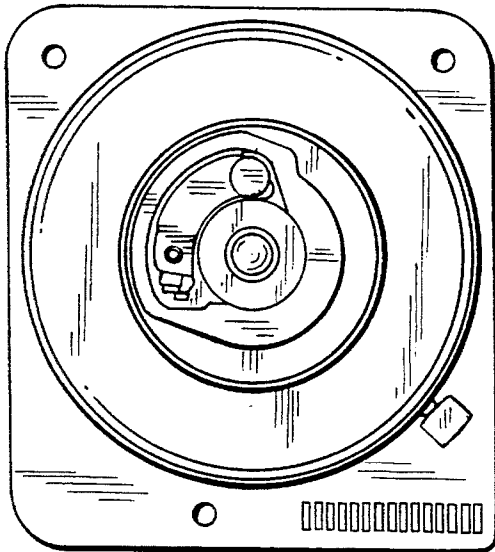


FIG. 2

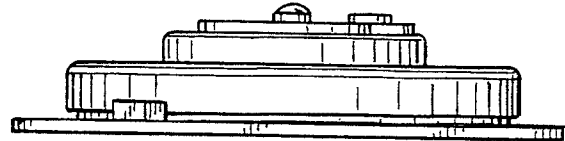


FIG. 3

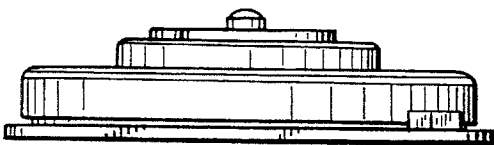


FIG. 4

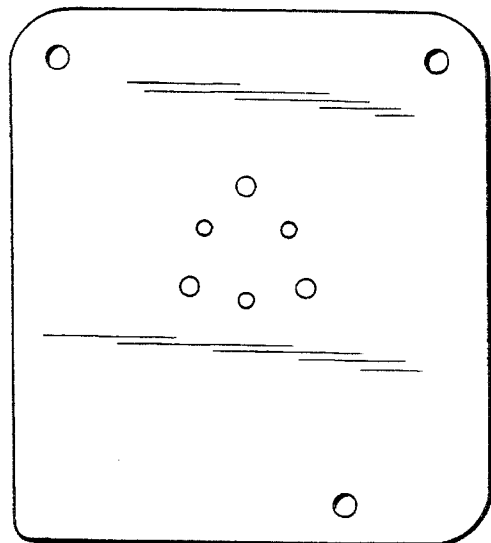


FIG. 5