



US00D827309S

(12) **United States Design Patent**  
**Nicoline**

(10) **Patent No.:** **US D827,309 S**

(45) **Date of Patent:** **\*\* Sep. 4, 2018**

- (54) **MAKEUP BRUSH**
- (71) Applicant: **Paris Presents Incorporated**, Gurnee, IL (US)
- (72) Inventor: **Alyssa Carolyn Nicoline**, McHenry, IL (US)
- (73) Assignee: **PARIS PRESENTS INCORPORATED**, Gurnee, IL (US)

- D275,040 S 8/1984 Holloway
- D278,951 S 5/1985 Kalinsky
- D278,952 S 5/1985 Kalinsky
- D304,392 S 11/1989 Reich
- D312,729 S 12/1990 Auttajark
- D327,979 S 7/1992 Carranza
- D346,277 S 4/1994 Sherman et al.
- D361,236 S 8/1995 Murgalo

(Continued)

- (\*\*) Term: **15 Years**
- (21) Appl. No.: **29/596,356**

FOREIGN PATENT DOCUMENTS

WO 2012142545 10/2012

*Primary Examiner* — Wan Laymon  
*Assistant Examiner* — Clint A Samuel  
 (74) *Attorney, Agent, or Firm* — Quarles & Brady LLP

- (22) Filed: **Mar. 7, 2017**
- (51) **LOC (11) Cl.** ..... **04-99**
- (52) **U.S. Cl.**  
USPC ..... **D4/138**
- (58) **Field of Classification Search**  
USPC ..... D4/104, 110, 114, 116, 118, 119, 120, D4/121, 127, 128, 138, 132, 135, 199; D28/7, 57, 30, 73, 75, 76, 77, 89; D8/80, D8/83, 94, 107, 300, 301; D24/180; D32/51, 52; D19/108, 115, 125; 15/106, 15/159.1, 160, 176.1, 184, 190-194; 132/289, 294, 298, 313, 317, 320  
CPC ..... A46B 5/00; A46B 5/0016; A46B 5/26; A46B 5/005; A46B 2200/20; A46B 2200/104; A46B 2200/1046; A46B 2200/202; A46B 2200/108; A46B 2200/1086; A46B 2200/1093; A46B 17/04; A46B 11/00; A46B 11/001; A46B 11/0003; A46B 11/0006; A46B 11/0013; A46B 15/0055; A46B 15/0061; A46B 7/026; A61C 3/00; A61M 35/003; B05C 17/0205; B05C 17/04; B05C 1/06  
See application file for complete search history.

(57) **CLAIM**

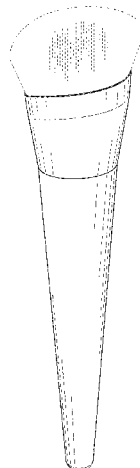
The ornamental design for a makeup brush, as shown and described.

**DESCRIPTION**

FIG. 1 is an isometric view of a front, top, and right side of an ornamental design for a makeup brush;  
 FIG. 2 is a front elevational view of the makeup brush of FIG. 1;  
 FIG. 3 is a rear elevational view of the makeup brush of FIG. 1;  
 FIG. 4 is a right side elevational view of the makeup brush of FIG. 1;  
 FIG. 5 is a left side elevational view of the makeup brush of FIG. 1;  
 FIG. 6 is a top plan view of the makeup brush of FIG. 1; and  
 FIG. 7 is a bottom plan view of the makeup brush of FIG. 1.  
 The dash-dash-dash-dash lines are for the purpose of illustrating environmental structure and form no part of the claimed design.

- (56) **References Cited**  
U.S. PATENT DOCUMENTS  
D238,631 S 2/1976 Leighton  
D258,240 S 2/1981 Takada

**1 Claim, 4 Drawing Sheets**





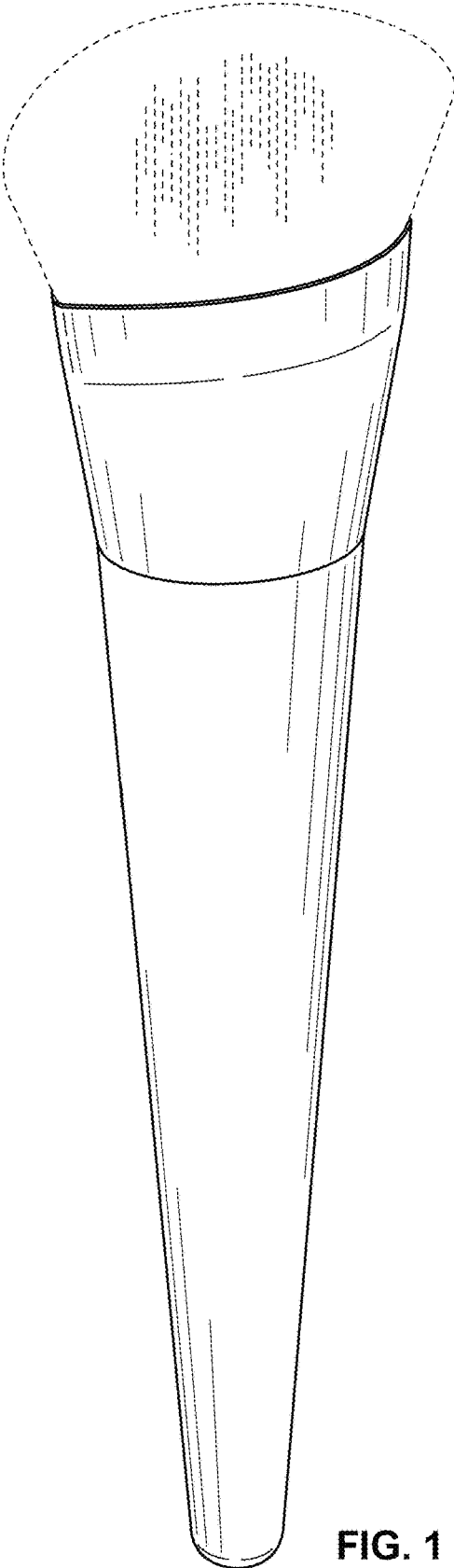


FIG. 1

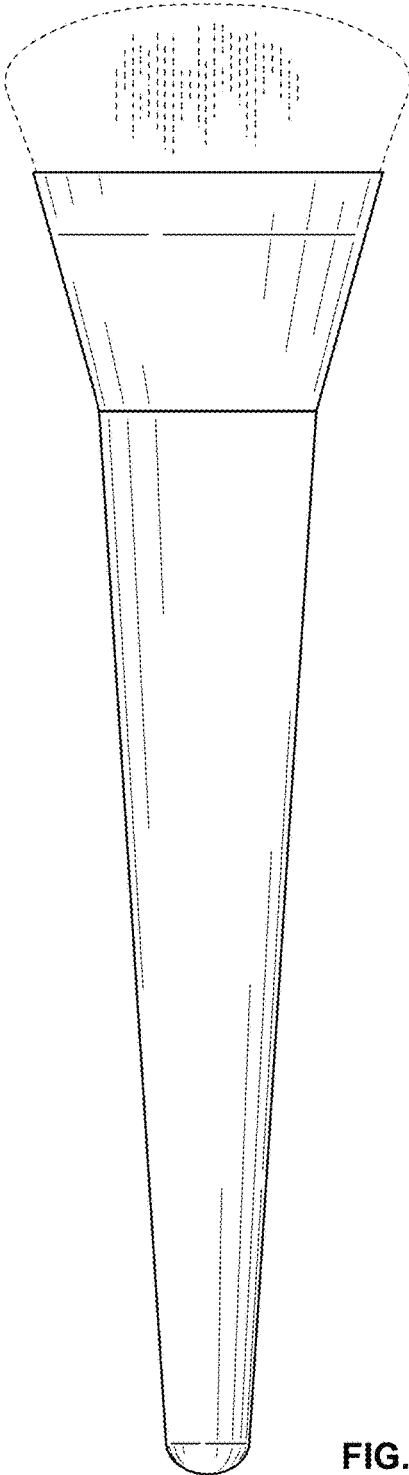


FIG. 2

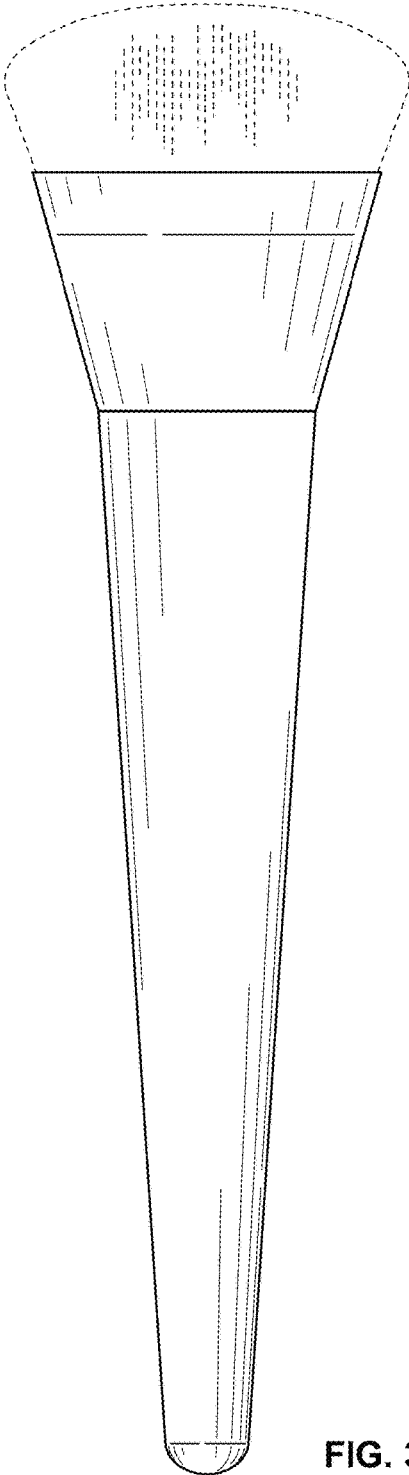


FIG. 3

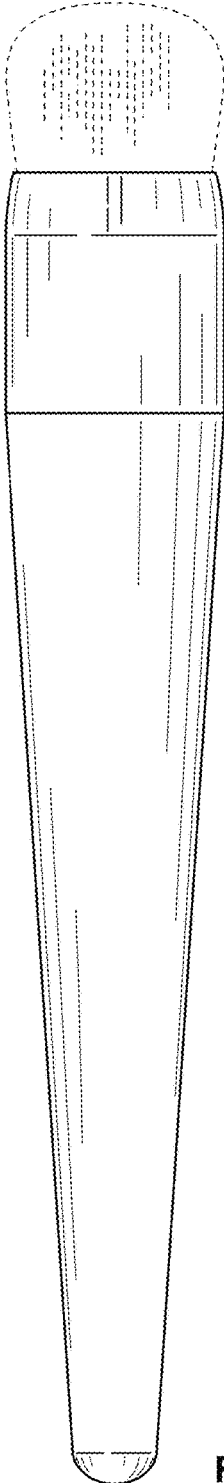


FIG. 4

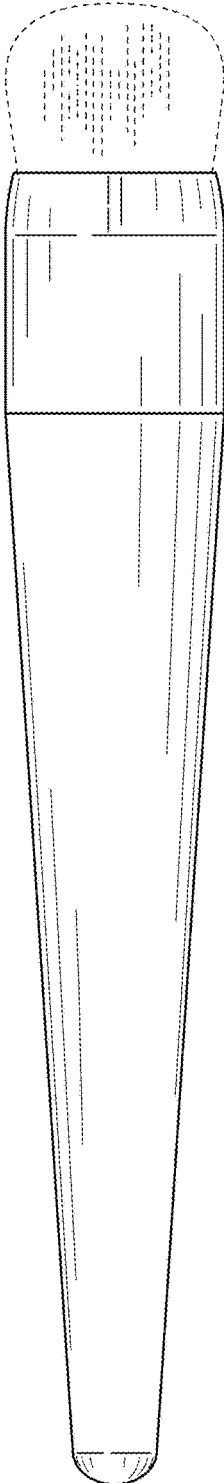


FIG. 5

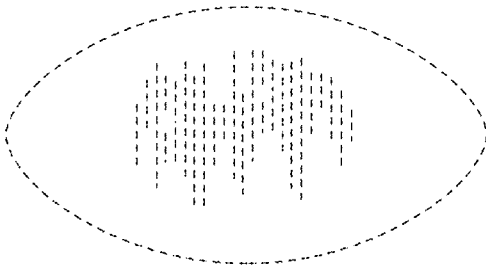


FIG. 6

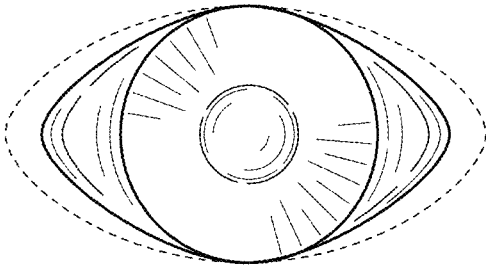


FIG. 7