

(12) **United States Design Patent** (10) **Patent No.:** **US D947,524 S**
Tan (45) **Date of Patent:** **** Apr. 5, 2022**

- (54) **BACKPACK WITH HOOKS AND SADDLE BAGS**
- (71) Applicant: **Thousand Oaks Corp.**, Irwindale, CA (US)
- (72) Inventor: **Roger Tan**, Chino, CA (US)
- (73) Assignee: **Thousand Oaks Corp.**, Irwindale, CA (US)
- (**) Term: **15 Years**
- (21) Appl. No.: **29/697,580**
- (22) Filed: **Jul. 10, 2019**
- (51) **LOC (13) Cl.** **03-01**
- (52) **U.S. Cl.**
 USPC **D3/217; D3/260**
- (58) **Field of Classification Search**
 USPC D3/216, 217, 260
 CPC A45F 3/04; A45F 2003/003; A45F 4/02;
 A45F 5/021; Y10S 224/92; Y10S 16/40;
 Y10S 224/922; Y10S 383/907; A01K
 97/06; A45C 11/20; A45C 5/06; A45C
 11/02; A45C 13/02; A45C 13/08; A45C
 3/00; A45C 7/0063
- See application file for complete search history.

- (56) **References Cited**
- U.S. PATENT DOCUMENTS
- | | | |
|-------------|---------|------------------|
| 258,393 A | 5/1882 | Endicott |
| 1,482,678 A | 2/1924 | Figley |
| 1,791,346 A | 2/1931 | Burch et al. |
| 2,102,977 A | 12/1937 | Shoemaker et al. |
| 2,316,833 A | 4/1943 | Baron |
| 2,595,463 A | 5/1952 | Kamps |
- (Continued)

- FOREIGN PATENT DOCUMENTS
- | | | |
|----|-------------|---------|
| CN | 101066048 A | 11/2007 |
| CN | 201360487 | 12/2009 |
- (Continued)

OTHER PUBLICATIONS

Flambeau Heritage 4007 Tackle Bag, unknown first available date, DicksSportingGoods.com [online], [site visited Nov. 24, 2020], Available from internet U RL: https://www.dickssportinggoods.com/p/flambeau-heritage-4007-tackle-bag-20fmbafimbhrtg3_70tbx/20fmbafimbhrtg370tbx?sku=21521402&camp=CSE:%E2%80%A6 (Year: 2020).

(Continued)

Primary Examiner — Jennifer L Watkins
 (74) *Attorney, Agent, or Firm* — J. Andrew Reed; Vincent J. Allen; Carstens & Cahoon, LLP

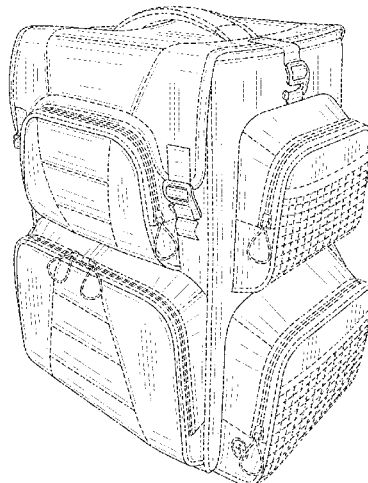
(57) **CLAIM**

The ornamental design for a backpack with hooks and saddle bags, as shown and described herein.

DESCRIPTION

FIG. 1 is a front elevation view of the backpack with hooks and saddle bags showing our new design; FIG. 2 is a rear elevation view thereof; FIG. 3 is a left side elevation view thereof; FIG. 4 is a right side elevation view thereof; FIG. 5 is a top plan view thereof; FIG. 6 is a bottom plan view thereof; FIG. 7 is a left side perspective view thereof; FIG. 8 is a right side perspective view thereof; FIG. 9 is a front perspective closed interior view thereof; and, FIG. 10 is a front perspective open interior view thereof. The broken lines on and adjacent to unshaded surfaces depict portions of the backpack with hooks and saddle bags and form no part of the claim. The broken lines on surfaces with surface shading depict stitching and zipper track and form no part of the claim.

1 Claim, 10 Drawing Sheets



US D947,524 S

(56)

References Cited

U.S. PATENT DOCUMENTS

2,616,209	A	11/1952	Ploen	D620,254	S
2,717,470	A	9/1955	Holdeman	7,937,884	B1
2,730,833	A	1/1956	Newell	7,941,965	B2
2,956,365	A	10/1960	Smith et al.	D639,051	S
2,987,846	A	6/1961	Powell	D647,301	S
3,047,349	A	7/1962	Powell	D648,533	S
3,181,751	A	5/1965	Wilson	D660,589	S
3,310,271	A	3/1967	King	8,348,510	B2
3,481,066	A	12/1969	Woolworth	D676,652	S
3,564,755	A	2/1971	Lindgren, Sr.	D692,661	S
3,813,138	A	5/1974	Doohan	D714,541	S
3,850,396	A	11/1974	Orlandi	D724,318	S
4,023,304	A	5/1977	Singer	D725,908	S
4,151,938	A	5/1979	Barker et al.	D742,637	S
4,176,491	A	12/1979	Herring	D761,564	S
4,240,222	A	12/1980	Covington	D762,384	S
4,245,422	A	1/1981	Souza	D762,978	S
4,324,446	A	4/1982	LeSage	D779,824	S
D280,260	S	8/1985	Leiserson	D781,575	S
D284,333	S	6/1986	Huston	D787,816	S
D284,620	S	7/1986	Calton	D793,728	S
D291,149	S	8/1987	Smith	D796,188	S
4,739,886	A	4/1988	Seaberg	D821,097	S
4,769,941	A	9/1988	Schmidt	D824,170	S
4,811,996	A	3/1989	Hansson	D831,952	S
4,958,730	A	9/1990	Bunten	D832,653	S
D312,530	S	12/1990	Gallen et al.	D833,141	S
5,054,669	A	10/1991	Zimbardi et al.	D835,473	S
5,087,105	A	2/1992	White	D835,950	S
D333,038	S	2/1993	Collins	D836,999	S
5,261,529	A	11/1993	Holland	D837,000	S
D347,521	S	6/1994	Elliott	D837,001	S
5,386,662	A	2/1995	Vader et al.	D838,971	S
D360,182	S	7/1995	Lovett	D844,324	S
D371,052	S	6/1996	Melk	D845,613	S
5,526,927	A	6/1996	McLemore	D856,662	S
D371,724	S	7/1996	Melk	D862,528	S
5,556,068	A	9/1996	Gorelik	10,477,991	B1
D376,044	S	12/1996	Trawick et al.	D873,090	S
5,606,820	A	3/1997	Suddeth	D874,129	S
D383,601	S	9/1997	Jones et al.	D875,385	S
D389,305	S	1/1998	Hauschild	D880,253	S
D396,745	S	* 8/1998	Peterson D3/216	D881,655	S
D401,062	S	11/1998	Hauschild	D887,135	S
5,829,185	A	11/1998	Myers	D896,504	S
D423,779	S	5/2000	Goatcher	D896,505	S
D427,768	S	7/2000	Bogert	D896,514	S
D435,343	S	12/2000	Eskandry	D901,882	S
6,202,865	B1	3/2001	Kuo	10,881,178	B2
6,202,910	B1	3/2001	Swetish	D912,974	S
D465,086	S	11/2002	Watts	D915,762	S
D468,101	S	1/2003	Hassett	D919,287	S
D469,606	S	2/2003	Su	D920,744	S
D472,380	S	4/2003	Hillman	D922,061	S
D472,386	S	4/2003	Bauer	D922,062	S
D474,598	S	5/2003	Platte, III	D927,174	S
D476,480	S	7/2003	Hillman	D927,261	S
6,612,434	B1	9/2003	Redzisz	D931,600	S
D482,842	S	12/2003	Fair	2005/0121275	A1
D484,695	S	1/2004	DePalma	2007/0011939	A1
D487,189	S	3/2004	Ukitsu	2007/0237432	A1
D487,191	S	3/2004	Ong	2008/0029666	A1
D495,489	S	9/2004	Messina-Brown	2008/0289925	A1
D504,229	S	4/2005	Duvigneau	2012/0043228	A1
D506,061	S	6/2005	McGibben	2013/0043293	A1
6,926,136	B1	8/2005	Lynch-Bass	2014/0132131	A1
D528,295	S	9/2006	Harvey	2014/0290025	A1
D530,089	S	10/2006	Silverman	2016/0205913	A1
D542,527	S	5/2007	Zapata	2016/0244239	A1
7,240,513	B1	7/2007	Conforti	2017/0073146	A1
D552,350	S	10/2007	Bosley	2018/0220759	A1
D556,452	S	12/2007	Hydon	2021/0007451	A1*
D566,393	S	4/2008	Kidakarn	2021/0007452	A1*
D574,615	S	8/2008	Picot et al.		
7,621,074	B2	11/2009	Glidewell et al.		
				7/2010	Noraker
				5/2011	Naylor et al.
				5/2011	Hoover
				6/2011	Dare
				10/2011	Sosnovsky
				11/2011	Sosnovsky
				5/2012	Ayjian
				1/2013	Mogil
				2/2013	Holloway et al.
				11/2013	Gupton, Jr.
				10/2014	Anderson et al.
				3/2015	Myer
				4/2015	Zwetzig
				11/2015	Miles
				7/2016	Rhodes
				8/2016	Boroski
				8/2016	Boroski
				2/2017	Boroski
				3/2017	Etekoachay
				5/2017	Slimane
				8/2017	Faibish et al.
				9/2017	Ho
				6/2018	Burton et al.
				7/2018	Tobias
				10/2018	Pennington
				11/2018	Waskow et al.
				11/2018	Carter et al.
				12/2018	Jacobsen
				12/2018	Jacobsen
				1/2019	Jacobsen
				1/2019	Jacobsen
				1/2019	Jacobsen
				1/2019	Deanda
				4/2019	Hoppe et al.
				4/2019	Decker
				8/2019	Breines
				10/2019	Sullivan et al.
				11/2019	Fragala
				1/2020	Jacobsen
				2/2020	Goldstein
				2/2020	Carter et al.
				4/2020	Jacobsen
				4/2020	Jacobsen
				6/2020	Tan
				9/2020	Li
				9/2020	Yuan D3/217
				9/2020	Tan
				11/2020	Tan
				1/2021	Johnson
				3/2021	Breines
				4/2021	Li
				5/2021	He
				6/2021	Eisenhardt et al.
				6/2021	Tan
				6/2021	Shi
				8/2021	Dai
				8/2021	Rong
				9/2021	Huang
				6/2005	Platte, III
				1/2007	Sakai
				10/2007	Mogil
				2/2008	Hurt
				11/2008	Sapyta
				2/2012	Ezzo et al.
				2/2013	Connell
				5/2014	Thomas
				10/2014	Custer
				7/2016	Aston et al.
				8/2016	Nash
				3/2017	Kuhn et al.
				8/2018	Johnson
				1/2021	Tan A45F 3/047
				1/2021	Tan A45C 3/001

(56)

References Cited

U.S. PATENT DOCUMENTS

2021/0068510 A1 3/2021 Johnson
 2021/0212442 A1 7/2021 Webb

FOREIGN PATENT DOCUMENTS

CN 102972367 A 3/2013
 CN 205357836 U 7/2016
 EP 0071274 A2 2/1983

OTHER PUBLICATIONS

Ozark Trail Outdoor Equipment "Mesh Bottom Tackle Bag", 6 pgs.
 Amazon, "Piscifun Fishing Tackle Backpack with 4 Trays Large Waterproof Tackle Bag Storage . . .", (<https://www.amazon.com/Piscifun-Backpack-Capacity-Waterproof-Protective/dp/B07CGJDTN-GI>) (Year: 2018), 13 pgs.

International Search Report and Written Opinion dated May 19, 2017 of PCT Application No. PCT/US2016/047971, 14 pages.
 Evolution Outdoor Drift Series Topless Horizontal Tackle Bag, first available Feb. 24, 2021, amazon.com [online], [site visited Jun. 28,

2021], Available at internet URL: <https://www.amazon.com/Evolution-Outdoor-Topless-Horizontal-Tackle/dp/B08WRNXXBV?th=1&psc=1> (Year: 2021).

Evolution Outdoor Drift Series Topless Vertical Tackle Bag, first available Mar. 2, 2021, amazon.com [online], [site visited Jun. 28, 2021], Available at internet URL: <https://www.amazon.com/Evolution-Outdoor-Topless-Vertical-Tackle/dp/B08WRVCF31?th=1> (Year: 2021).
 KastKing Fishing Tackle Bag, first available Jun. 27, 2018, amazon.com [online], [site visited Jun. 28, 2021], Available at internet URL: https://www.amazon.com/KastKing-Saltwater-Waterproof-Medium-Hoss-15x11x10-25/dp/B07XRFSFPN/ref=pd_lpo_3?pd_rd_i=B07F2GH9VS&psc=1 (Year: 2018).

Plano Guide Series Tackle Bag, first available Feb. 10, 2020, amazon.com [online], [site visited Jun. 28, 2021], Available at internet URL: https://www.amazon.com/Piano-Premium-Storage-included-PLABG371/dp/B084NQLFMH/ref=pd_lpo_2?pd_rd_i=B084NQLFMH&psc=1 (Year: 2020).

Amazon, "Flambeau 4007 Heritage Tackle Bag, Fir Green/Pewter/Rust, FL40001", First on sale Apr. 23, 2020. (<https://www.amazon.com/Fiambeau-Heritage-Bait-Binder/dp/B089469PPT>) (Year: 2020).

* cited by examiner

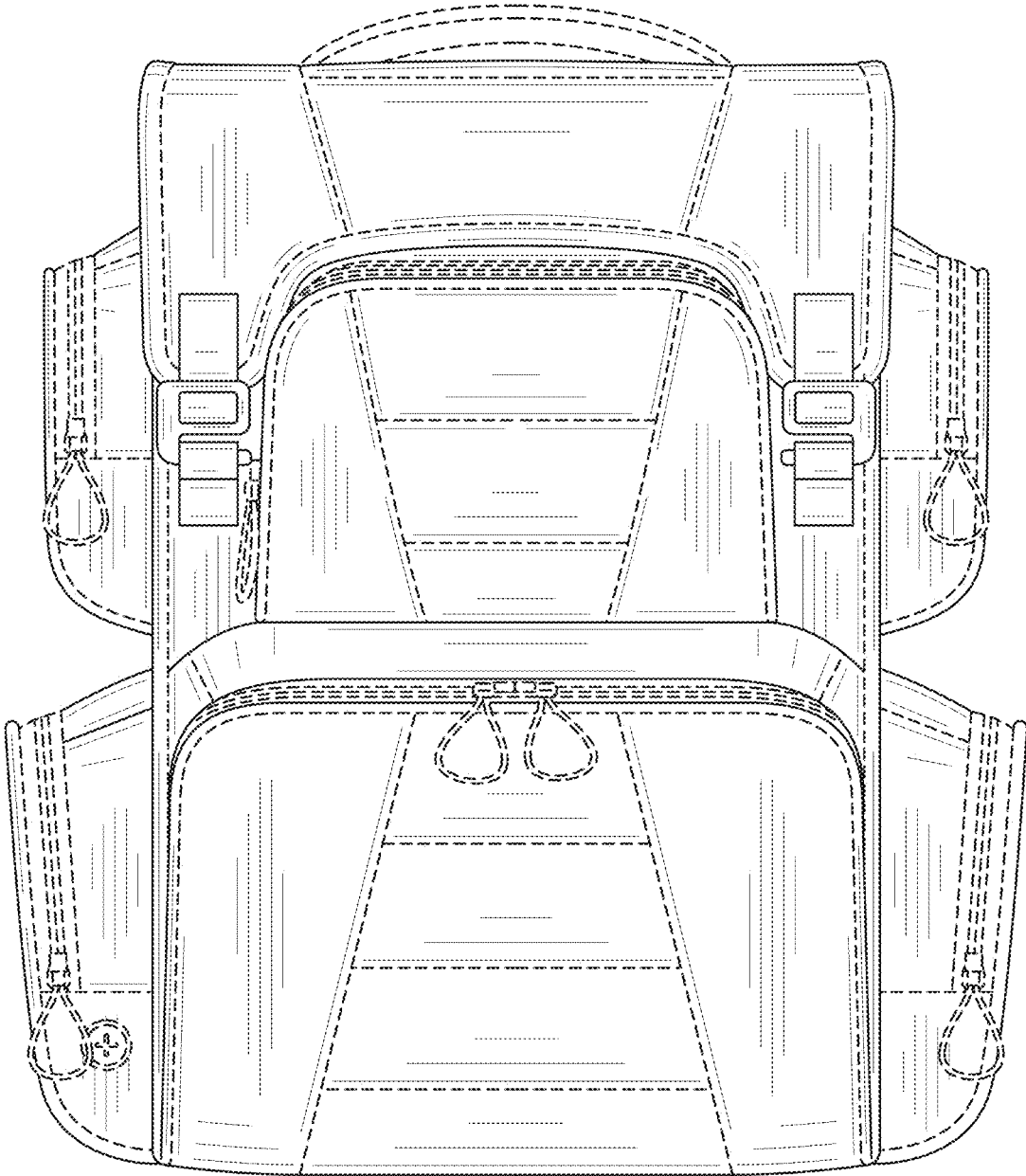
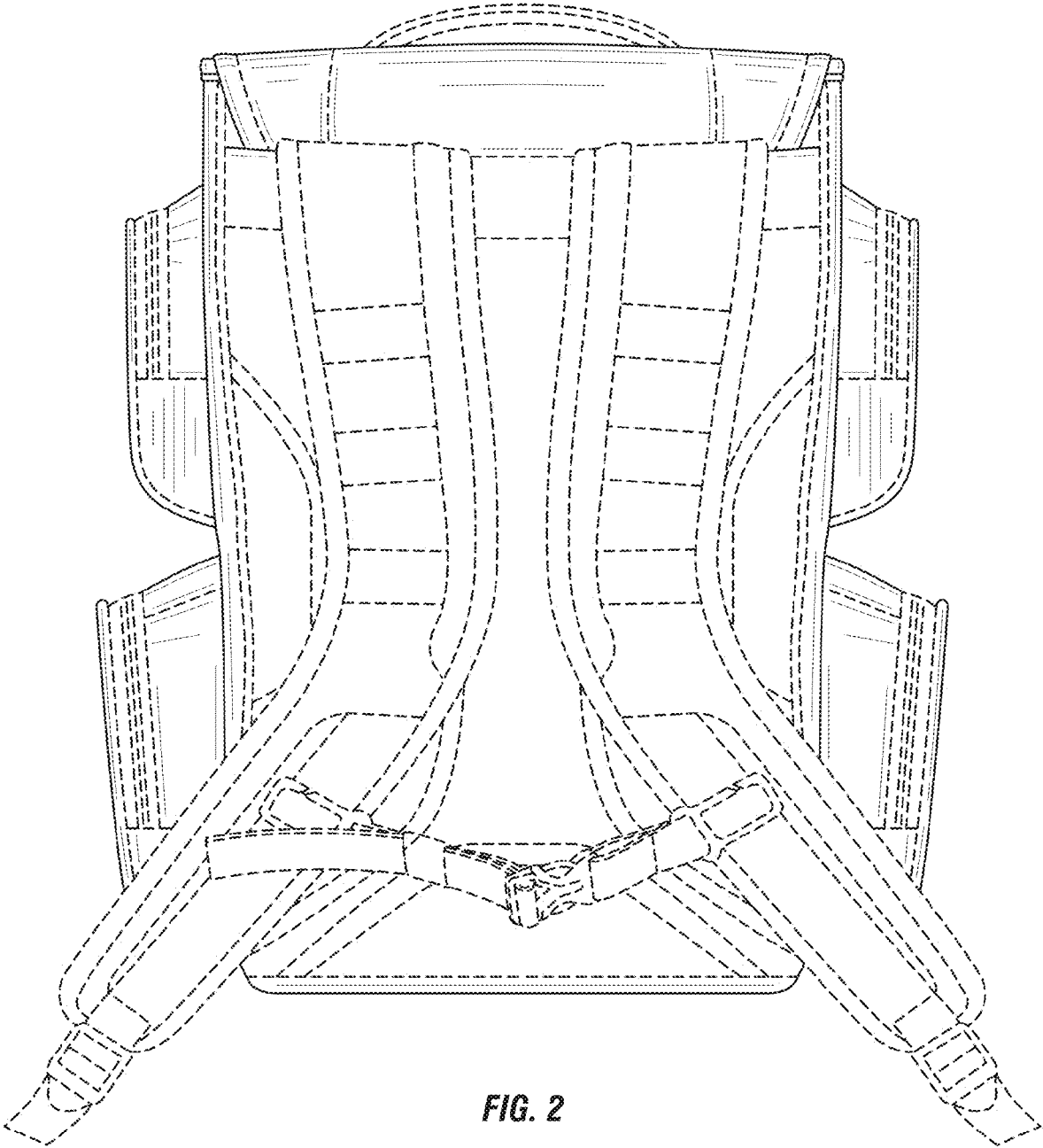


FIG. 1



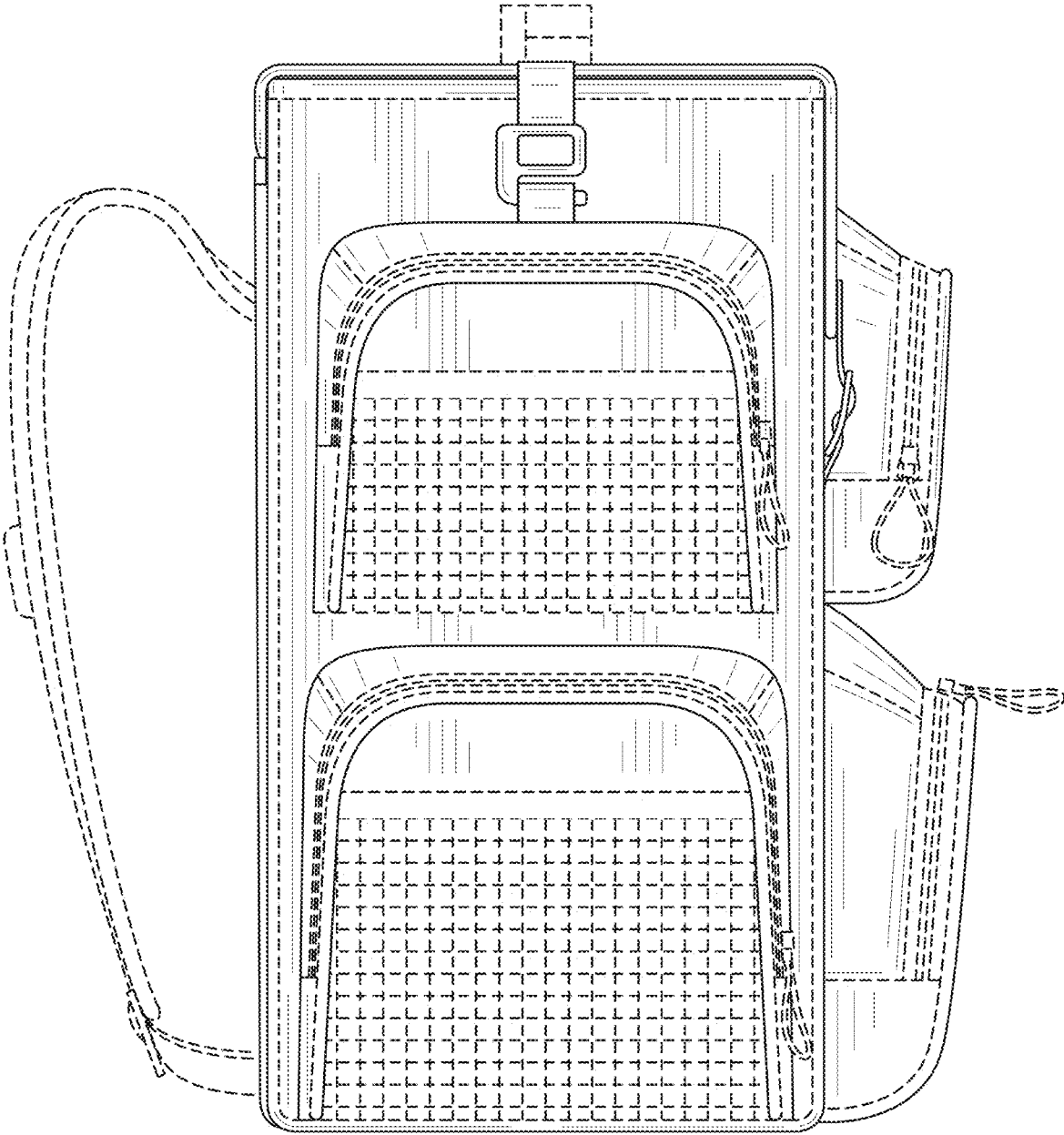


FIG. 3

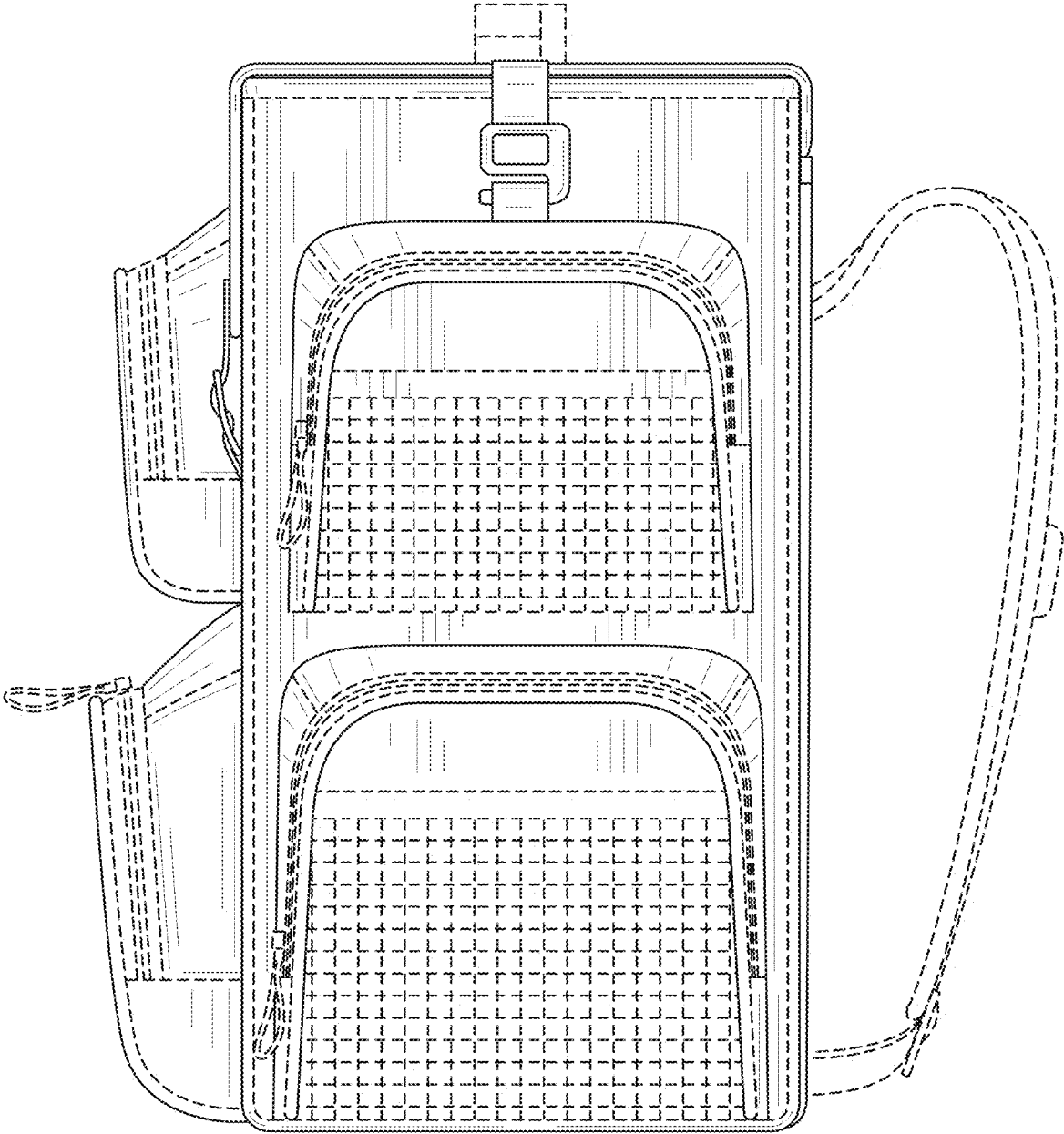


FIG. 4

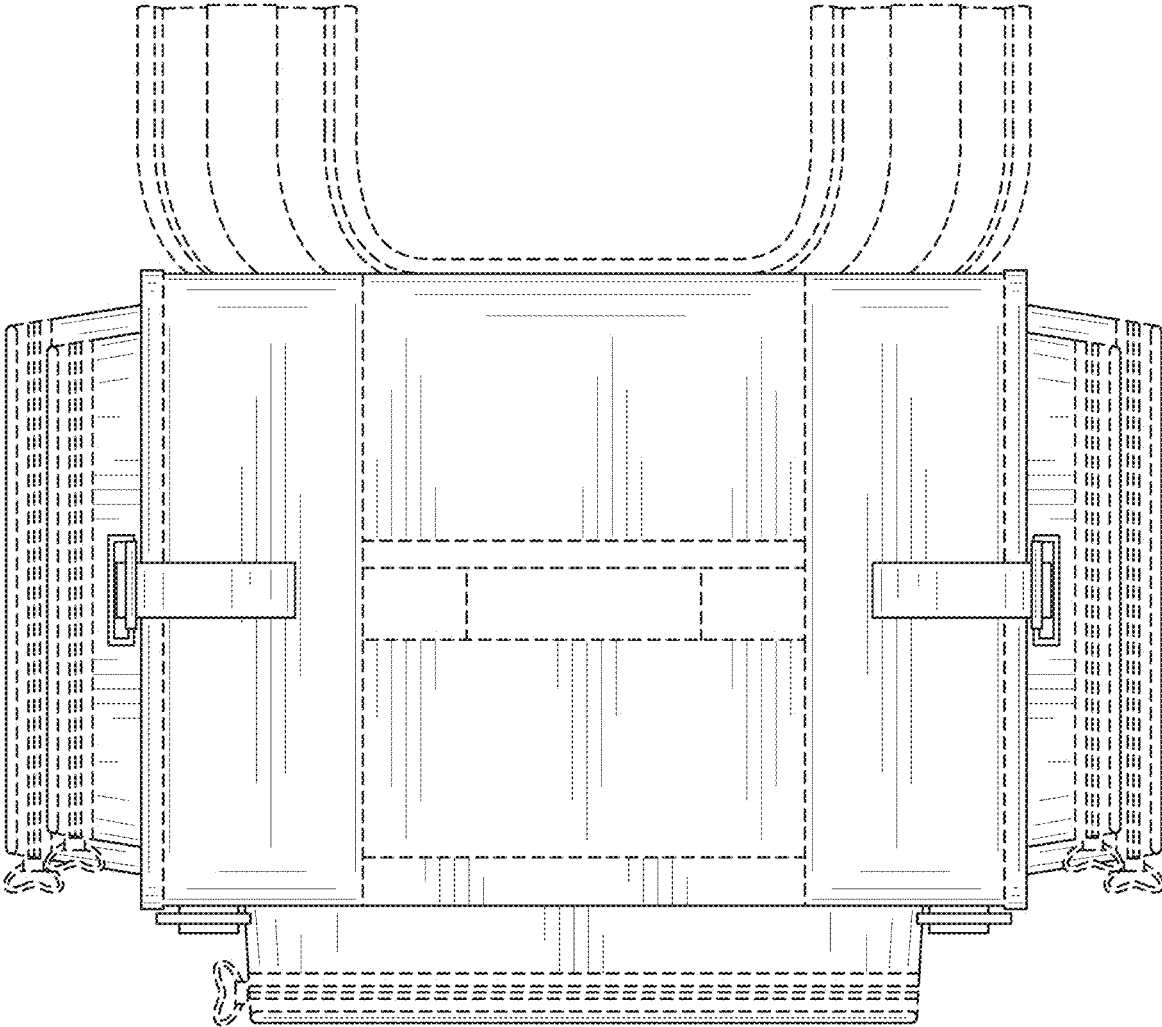


FIG. 5

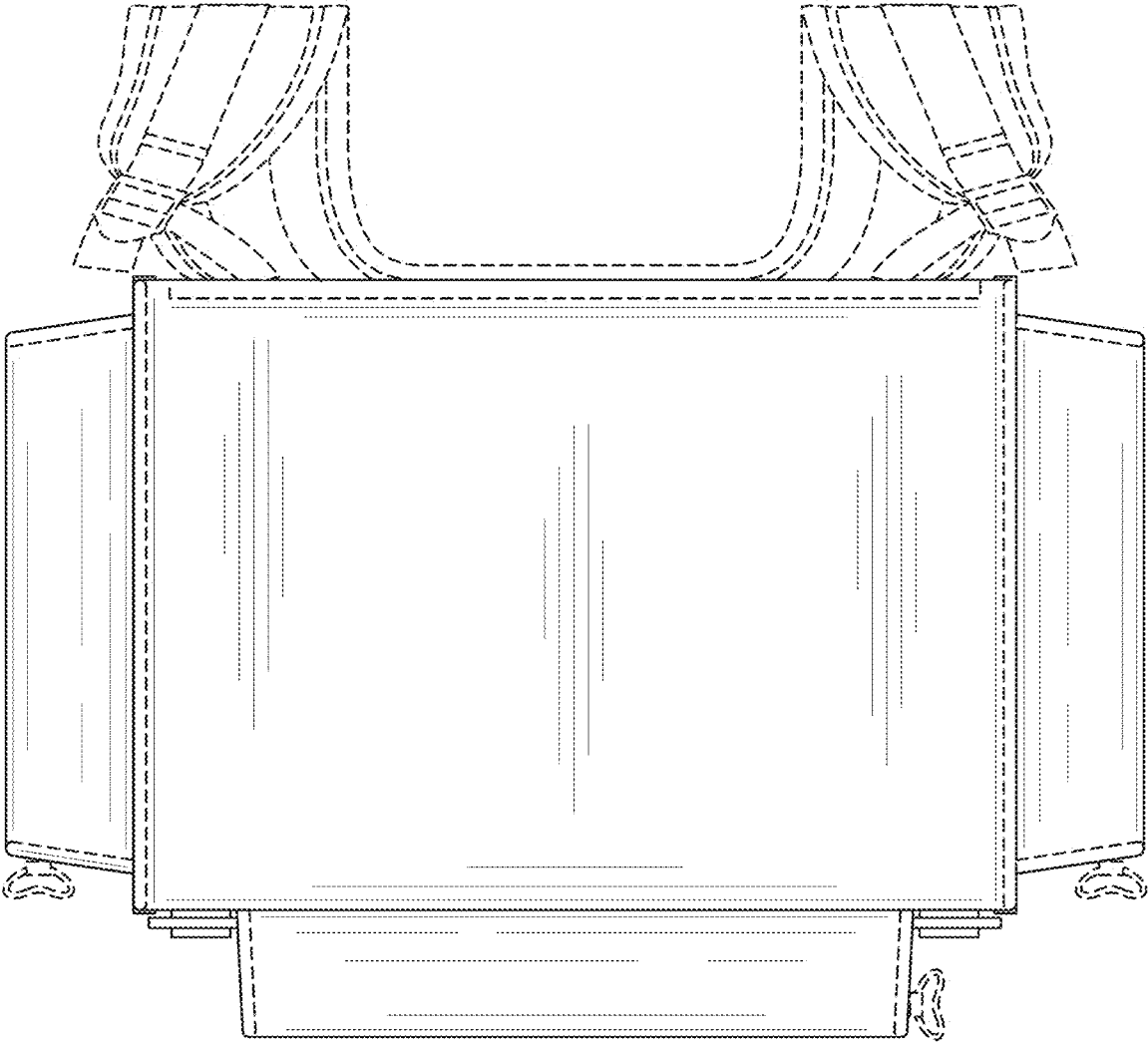


FIG. 6

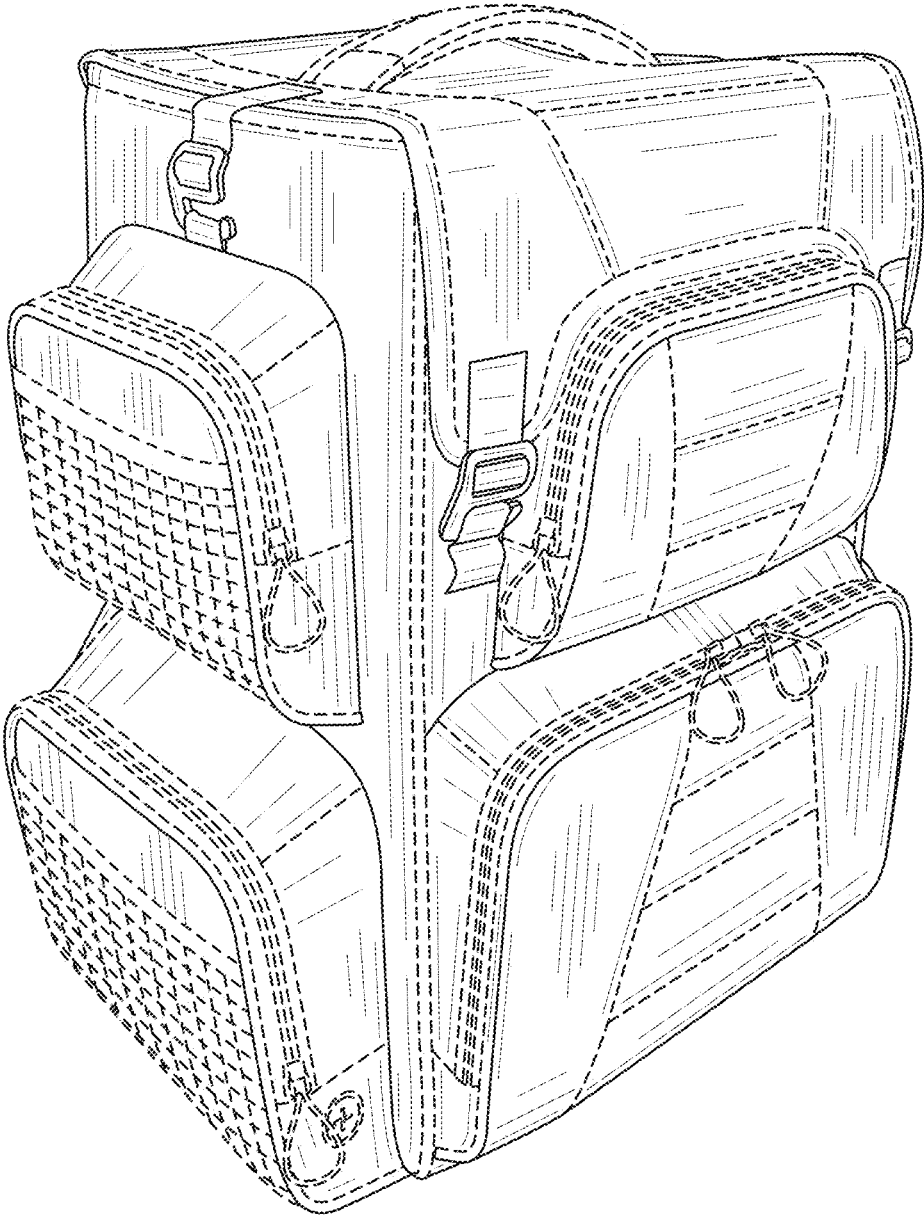


FIG. 7

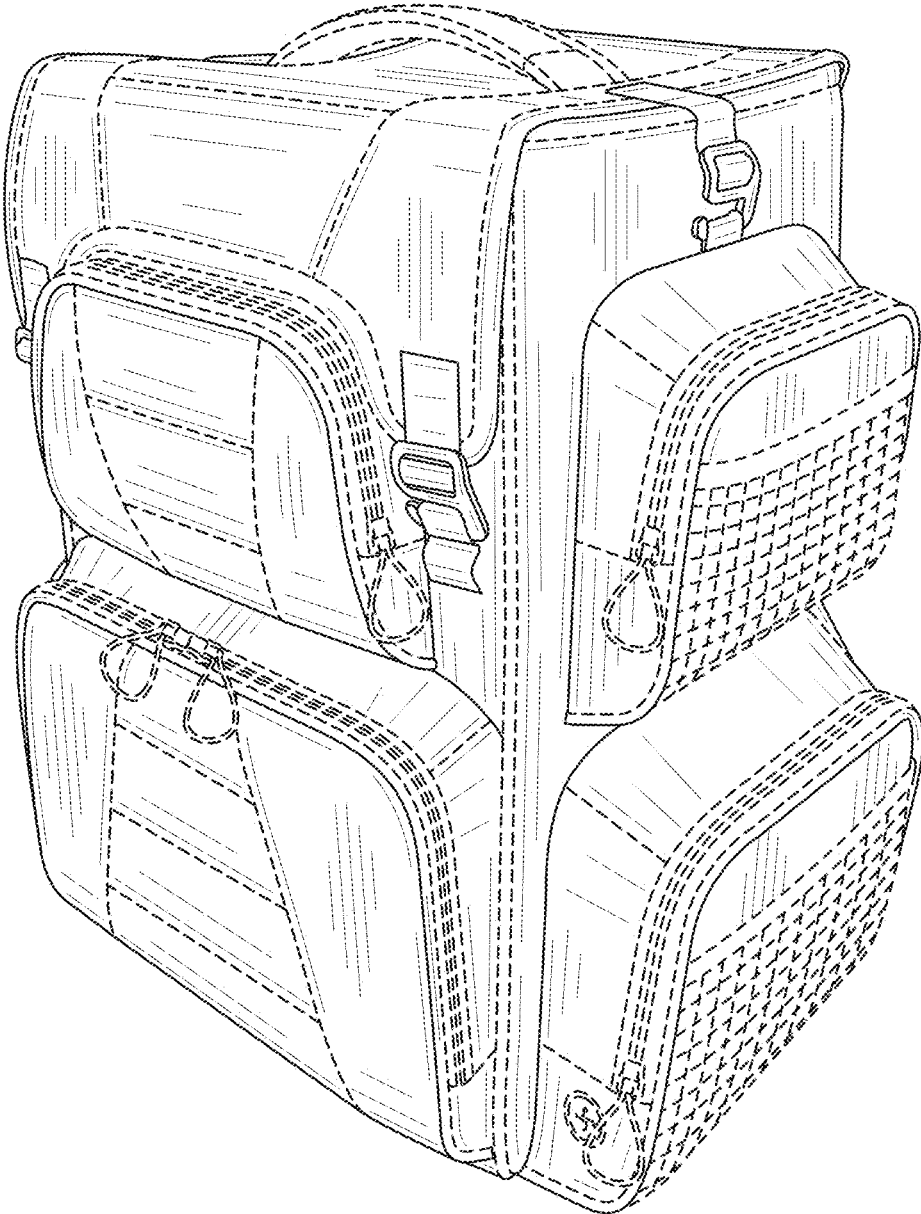


FIG. 8

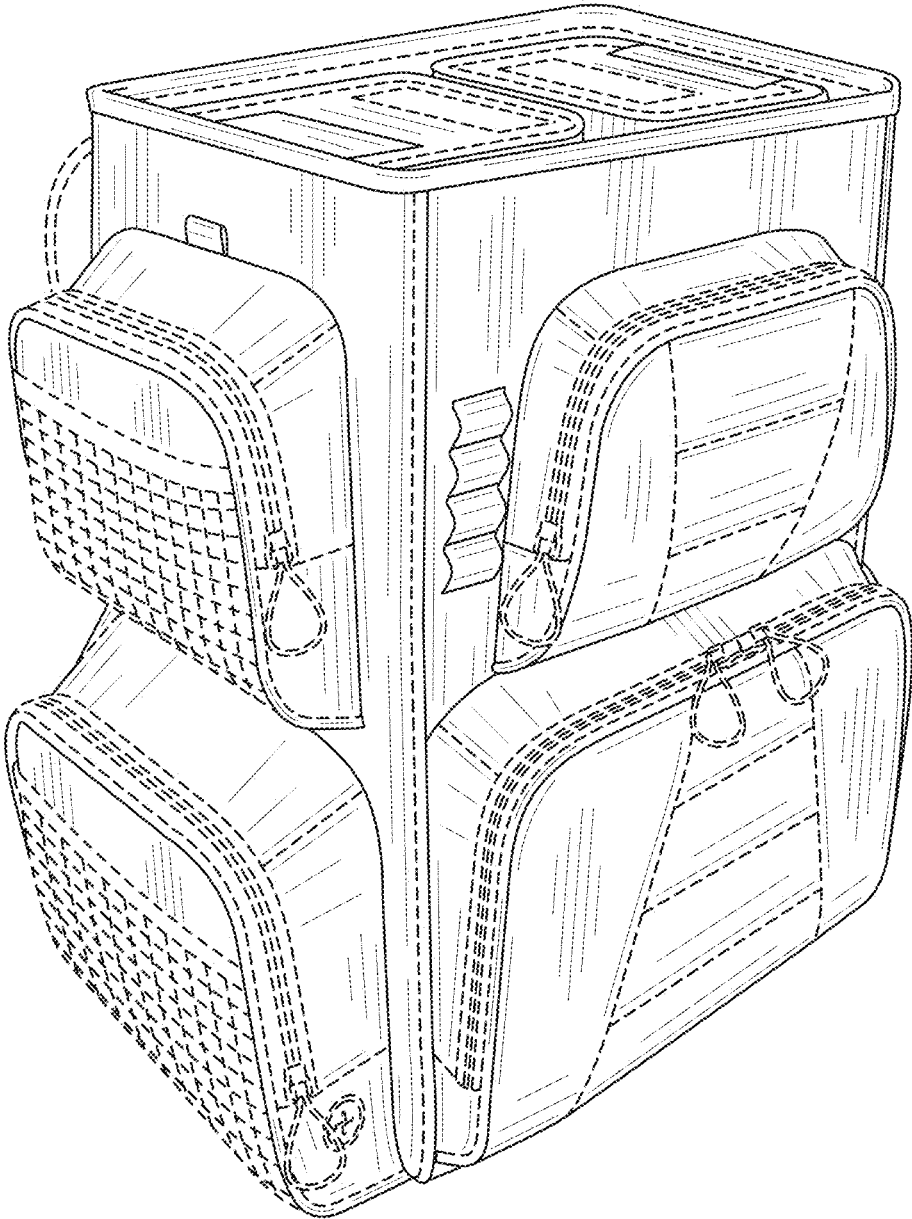


FIG. 9

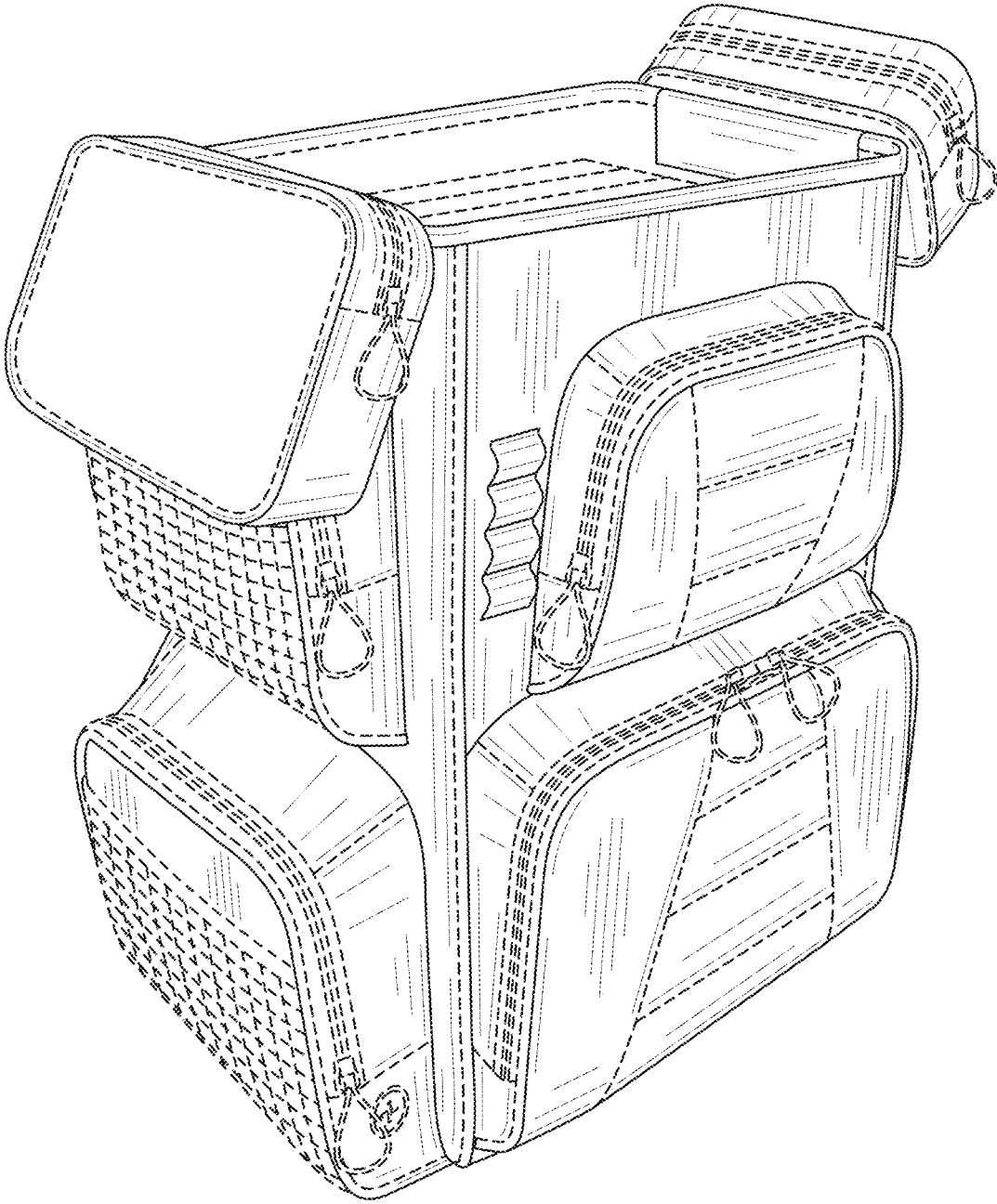


FIG. 10