

[54] BLENDER

D. 241,404 9/1976 Mantelet D7/384

[75] Inventor: Paulus J. Disco, Sao Paulo, Brazil

OTHER PUBLICATIONS

[73] Assignee: U.S. Philips Corporation, New York, N.Y.

Goodhousekeeping, Nov. 1977, p. 232, right column, second panel "Moulinex La Machine" Cutting/Chopping unit.

[**] Term: 14 Years

Primary Examiner—Winifred E. Herrmann
Attorney, Agent, or Firm—Jack E. Haken

[21] Appl. No.: 910,431

[22] Filed: Sep. 19, 1986

[57] CLAIM

[30] Foreign Application Priority Data

The ornamental design for a blender, as shown and described.

Mar. 21, 1986 [BR] Brazil MI 4600174[U]

[52] U.S. Cl. D7/378; D7/413

[58] Field of Search D7/368-374, D7/376-384, 386, 48, 49, 412-415

DESCRIPTION

[56] References Cited

U.S. PATENT DOCUMENTS

D. 121,136 11/1939 Benson D7/378

FIG. 1 is a front and top perspective view of a blender showing my new design; FIG. 2 is an elevational view thereof; and FIG. 3 is a top plan view thereof. The bottom of my blender forms no part of the invented design and is therefore not shown.

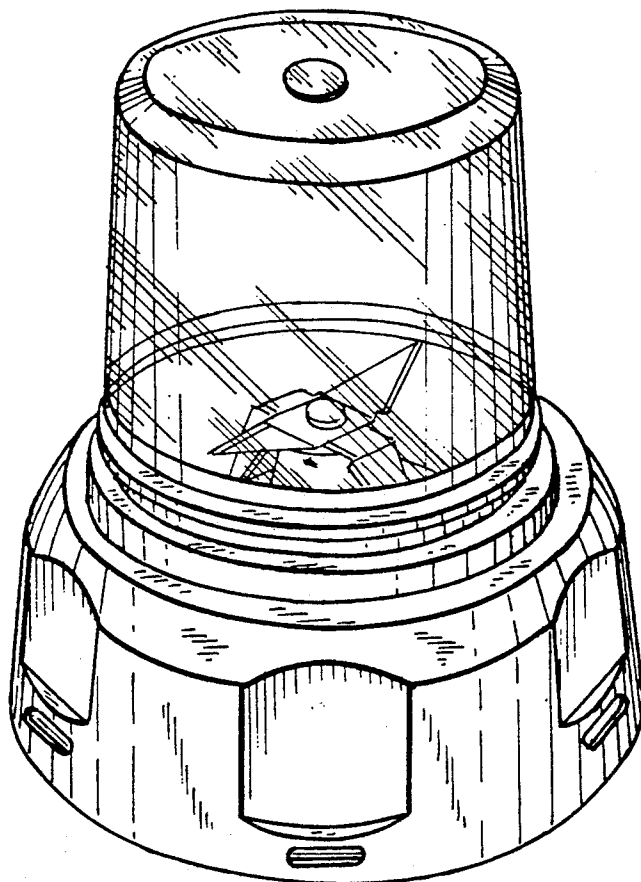


FIG. 1

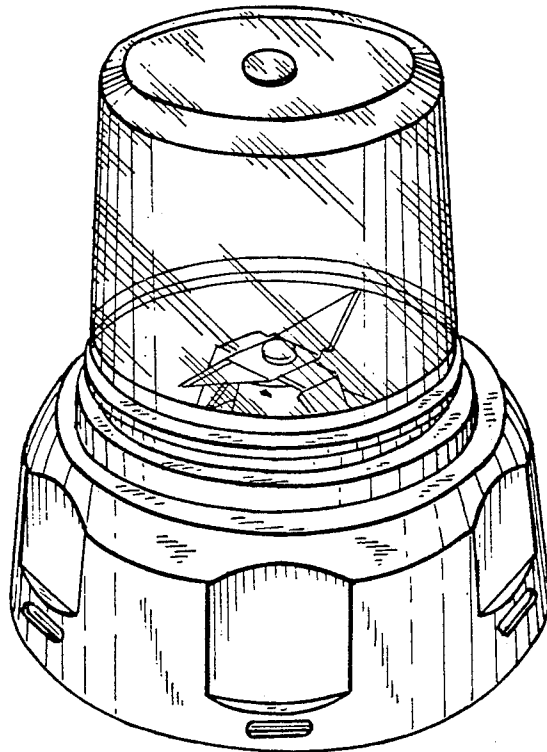


FIG. 2

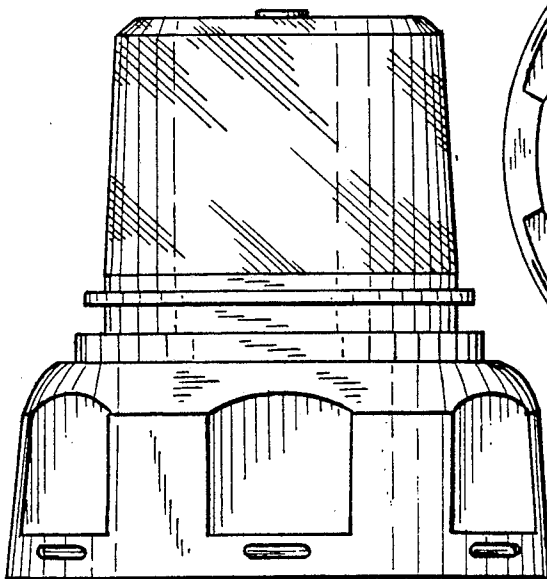


FIG. 3

