



US00D893994S

(12) **United States Design Patent**
Dupont-Madinier et al.

(10) **Patent No.:** **US D893,994 S**

(45) **Date of Patent:** **** Aug. 25, 2020**

- (54) **CLIP** 3,952,985 A 4/1976 Davenport
- 4,119,285 A 10/1978 Bisping
- (71) Applicant: **CERTAINTEED CORPORATION,** 4,135,692 A 1/1979 Ferguson
Malvern, PA (US) 4,564,165 A 1/1986 Grant
- 4,648,229 A 3/1987 Limp
- (72) Inventors: **Kim Dupont-Madinier,** Somerville, D289,251 S 4/1987 Joseph
MA (US); **Conor Patrick McDonald,** 4,742,662 A 5/1988 Smith
Boston, MA (US) 4,848,054 A 7/1989 Blitzer et al.
- 4,926,606 A 5/1990 Hanson
- (73) Assignee: **CERTAINTEED CORPORATION,** D319,006 S 8/1991 Talbot
Malvern, PA (US) D321,639 S 11/1991 Adams
- 5,265,393 A 11/1993 Barnes
- (**) Term: **15 Years** 5,421,132 A 6/1995 Bischel et al.
- 5,495,697 A 12/1995 Callas
- 3/1996 Bischel et al.

(Continued)

(21) Appl. No.: **29/681,617**

(22) Filed: **Feb. 27, 2019**

FOREIGN PATENT DOCUMENTS

Related U.S. Application Data

- EP 0421255 A2 4/1991
- EP 0306463 B1 10/1991

(62) Division of application No. 29/586,032, filed on Nov. 30, 2016, now Pat. No. Des. 846,978.

Primary Examiner — John Windmuller

(51) **LOC (12) Cl.** **08-08**

(74) *Attorney, Agent, or Firm* — Abel Schillinger, LLP;
Thomas H. Osborn

(52) **U.S. Cl.**

USPC **D8/394; D8/395**

(57) **CLAIM**

(58) **Field of Classification Search**

The ornamental design for a clip, as shown and described.

USPC D8/356, 371, 394–396; D19/65, 56;
D25/58, 121, 122

CPC . E04B 9/067; E04B 9/068; E04B 9/12; E04B
9/18; E04B 9/30; E04B 2009/062; E04C
2003/0413; E04C 2003/0439; E04C
2003/046

DESCRIPTION

See application file for complete search history.

FIG. 1 is a front perspective view of a clip;
FIG. 2 is a front view thereof;
FIG. 3 is a back view thereof;
FIG. 4 is a side view thereof;
FIG. 5 is an opposite side view thereof;
FIG. 6 is a top view thereof; and,
FIG. 7 is a bottom view thereof.

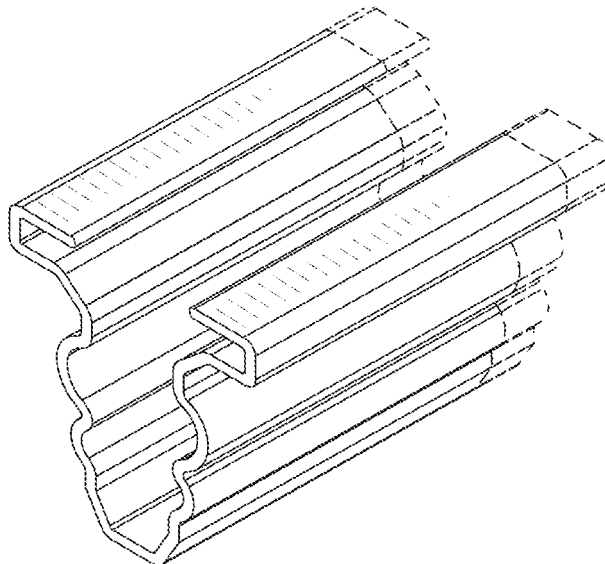
The broken lines showing a portion of the clip are for illustrative purposes only and form no part of the claimed design.

(56) **References Cited**

U.S. PATENT DOCUMENTS

- 386,378 A 7/1888 Bright
- 386,379 A 7/1888 Bright
- 2,807,431 A 9/1957 McHale
- 3,618,176 A 11/1971 Barnes
- 3,683,100 A 8/1972 Deal et al.

1 Claim, 4 Drawing Sheets



(56)

References Cited

U.S. PATENT DOCUMENTS

5,533,696	A	7/1996	Laughlin et al.		D669,770	S	10/2012	Lapping et al.
5,806,823	A	9/1998	Callas		8,359,801	B2	1/2013	Burnett et al.
5,845,447	A	12/1998	Bodine et al.		D679,177	S	4/2013	Craig et al.
5,954,300	A	9/1999	Sturies et al.		D688,122	S	8/2013	Wasco
D429,001	S	8/2000	Benz et al.		D690,583	S	10/2013	Sendra-Gonzalez et al.
6,659,521	B2	12/2003	Hill		9,217,247	B2	12/2015	Behling et al.
D488,055	S	4/2004	Ter Braak		D756,764	S	5/2016	Limber
D501,564	S	2/2005	Kuramochi		D762,457	S	8/2016	Lo et al.
D541,953	S	5/2007	Deleu		D781,693	S	3/2017	Roan et al.
7,392,629	B1	7/2008	Bankston et al.		D781,694	S	3/2017	Iwata et al.
D605,102	S	* 12/2009	Peschmann D12/223	D816,475	S	5/2018	Ochi et al.
D611,887	S	* 3/2010	Peschmann D12/223	9,982,742	B2	5/2018	Loewe et al.
D616,567	S	5/2010	Desrosiers et al.		2002/0060280	A1	5/2002	Yaphe
D616,568	S	5/2010	Desrosiers et al.		2006/0174562	A1	8/2006	Insalaco
D632,554	S	2/2011	Grzyb		2009/0242715	A1	10/2009	Kosidlo
D635,692	S	4/2011	Wirthgen		2011/0247287	A1	10/2011	Butcher et al.
D638,773	S	5/2011	Laverack et al.		2015/0152645	A1	6/2015	Burnett
					2015/0262516	A1	9/2015	White
					2017/0099745	A1	4/2017	Dang

* cited by examiner

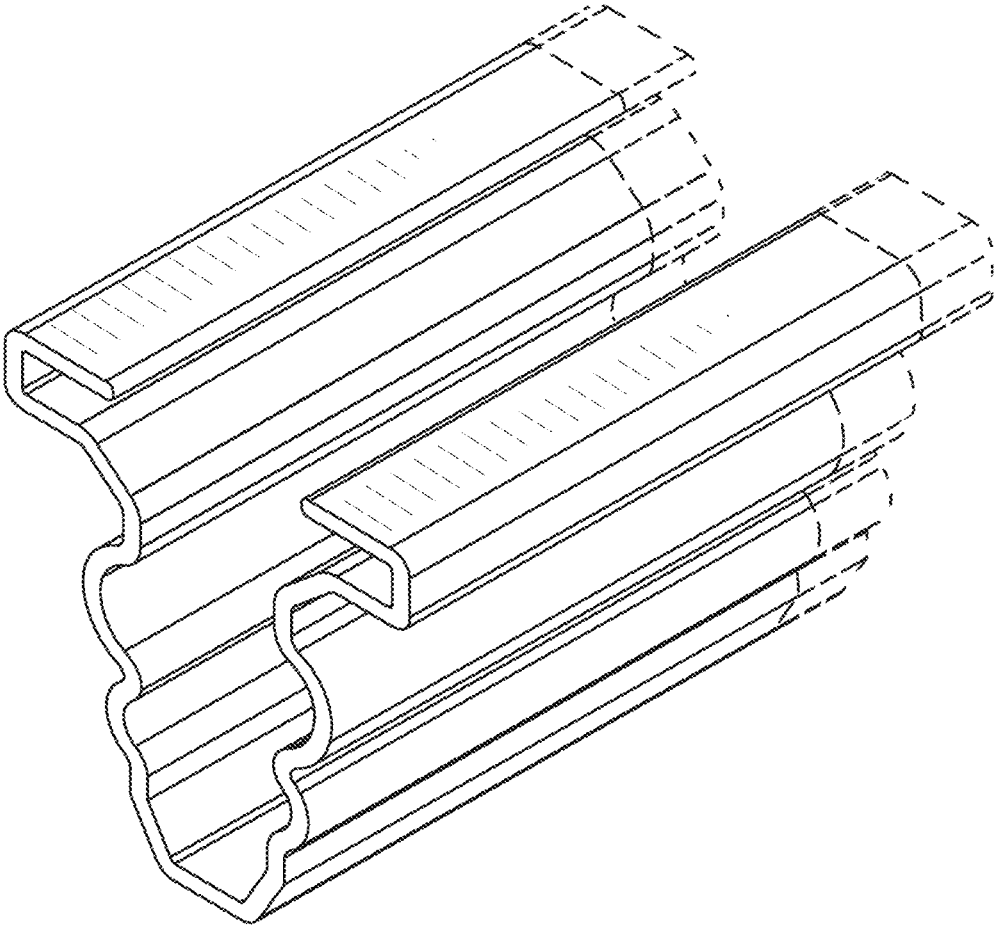


FIG. 1

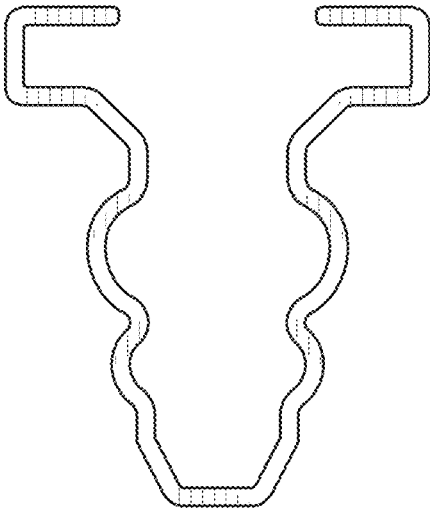


FIG. 2

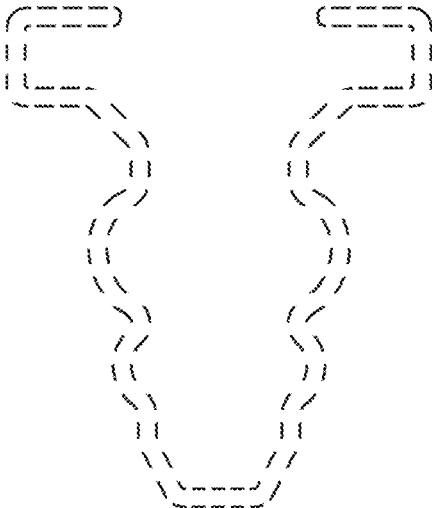


FIG. 3

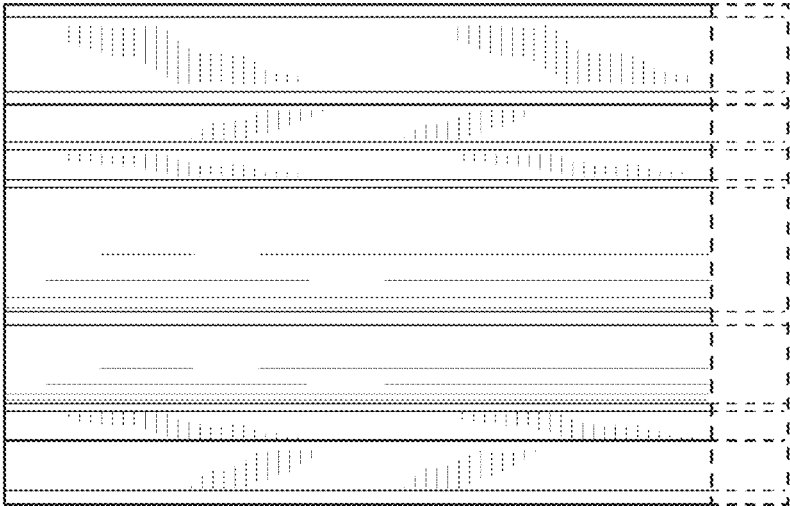


FIG. 4

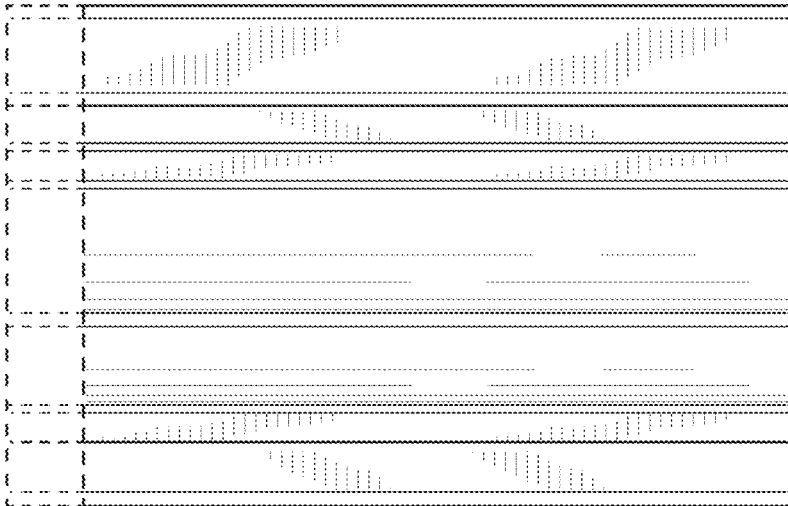


FIG. 5

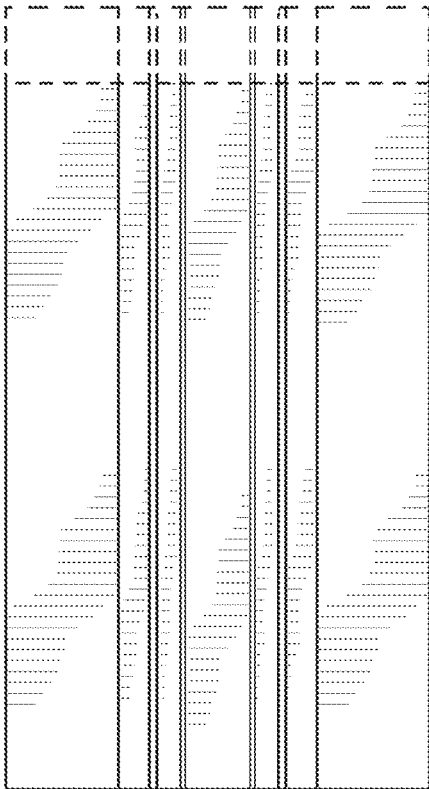


FIG. 6

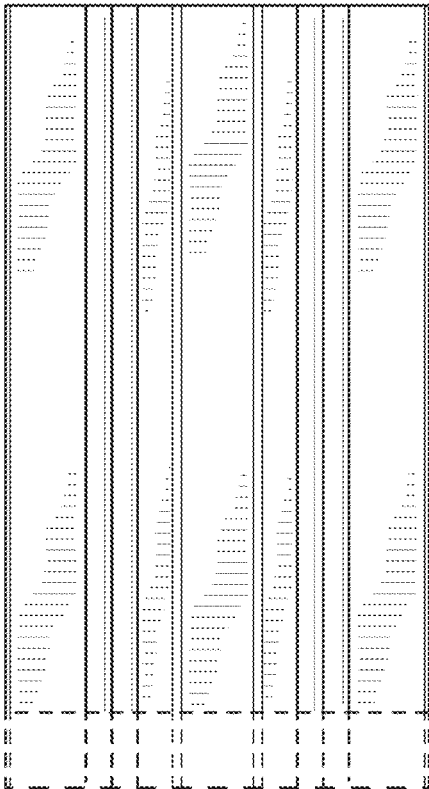


FIG. 7