



(12) **United States Design Patent**  
**Basque**

(10) **Patent No.:** **US D1,003,461 S**  
(45) **Date of Patent:** **\*\* Oct. 31, 2023**

(54) **REEF BLOCK**  
(71) Applicant: **Entreprises Bastech (2014) Inc.**,  
Tracadie-Sheila (CA)

D505,733 S 5/2005 Castonguay et al.  
8,147,165 B2 4/2012 Sung  
D921,164 S \* 6/2021 Norton ..... D25/113  
2009/0110484 A1\* 4/2009 Fillingame ..... E02B 3/102  
405/26  
2020/0149238 A1\* 5/2020 Birbeck ..... E02B 3/06

(72) Inventor: **Raymond Thierry Basque**, Pointe des  
Robichaud (CA)

**FOREIGN PATENT DOCUMENTS**

(73) Assignee: **ENTREPRISES BASTECH (2014) INC.**,  
Tracadie-Sheila (CA)

CN 102094406 A 6/2011  
GB 2557321 B 6/2019  
KR 300940580.0000 \* 1/2018  
WO 2012124254 A1 9/2012

(\*\*) Term: **15 Years**

\* cited by examiner

(21) Appl. No.: **29/800,605**

(22) Filed: **Jul. 22, 2021**

*Primary Examiner* — Leanne Was-Englehart  
(74) *Attorney, Agent, or Firm* — Bereskin & Parr  
LLP/S.E.N.C.R.L., s.r.l.

(30) **Foreign Application Priority Data**

Jan. 22, 2021 (CA) ..... CA 200783

(51) **LOC (14) Cl.** ..... **25-01**

(57) **CLAIM**

(52) **U.S. Cl.**  
USPC ..... **D25/113**

The ornamental design for a reef block, as shown and described.

(58) **Field of Classification Search**  
USPC ..... D25/112–118  
CPC .. E02B 3/04; E02B 3/14; A01K 61/00; A01K  
61/70; A01K 61/73; A01K 61/77  
See application file for complete search history.

**DESCRIPTION**

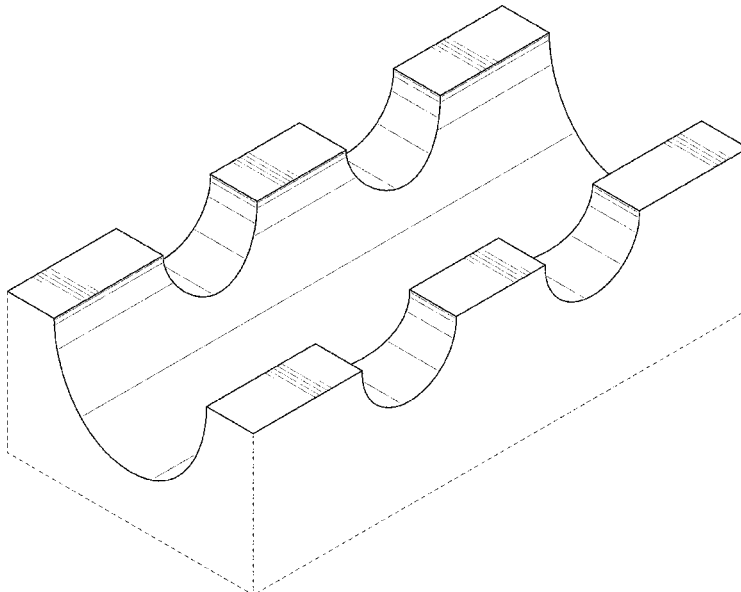
(56) **References Cited**

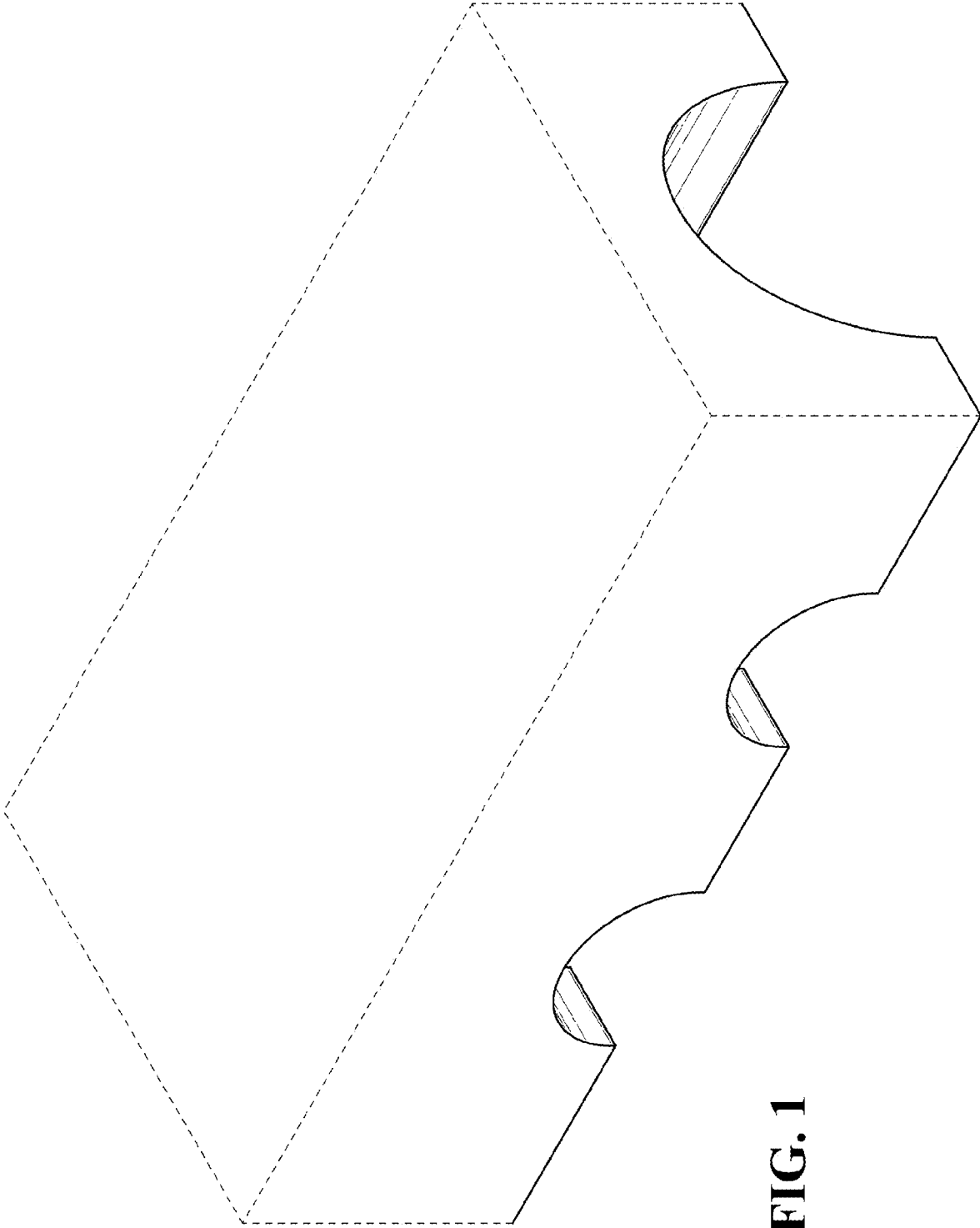
**U.S. PATENT DOCUMENTS**

4,473,607 A \* 9/1984 Mannella ..... F27D 3/024  
428/167  
4,651,485 A \* 3/1987 Osborne ..... E04B 2/08  
52/592.1  
5,123,221 A \* 6/1992 Legault ..... E02D 29/025  
405/286  
D336,140 S \* 6/1993 Lavery ..... D25/113  
D417,314 S 11/1999 Smith, Jr.  
D424,703 S 5/2000 Salls

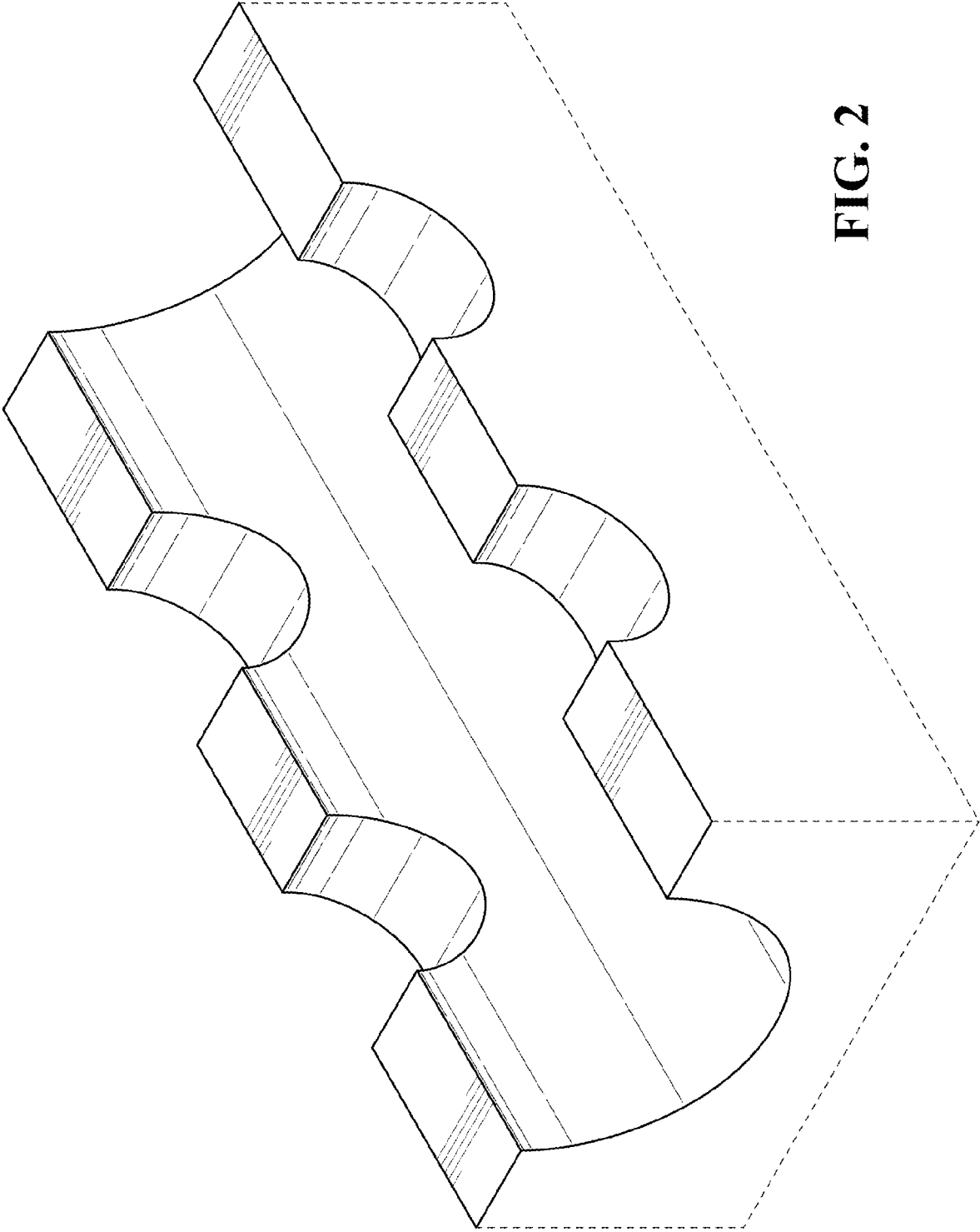
FIG. 1 is a first perspective view of a reef block;  
FIG. 2 is a second perspective view thereof;  
FIG. 3 is a top view thereof;  
FIG. 4 is a bottom view thereof;  
FIG. 5 is a first side view thereof;  
FIG. 6 is a second side view thereof;  
FIG. 7 is a front view thereof; and,  
FIG. 8 is a back view thereof.  
The broken lines in FIGS. 1 to 3 and 5 to 8 illustrate portions  
of the reef block that form no part of the claimed design.

**1 Claim, 6 Drawing Sheets**





**FIG. 1**



**FIG. 2**



**FIG. 3**

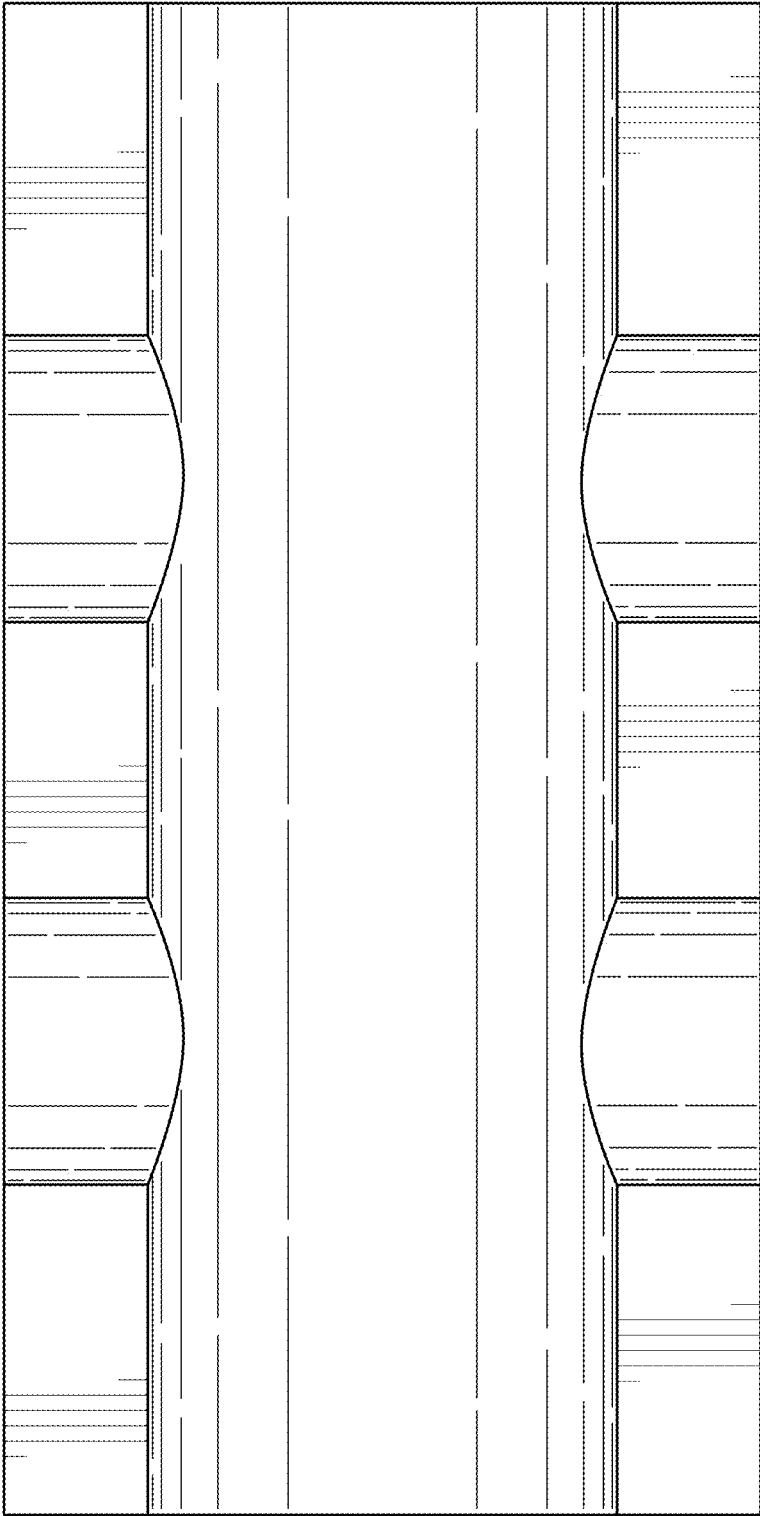
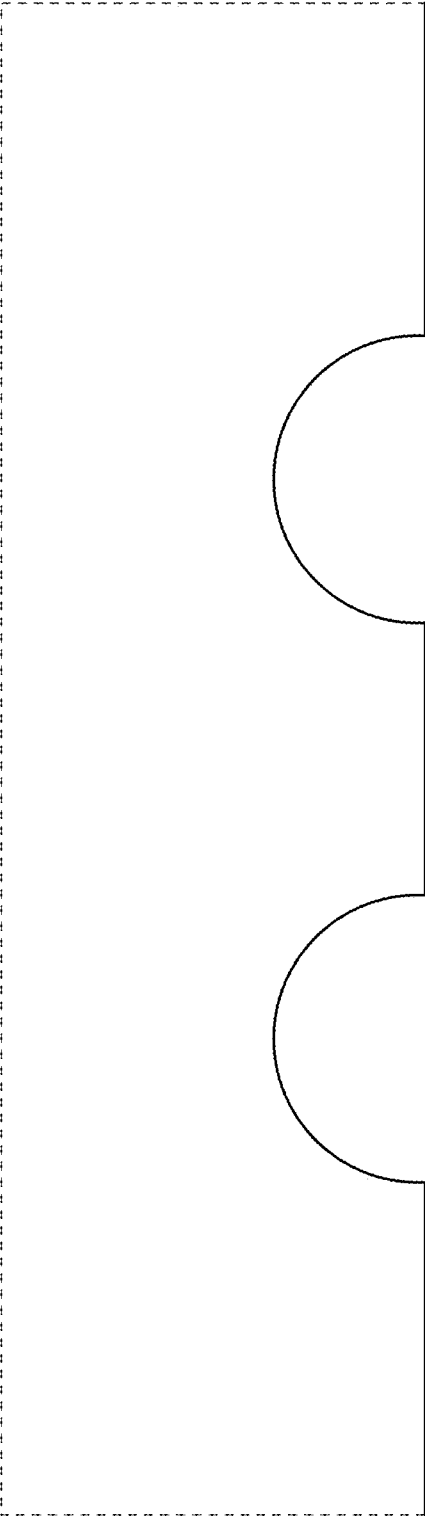
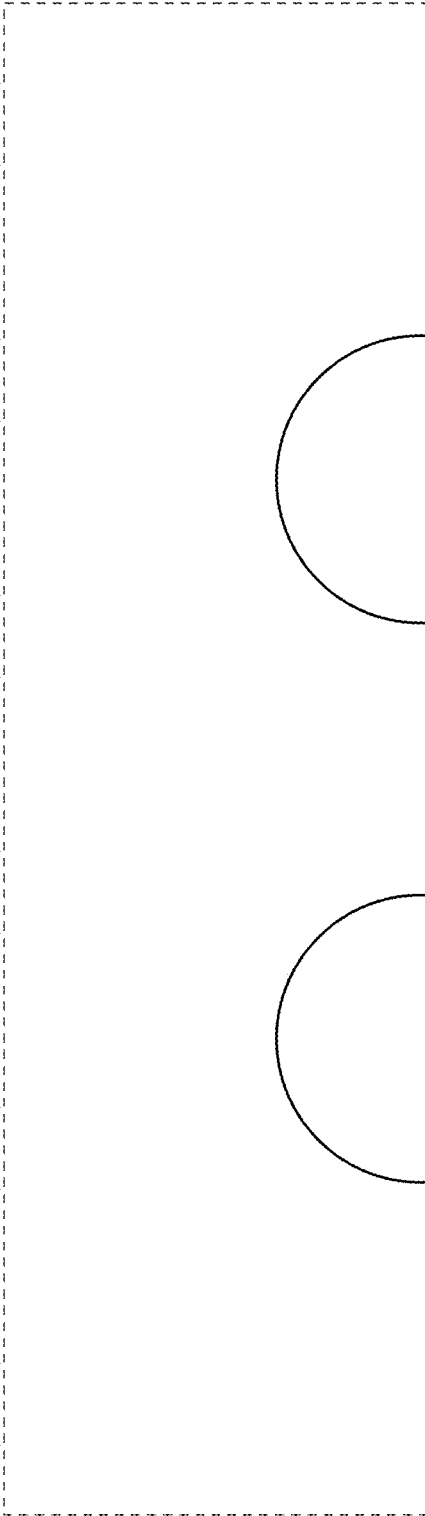


FIG. 4



**FIG. 5**



**FIG. 6**

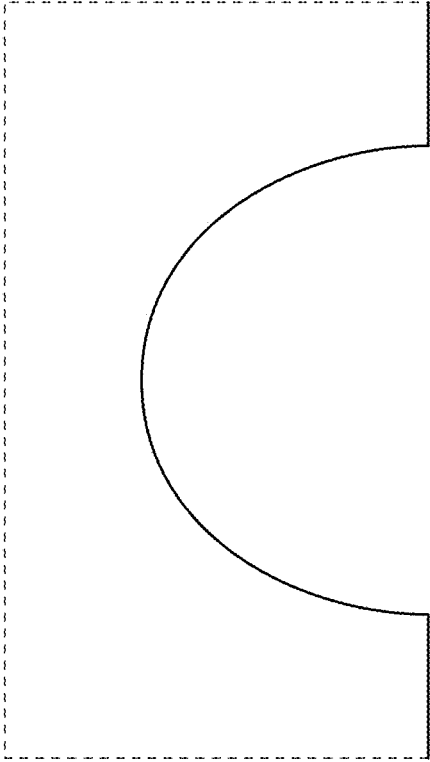


FIG. 8

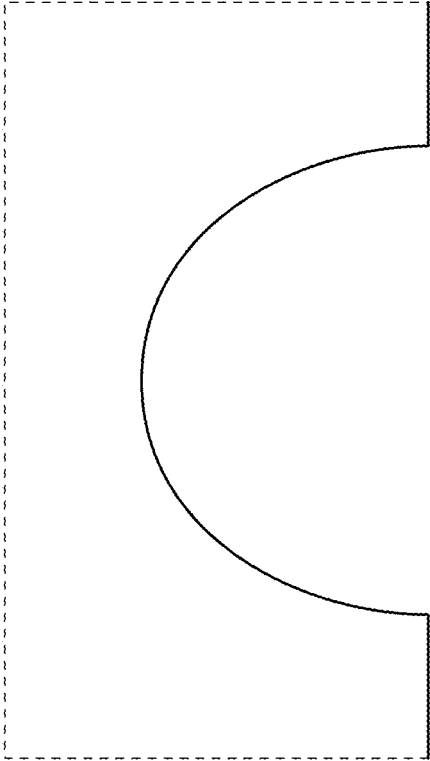


FIG. 7