



(12) **United States Design Patent**
Claxton

(10) **Patent No.:** **US D811,083 S**
(45) **Date of Patent:** **** Feb. 27, 2018**

- (54) **EYEGLASS CASE**
- (71) Applicant: **Tiara Claxton**, Simi Valley, CA (US)
- (72) Inventor: **Tiara Claxton**, Simi Valley, CA (US)
- (**) Term: **15 Years**
- (21) Appl. No.: **29/595,553**
- (22) Filed: **Feb. 28, 2017**

1,842,599 A * 1/1932 Fraser A45C 11/04
206/5
2,250,636 A 1/1938 Jerry
2,332,266 A 10/1943 Segal
2,367,182 A 1/1945 Brown
D150,577 S 1/1947 Karp
2,427,043 A 9/1947 Brown
D153,267 S * 4/1949 Dingman 206/5
2,650,700 A 9/1953 Wolf
2,723,745 A 11/1955 McNeill
2,850,151 A * 9/1958 Stegeman A45C 11/04
206/5
D208,586 S * 9/1967 Gindl D3/265
3,343,658 A 9/1967 Renwick
(Continued)

Related U.S. Application Data

- (60) Division of application No. 29/531,612, filed on Jun. 27, 2015, now Pat. No. Des. 801,045, which is a continuation-in-part of application No. 29/513,255, filed on Dec. 29, 2014, now abandoned.
- (51) **LOC (11) Cl.** **03-01**
- (52) **U.S. Cl.** **D3/265**
USPC **D3/265**
- (58) **Field of Classification Search**
USPC D3/204, 219, 252, 263-267, 271.9, 901,
D3/903, 904
CPC A45C 11/04; A45C 11/005; A45C 11/38;
A45C 11/06; A45C 2011/001; G02C
3/04; A47F 7/021
See application file for complete search history.

OTHER PUBLICATIONS

ebay.com, Nov. 26, 2014, Internet printout: http://www.ebay.com/itm/Batali-Brand-Black-Faux-Leather-Look-S...-Cloth-/201223134470?pt=LH_DefaultDomain_0&hash=item2ed9d55d06.
(Continued)

Primary Examiner — Mary Ann Calabrese
Assistant Examiner — Sloan Rozin
(74) *Attorney, Agent, or Firm* — Todd R. Miller

(57) **CLAIM**

The ornamental design for an eyeglass case, as shown and described.

(56) **References Cited**

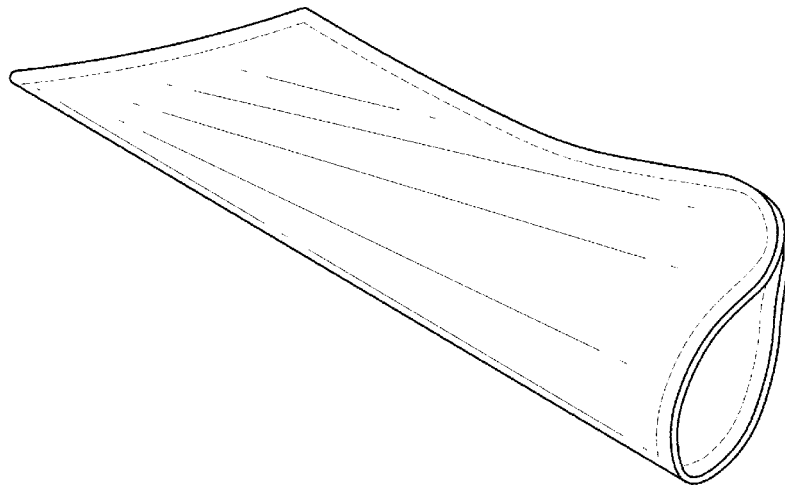
U.S. PATENT DOCUMENTS

460,330 A	9/1891	Casey
536,557 A	3/1895	White
D26,394 S	12/1896	Spencer
D29,867 S	12/1898	Guyer
D31,351 S	8/1899	Guyer
663,647 A	12/1900	Wells
903,737 A	11/1908	Lembcke
1,190,030 A	7/1916	Snow
1,339,330 A	5/1920	Goelkel
1,513,776 A	2/1923	Wells
1,633,417 A	6/1927	Perry

DESCRIPTION

FIG. 1 is a perspective view embodying the inventive design;
FIG. 2 is a side view thereof;
FIG. 3 is a bottom view thereof;
FIG. 4 is a top view thereof;
FIG. 5 is a top view shown in a manner of use;
FIG. 6 is a bottom plan view thereof; and,
FIG. 7 is a top plan thereof.
In the drawings, the broken lines represent stitching.

1 Claim, 4 Drawing Sheets



(56)

References Cited

U.S. PATENT DOCUMENTS

3,369,651 A 2/1968 Crowley
3,545,603 A 12/1970 Warsager
D244,490 S * 5/1977 Peterson D3/264
4,269,306 A 5/1981 Feniger
4,287,985 A 9/1981 Feniger
D286,462 S * 11/1986 Sender D3/265
4,960,208 A 10/1990 Tempke
5,405,010 A * 4/1995 Goldberger A45C 11/04
206/38
6,134,753 A 10/2000 O'Mahony
D617,555 S * 6/2010 Westphal D3/263
D706,538 S * 6/2014 Harnisch D3/266
2008/0151176 A1 6/2008 Lam
2011/0303560 A1 12/2011 Friedman
2014/0190840 A1 7/2014 Scribner

OTHER PUBLICATIONS

coteetciel.com, Dec. 29, 2014, Internet printout: <http://www.coteetciel.com/en-US/eyewear-case-carmine-red>.

* cited by examiner

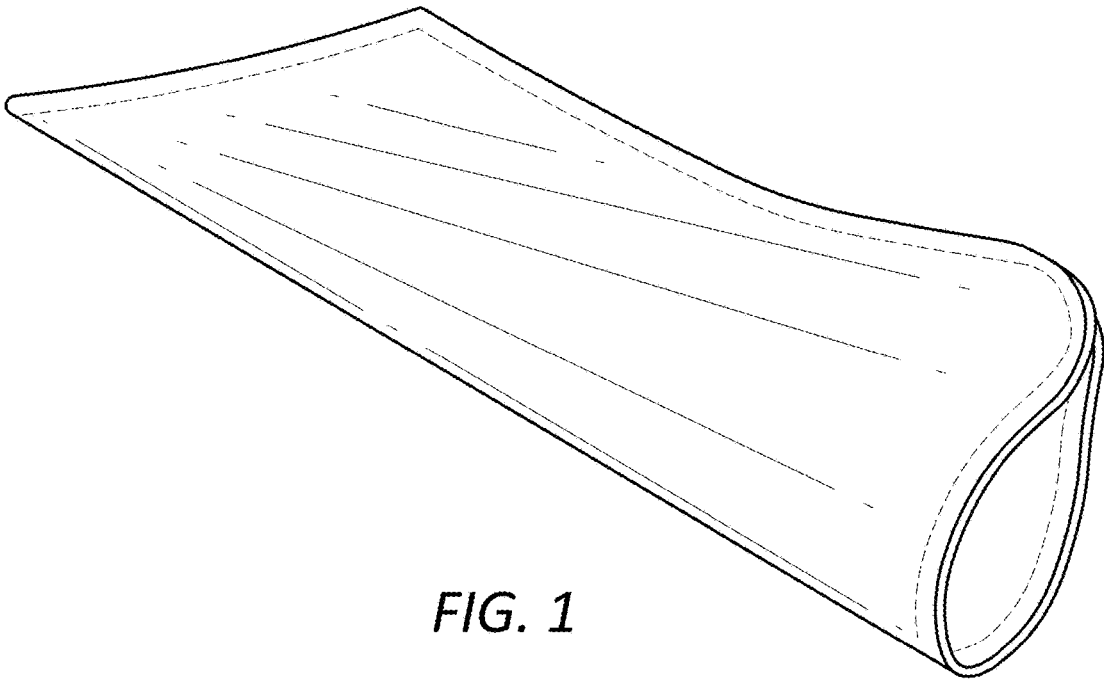


FIG. 1

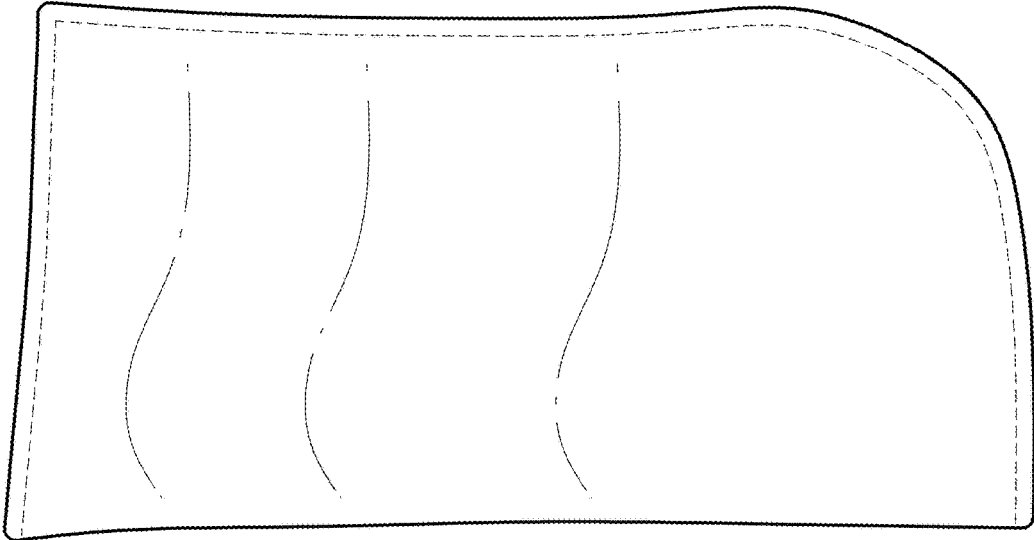


FIG. 2

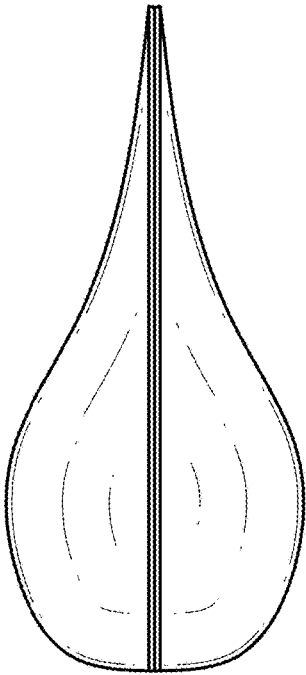


FIG. 3

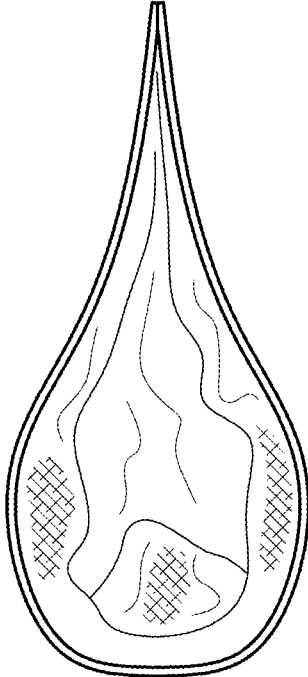


FIG. 4

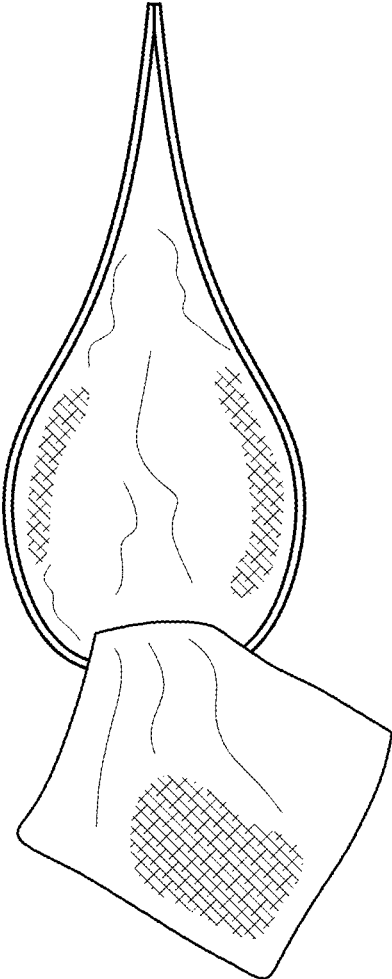


FIG. 5

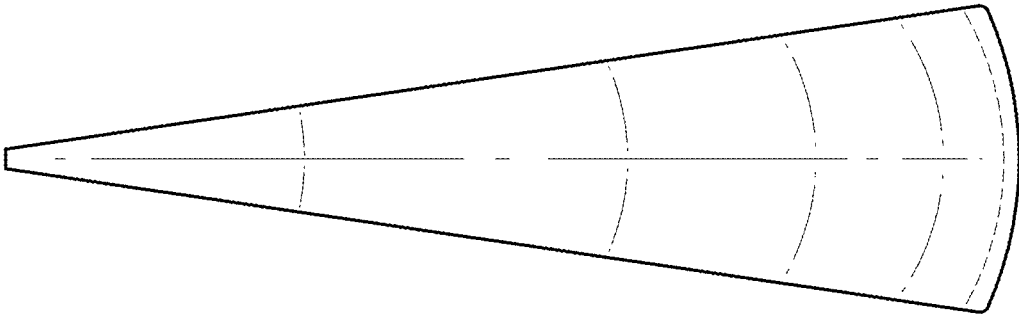


FIG. 6

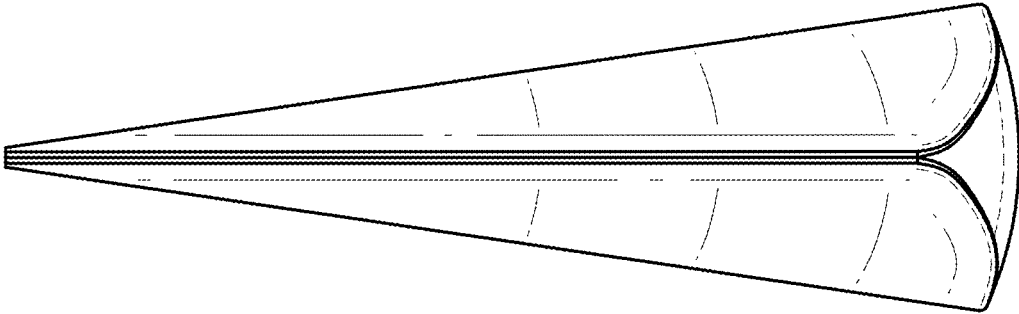


FIG. 7