



US0D1010174S

(12) **United States Design Patent** (10) **Patent No.:** **US D1,010,174 S**
Allmendinger (45) **Date of Patent:** **** Jan. 2, 2024**

(54) **HEADLIGHT FOR A VEHICLE**
(71) Applicant: **Bayerische Motoren Werke Aktiengesellschaft, Munich (DE)**
(72) Inventor: **Georg Allmendinger, Munich (DE)**
(73) Assignee: **Bayerische Motoren Werke Aktiengesellschaft, Munich (DE)**
(**) Term: **15 Years**

D802,182 S *	11/2017	Hannemann	D26/28
D822,242 S *	7/2018	Lee	D26/28
D827,884 S	9/2018	Hannemann	
D893,772 S *	8/2020	Binder	D26/28
D897,573 S *	9/2020	Patel	D26/28
D923,827 S *	6/2021	Loisch	D26/28
D939,111 S	12/2021	Allmendinger	
D942,656 S *	2/2022	Park	D26/28
D950,785 S *	5/2022	Datta	D26/28
D981,607 S *	3/2023	Zhai	D26/28
D987,144 S *	5/2023	Akcay	D26/28
D994,930 S *	8/2023	Lin	D26/28

(21) Appl. No.: **29/832,158**
(22) Filed: **Mar. 25, 2022**

FOREIGN PATENT DOCUMENTS

WO	WO DM/214534	11/2021
WO	WO DM/221025	4/2022

* cited by examiner

(30) **Foreign Application Priority Data**

Oct. 1, 2021 (DE) 402021100903.5

(51) **LOC (14) CL.** **26-06**
(52) **U.S. CL.**
USPC **D26/28**

(58) **Field of Classification Search**
USPC D26/28, 29, 30, 31, 32, 33, 34, 35, 36, D26/139
CPC F21S 41/00; F21S 41/141; F21S 41/162; F21S 41/18; F21S 41/20; F21S 41/33; F21S 41/36; F21S 41/60; F21S 43/00; F21W 2103/35; F21W 2103/40; F21W 2102/17; F21W 2102/30; F21W 2103/00; F21W 2103/55; F21W 2104/00; F21W 2107/17; F21W 2107/13
See application file for complete search history.

Primary Examiner — Angela J Lee
(74) *Attorney, Agent, or Firm* — Crowell & Moring LLP

(57) **CLAIM**

The ornamental design for a headlight for a vehicle, as shown and described.

DESCRIPTION

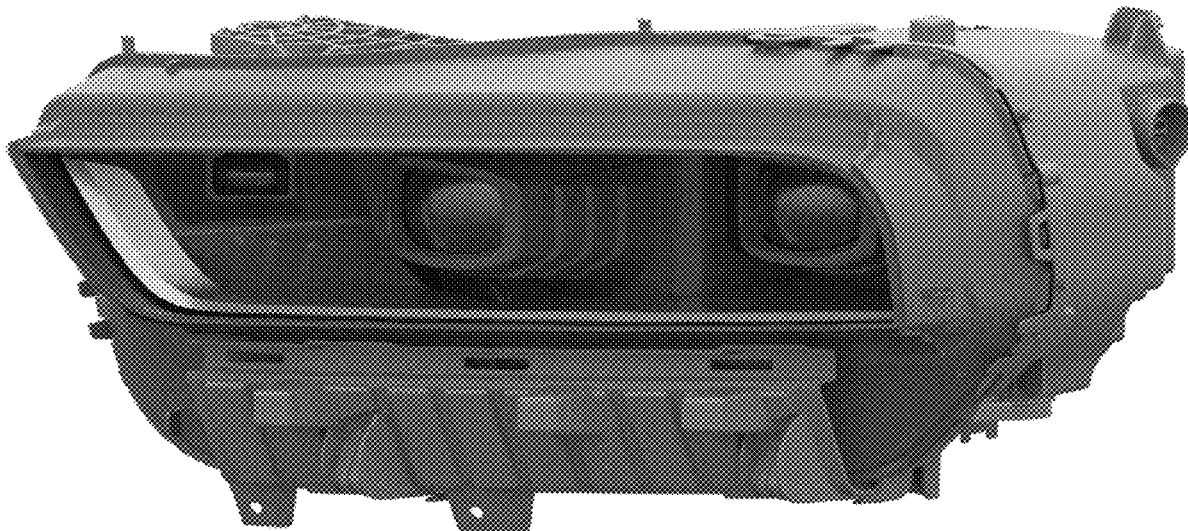
FIG. 1 is a front view of a headlight for a vehicle according to the design;
FIG. 2 is a right, front perspective view thereof;
FIG. 3 is a left, bottom perspective view thereof;
FIG. 4 is a right side view thereof;
FIG. 5 is a left side view thereof;
FIG. 6 is a top view thereof;
FIG. 7 is a bottom view thereof; and,
FIG. 8 is a rear view thereof.

(56) **References Cited**

U.S. PATENT DOCUMENTS

D762,894 S	8/2016	Luk	
D767,176 S *	9/2016	Faghilzadeh	D26/28

1 Claim, 8 Drawing Sheets



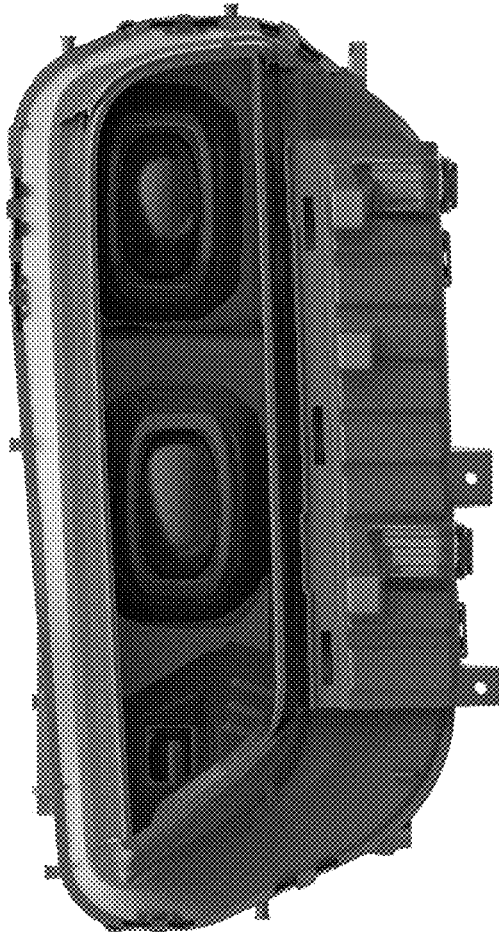


Fig. 1

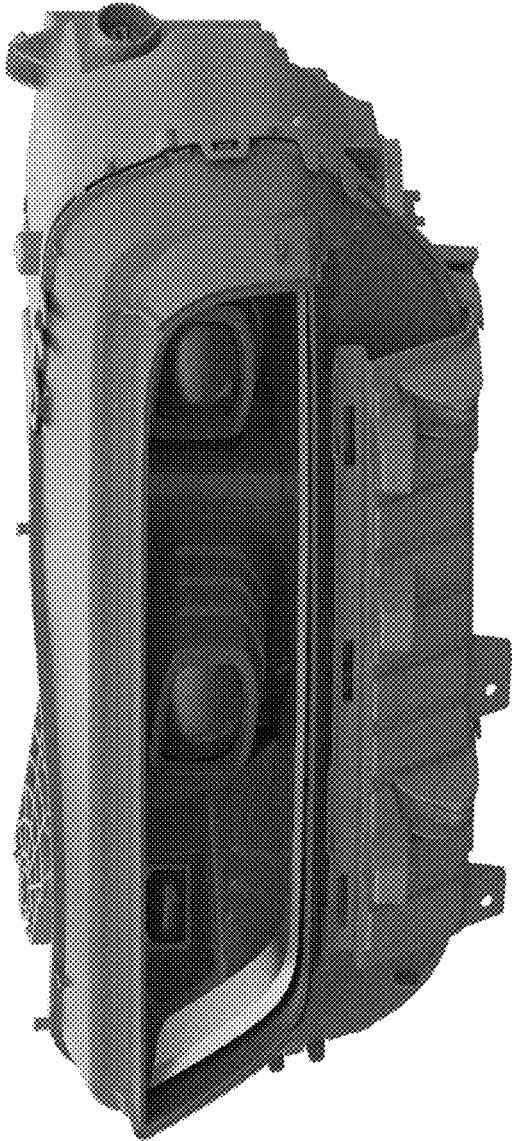


Fig. 2

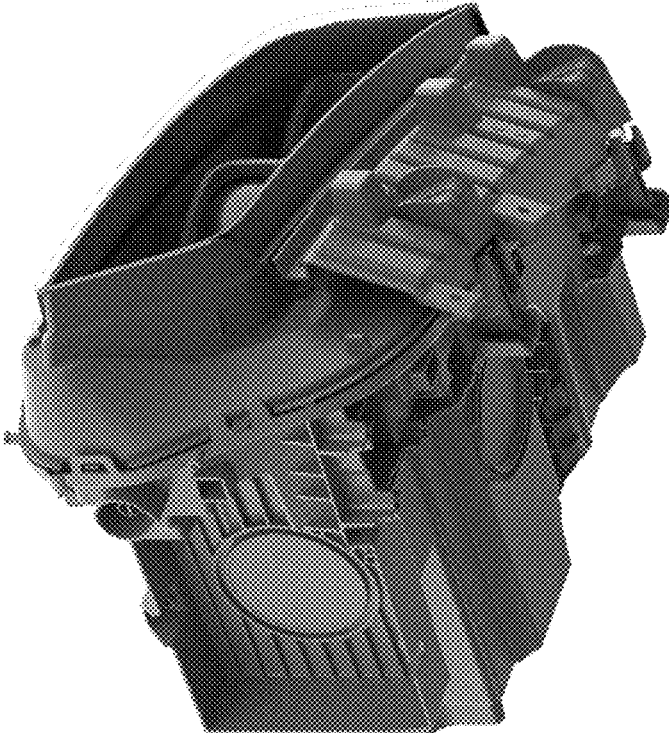


Fig. 3

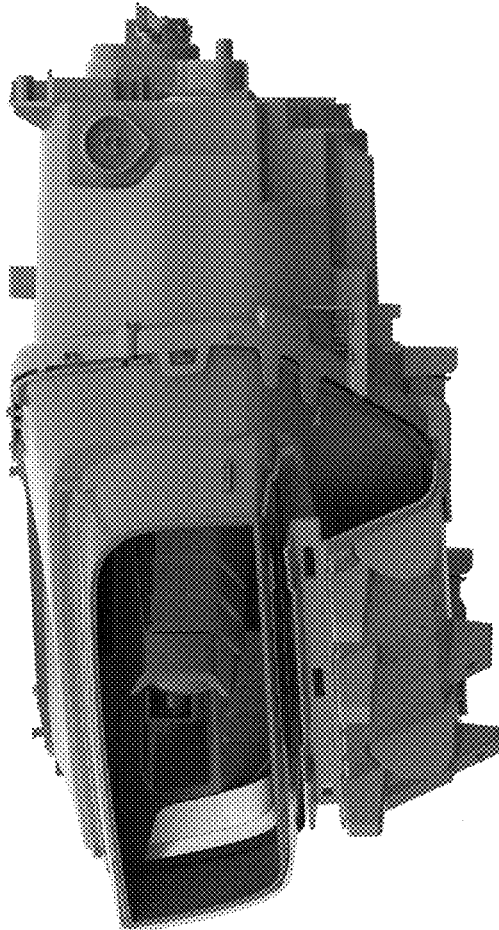


Fig. 4

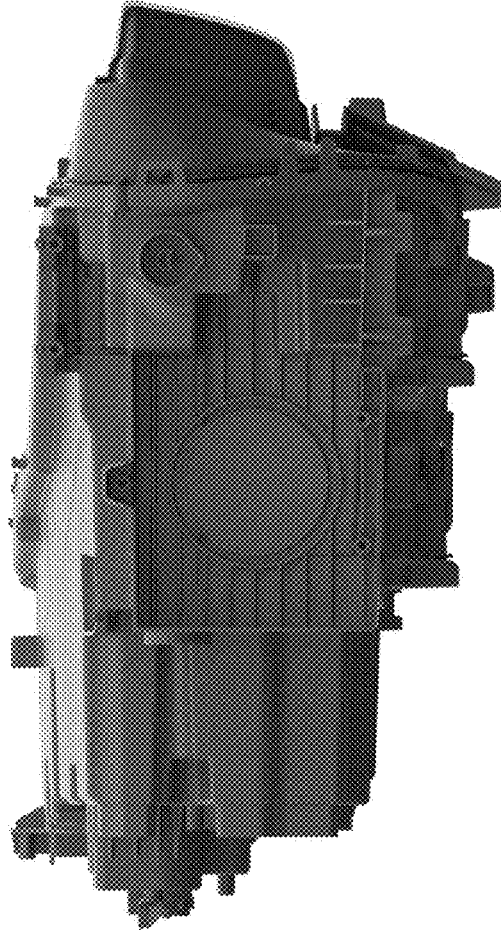


Fig. 5

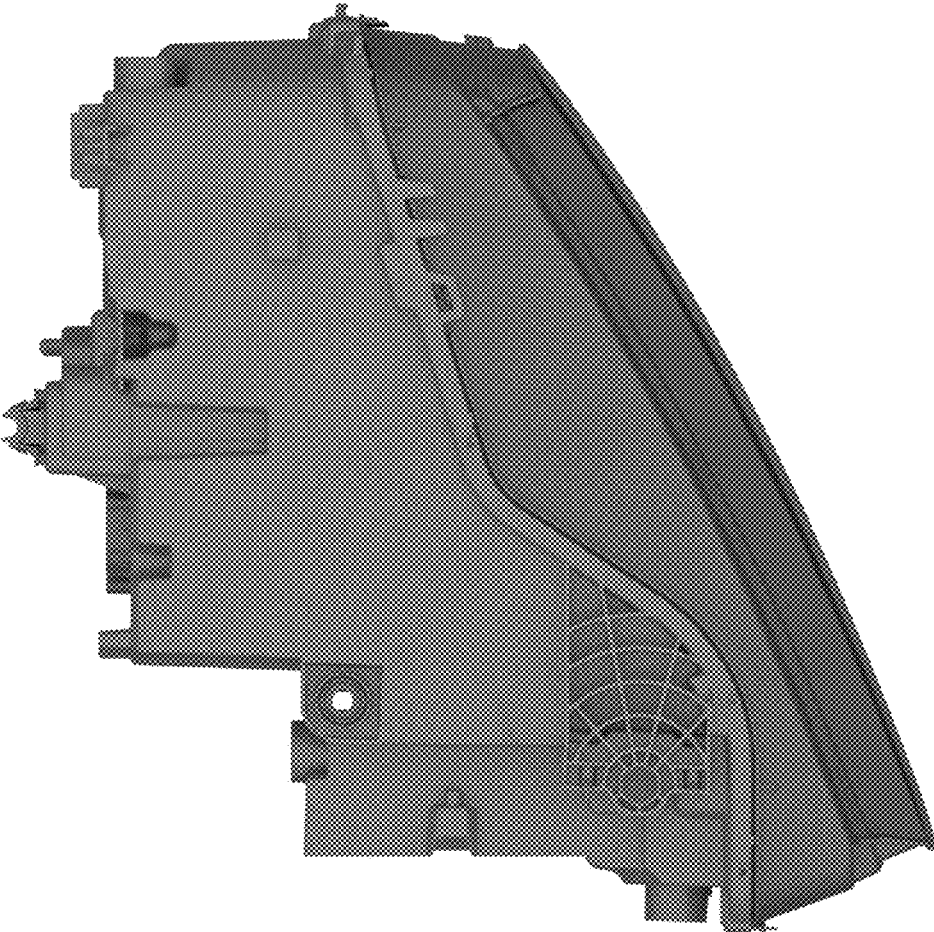


Fig. 6

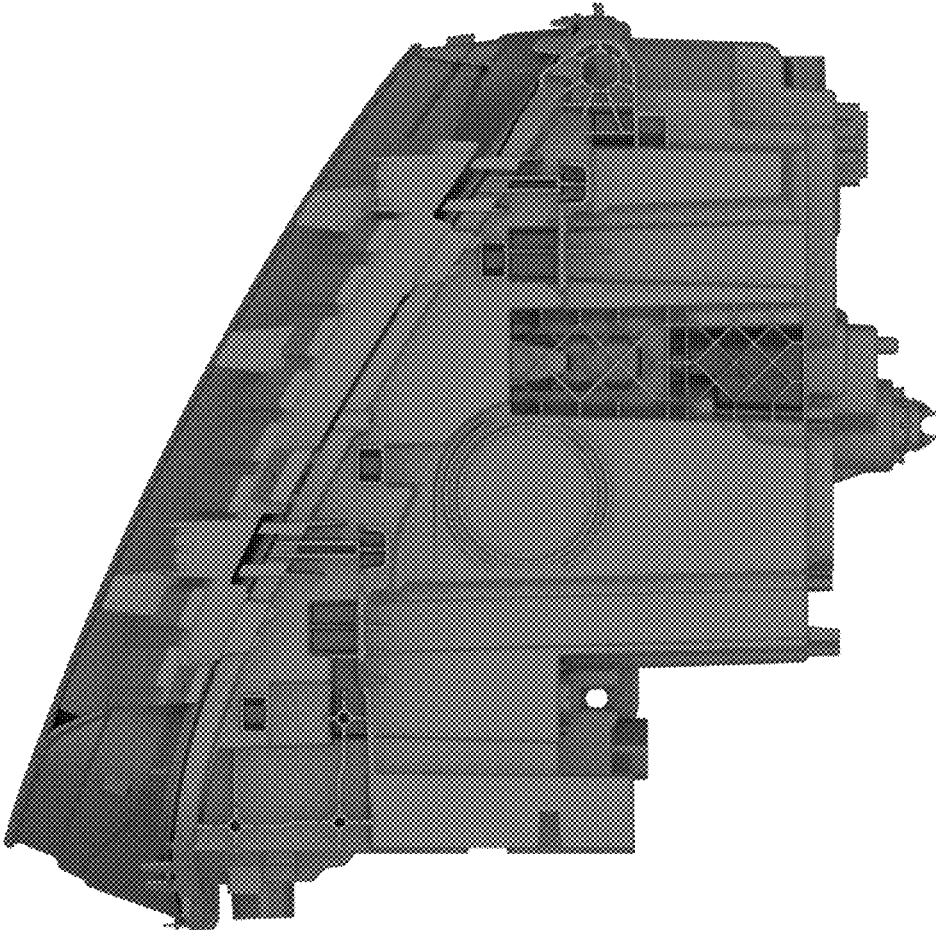


Fig. 7

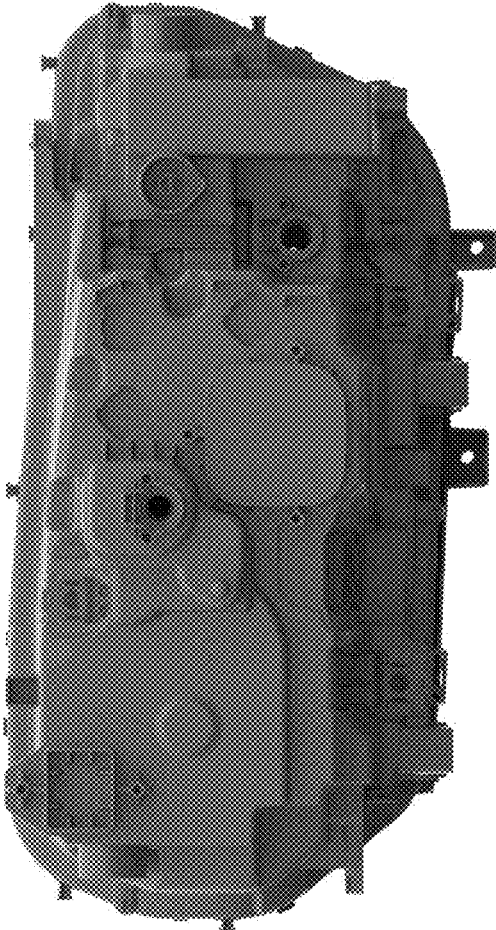


Fig. 8