



US00D640072S

(12) **United States Design Patent**  
**Sexton**

(10) **Patent No.:** **US D640,072 S**

(45) **Date of Patent:** **\*\* Jun. 21, 2011**

(54) **TV MOUNT SYSTEM**

(75) Inventor: **James S. Sexton**, San Ramon, CA (US)

(73) Assignee: **Z-Line Designs, Inc.**, San Ramon, CA (US)

(\*\*) Term: **14 Years**

(21) Appl. No.: **29/381,151**

(22) Filed: **Dec. 15, 2010**

**Related U.S. Application Data**

(62) Division of application No. 29/366,614, filed on Jul. 27, 2010, now Pat. No. Des. 630,871.

(51) **LOC (9) Cl.** ..... **06-04**

(52) **U.S. Cl.** ..... **D6/477**

(58) **Field of Classification Search** ..... D6/477-479, D6/474, 460-461, 466, 468, 511; 108/59, 108/91-92, 96; 211/40, 41.12, 42, 49.1, 211/50, 85.2, 187, 190; 312/9.1, 7.2, 107, 312/204, 238

See application file for complete search history.

(56) **References Cited**

**U.S. PATENT DOCUMENTS**

D474,047 S *	5/2003	Lara	.....	D6/479
D507,900 S *	8/2005	Sexton	.....	D6/474
D508,801 S *	8/2005	Holst	.....	D6/477
D537,658 S *	3/2007	Tung	.....	D6/479
D539,565 S *	4/2007	Sexton, III	.....	D6/474
D539,566 S *	4/2007	Anderson	.....	D6/474

D564,261 S *	3/2008	Sculler	.....	D6/477
D570,620 S *	6/2008	Ongor	.....	D6/479
D590,636 S *	4/2009	Ou Yang et al.	.....	D6/477
D591,089 S *	4/2009	Sexton	.....	D6/479
D593,776 S *	6/2009	Sexton	.....	D6/478
D594,001 S *	6/2009	Sexton	.....	D14/239
D595,978 S *	7/2009	Portnoy et al.	.....	D6/477
D607,671 S *	1/2010	Sexton	.....	D6/479
D609,942 S *	2/2010	Sexton	.....	D6/477
D618,015 S *	6/2010	Sexton	.....	D6/477
D630,870 S *	1/2011	Sexton	.....	D6/477

\* cited by examiner

*Primary Examiner* — Elizabeth A Albert

*Assistant Examiner* — Kelley A Donnelly

(74) *Attorney, Agent, or Firm* — Kilpatrick Townsend & Stockton LLP

(57) **CLAIM**

The ornamental design for a TV mount system, as shown and described.

**DESCRIPTION**

FIG. 1 is a perspective view of a TV mount system showing my new design;

FIG. 2 is a front elevational view thereof;

FIG. 3 is a rear elevational view thereof;

FIG. 4 is a right side elevational view thereof;

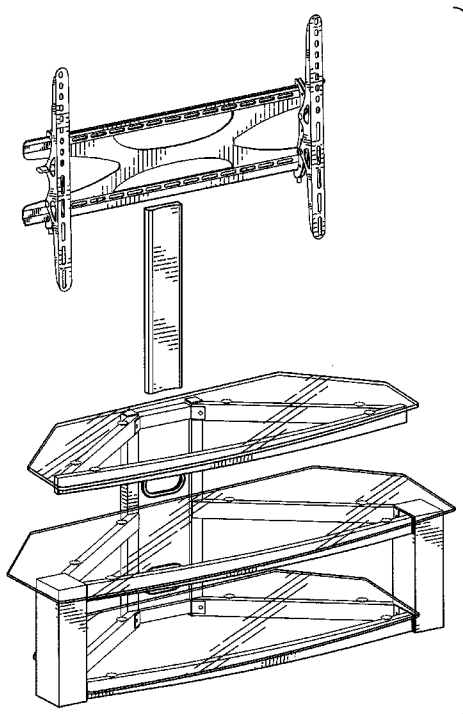
FIG. 5 is a left side elevational view thereof;

FIG. 6 is a top plan view thereof; and,

FIG. 7 is a bottom plan view thereof.

The broken lines are for the purpose of illustrating the environment of the design only and form no part of the claimed design.

**1 Claim, 5 Drawing Sheets**



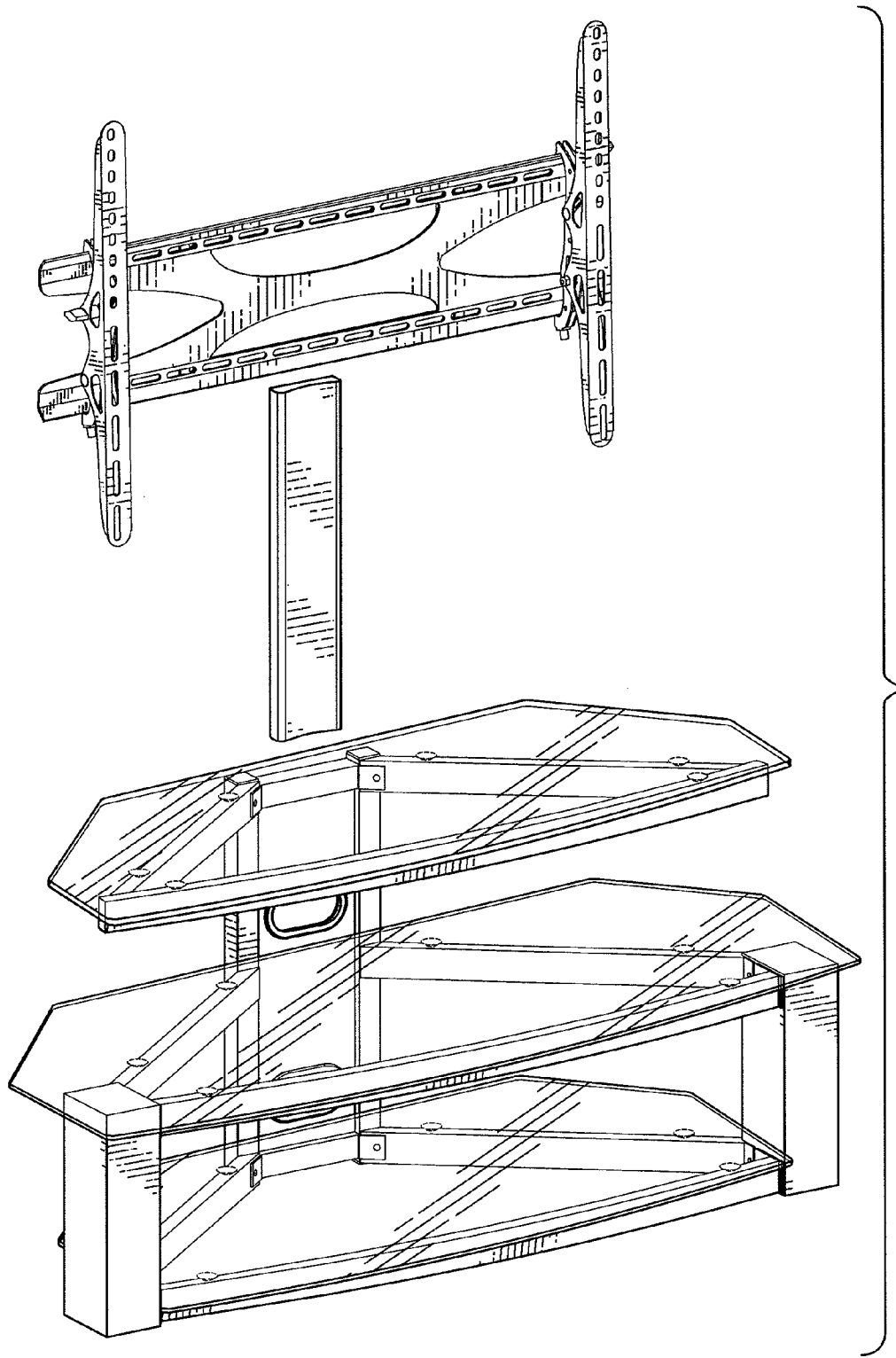


FIG. 1

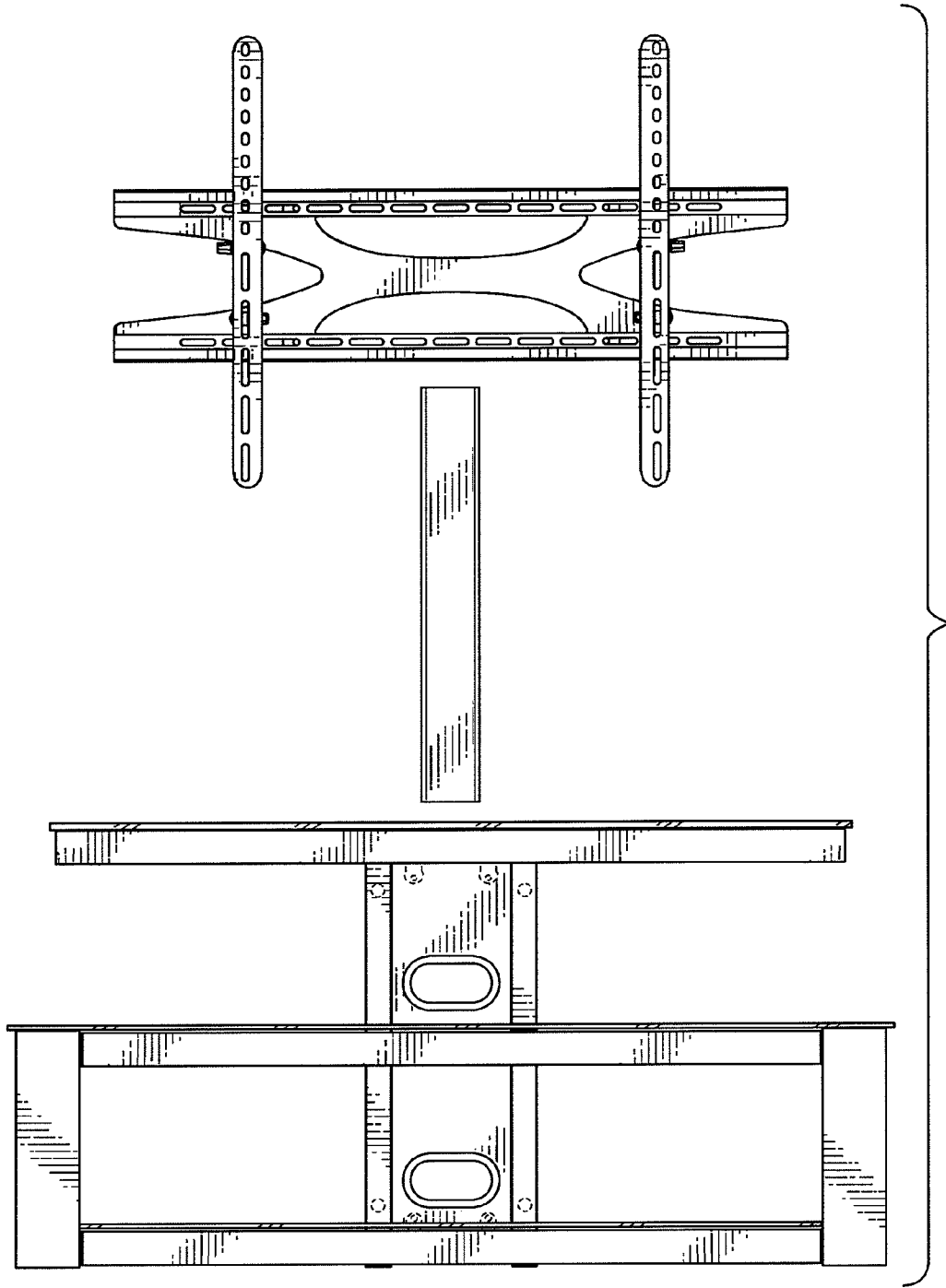


FIG. 2

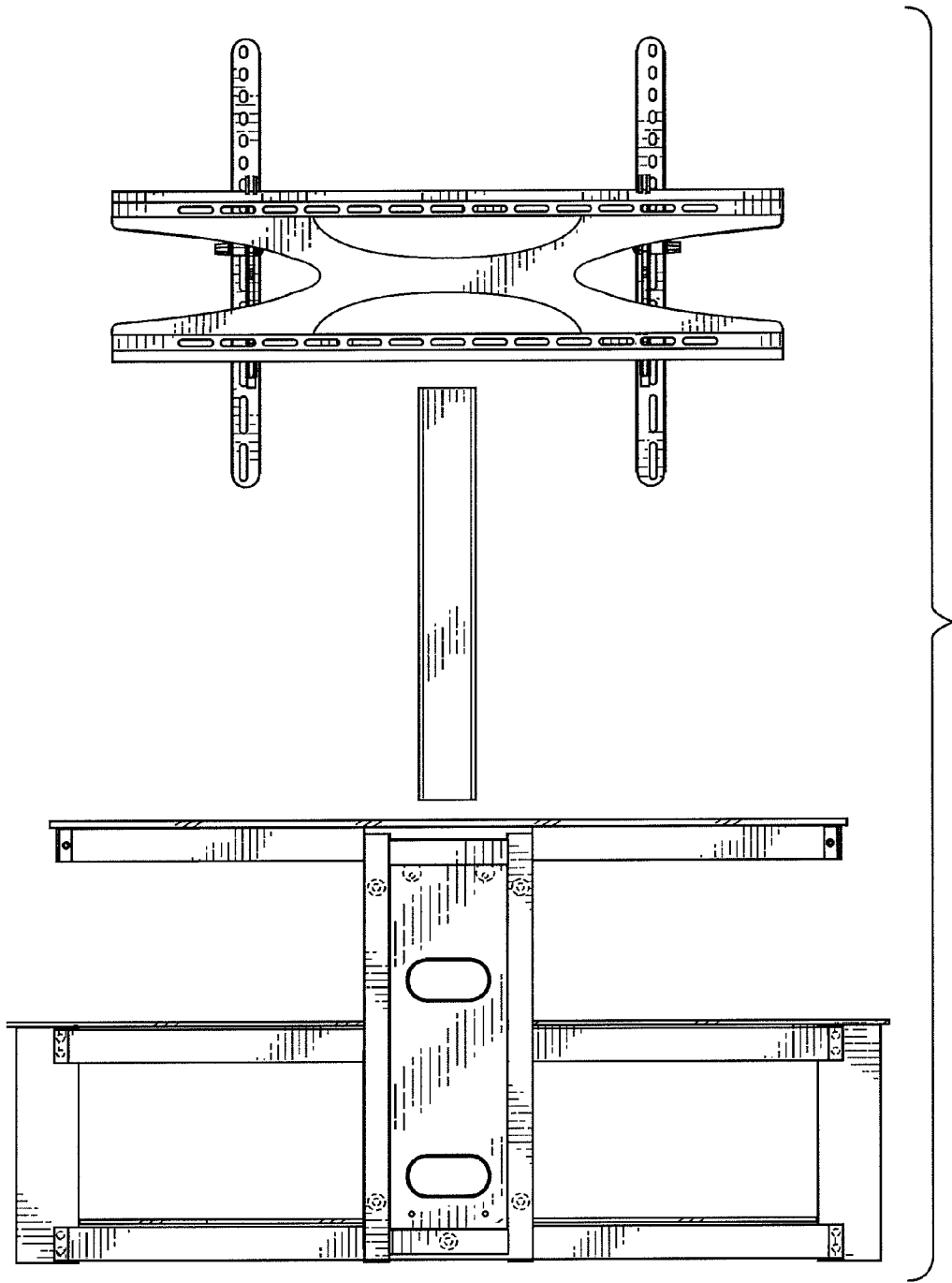


FIG. 3

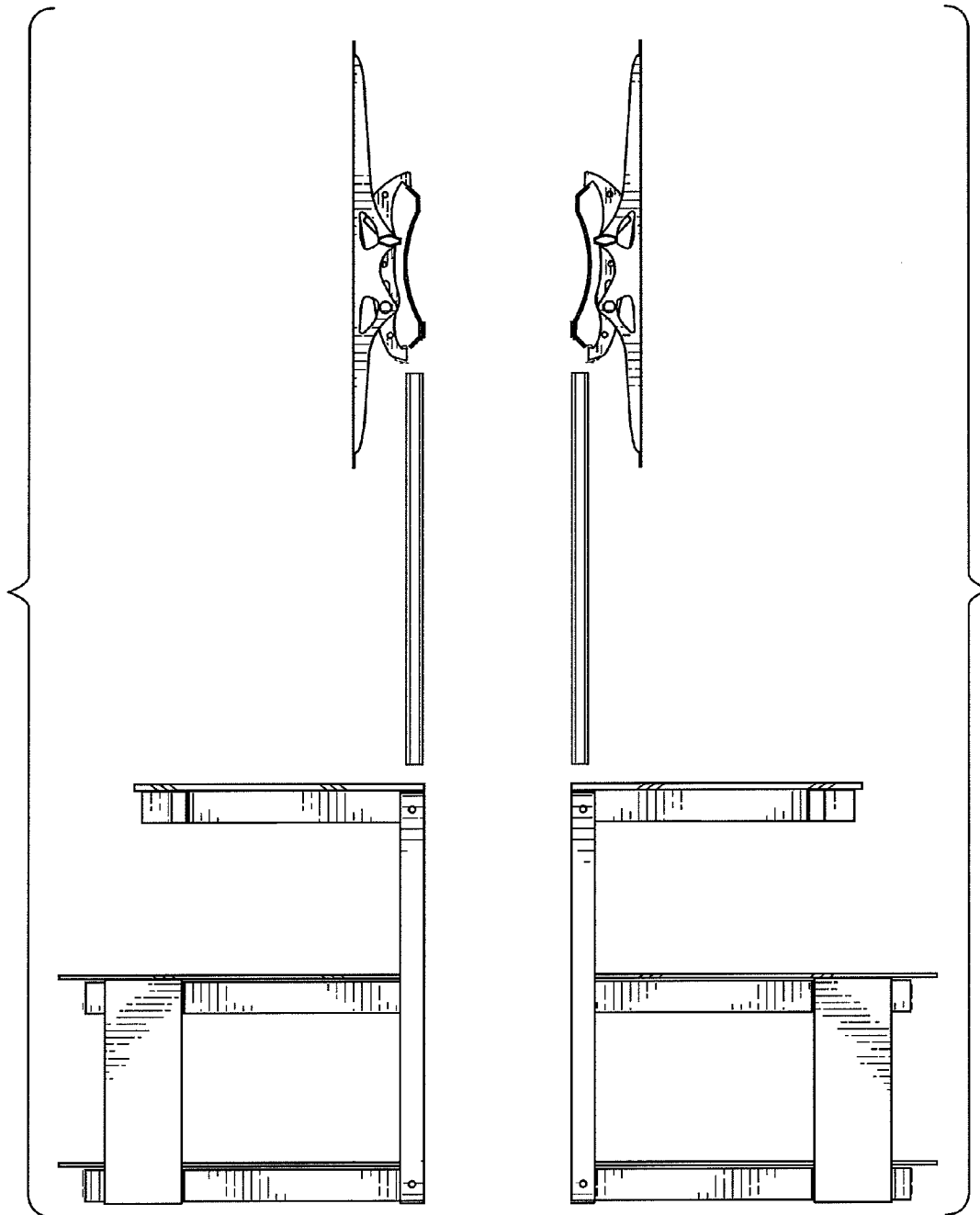


FIG. 4

FIG. 5

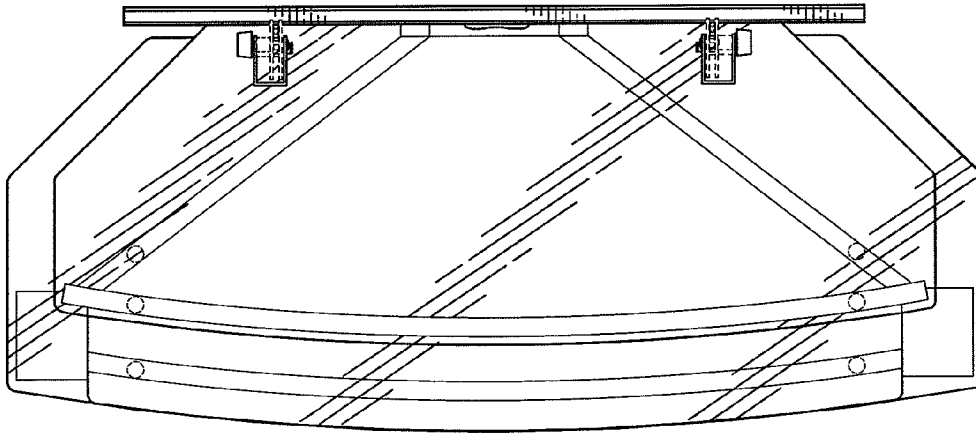


FIG. 6

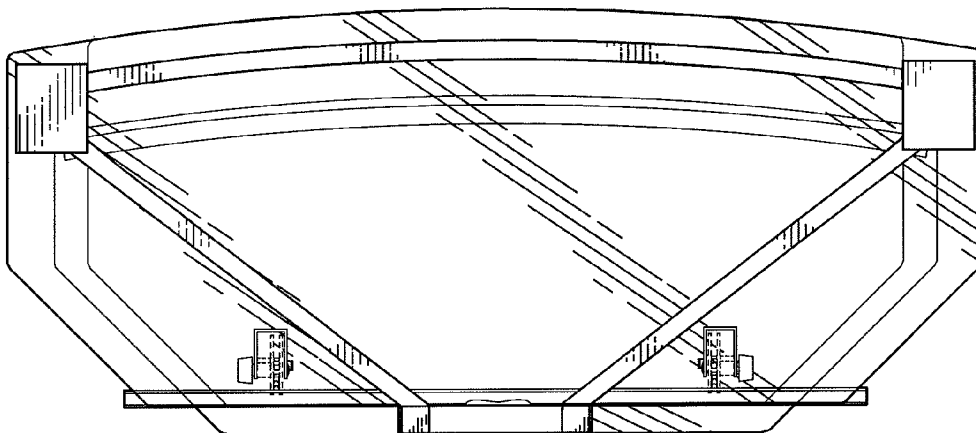


FIG. 7