



US00D427308S

# United States Patent [19]

Zinger

[11] Patent Number: Des. 427,308

[45] Date of Patent: \*\* Jun. 27, 2000

[54] VIAL ADAPTER

[75] Inventor: Fredy Zinger, Raanana, Israel

[73] Assignee: Medimop Medical Projects Ltd., Raanana, Israel

[\*\*] Term: 14 Years

[21] Appl. No.: 29/099,525

[22] Filed: Jan. 22, 1999

[51] LOC (7) Cl. .... 24-02

[52] U.S. Cl. .... D24/129; D24/130

[58] Field of Search ..... D24/129, 130; 604/411, 414, 88, 412, 539, 537, 283, 416, 413

### [56] References Cited

#### U.S. PATENT DOCUMENTS

D. 267,199	12/1982	Koenig	.....	D24/129
D. 280,018	8/1985	Scott	.....	D24/130
4,759,756	7/1988	Forman et al.	.....	604/413
4,834,152	5/1989	Howson et al.	.....	604/416
5,211,638	5/1993	Dudar et al.	.....	604/283
5,344,417	9/1994	Wadsworth, Jr.	.....	604/414
5,364,387	11/1994	Sweeny	.....	604/411
5,989,237	11/1999	Fowles et al.	.....	604/413

#### FOREIGN PATENT DOCUMENTS

0637443 5/1994 European Pat. Off. .

Primary Examiner—Ian Simmons  
Attorney, Agent, or Firm—Ladas & Parry

### [57] CLAIM

I claim the ornamental design for a vial adapter, as shown and described.

### DESCRIPTION

FIG. 1 is a top perspective view of a first embodiment of the vial adapter;

FIG. 2 is a bottom perspective view thereof;

FIG. 3 is a top view thereof;

FIG. 4 is a front view thereof, the rear view being identical thereto;

FIG. 5 is a left side view thereof, the right side views being identical thereto;

FIG. 6 is a bottom view thereof;

FIG. 7 is a top perspective view of a second embodiment of the vial adapter;

FIG. 8 is a bottom perspective view of FIG. 7;

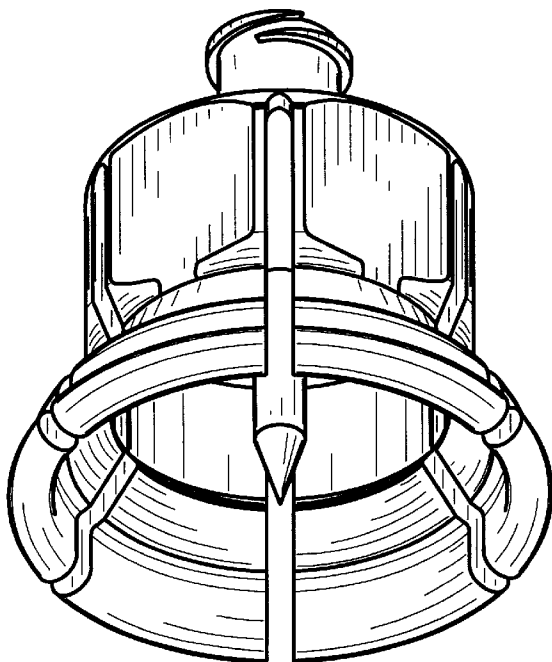
FIG. 9 is a top view of FIG. 7;

FIG. 10 is a front view thereof, the rear view being identical thereto;

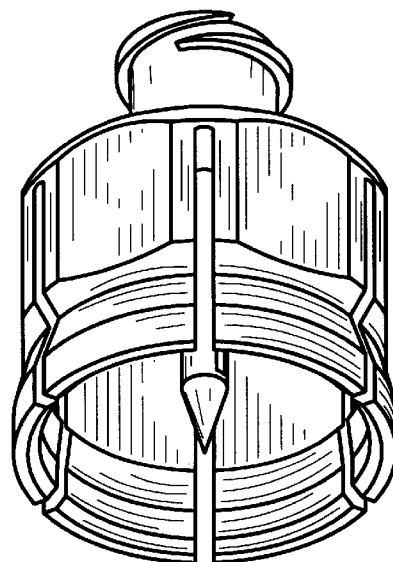
FIG. 11 is a left side view thereof, the right side views being identical thereto; and,

FIG. 12 is a bottom view of FIG. 7.

1 Claim, 4 Drawing Sheets



BOTTOM PERSPECTIVE VIEW



BOTTOM PERSPECTIVE VIEW

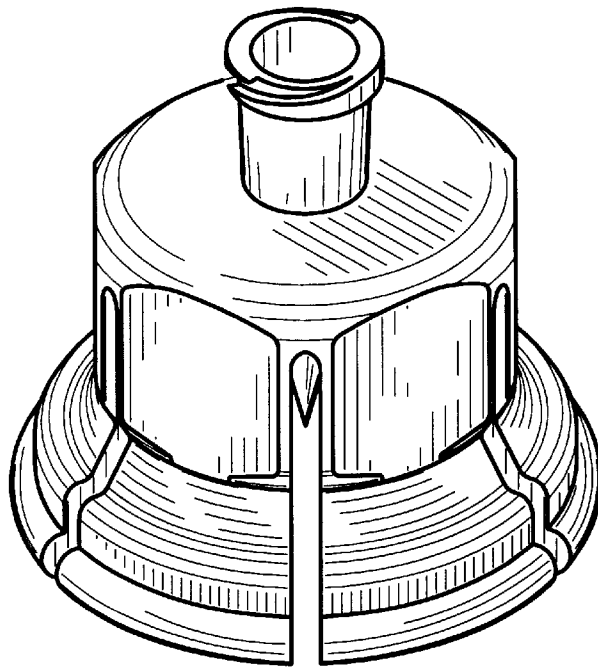


FIG. 1  
TOP PERSPECTIVE VIEW

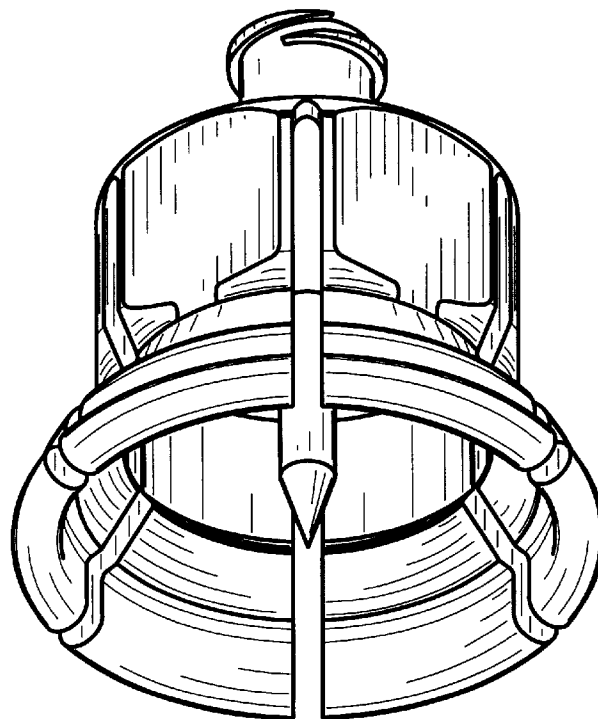


FIG. 2  
BOTTOM PERSPECTIVE VIEW

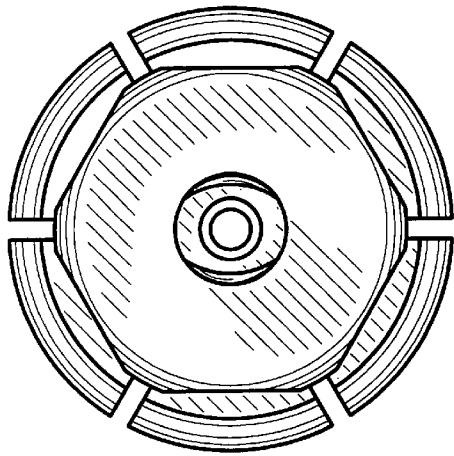


FIG. 3  
TOP VIEW

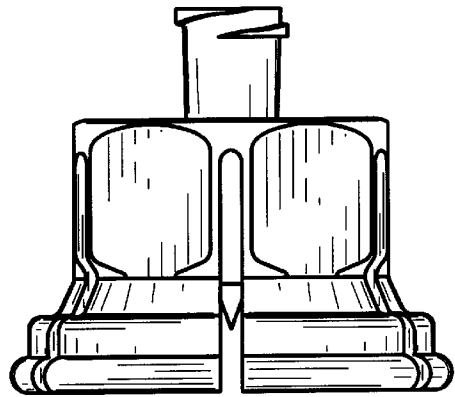


FIG. 4  
FRONT VIEW

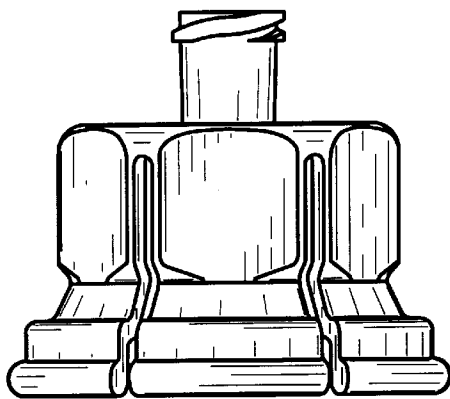


FIG. 5  
LEFT SIDE VIEW

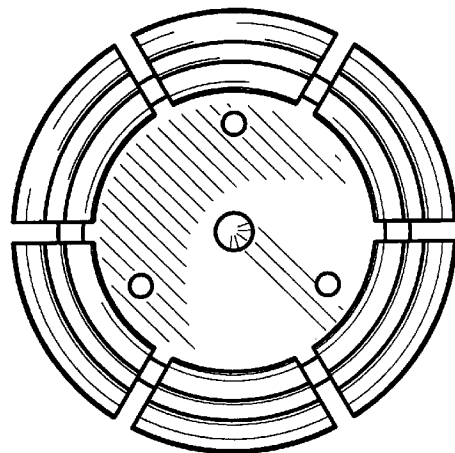


FIG. 6  
BOTTOM VIEW

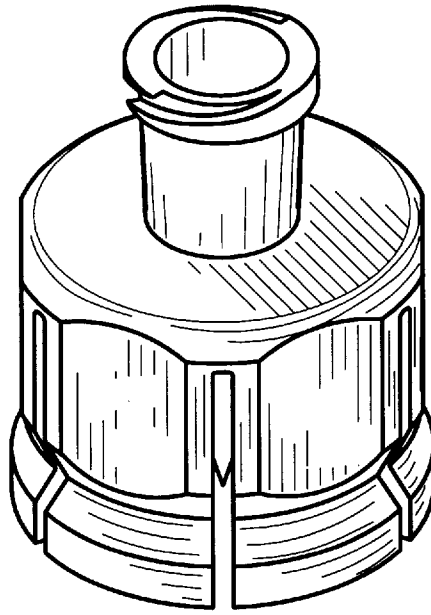


FIG. 7  
TOP PERSPECTIVE VIEW

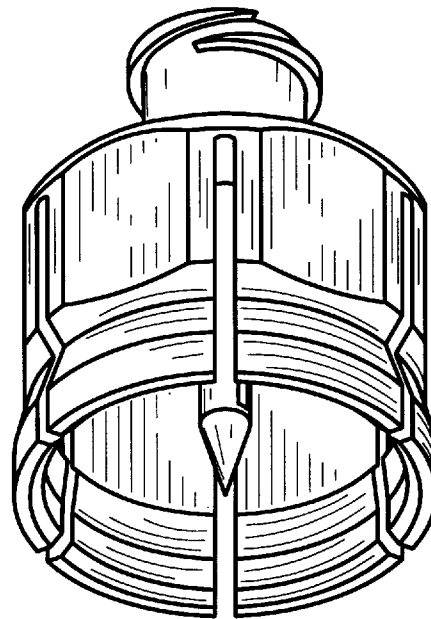


FIG. 8  
BOTTOM PERSPECTIVE VIEW

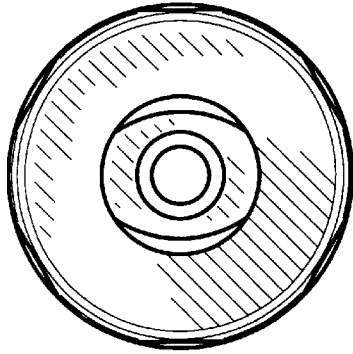


FIG. 9  
TOP VIEW

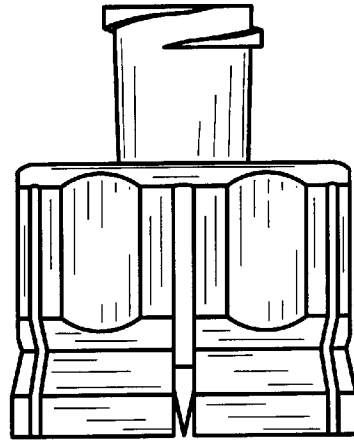


FIG. 10  
FRONT VIEW

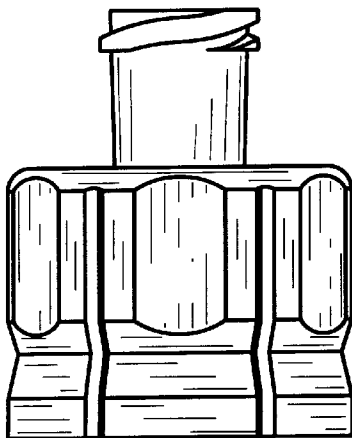


FIG. 11  
LEFT SIDE VIEW

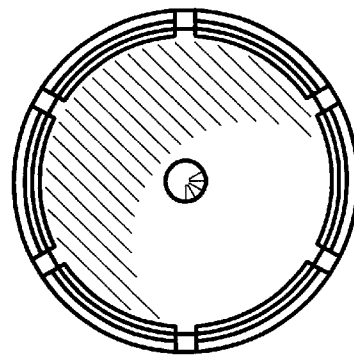


FIG. 12  
BOTTOM VIEW