



US00D591261S

(12) **United States Design Patent**  
**Holger**

(10) **Patent No.:** **US D591,261 S**

(45) **Date of Patent:** **\*\* Apr. 28, 2009**

(54) **ENTRY PHONE**

(75) Inventor: **Quick Holger**, Milan (IT)

(73) Assignee: **VIMAR S.p.A.** (IT)

(\*\*) Term: **14 Years**

(21) Appl. No.: **29/239,334**

(22) Filed: **Sep. 29, 2005**

D447,075 S *	8/2001	Roberts	.....	D10/106
D455,746 S *	4/2002	Ronzani et al.	.....	D14/344
D460,708 S *	7/2002	Ohm et al.	.....	D10/104
D461,471 S *	8/2002	Newman et al.	.....	D14/344
D472,887 S *	4/2003	Right et al.	.....	D14/172
D489,353 S *	5/2004	Right et al.	.....	D14/172
D490,396 S *	5/2004	Yamaguchi et al.	.....	D14/159
D490,441 S *	5/2004	Inoue et al.	.....	D14/496
D500,748 S *	1/2005	Senda et al.	.....	D14/130
D502,156 S *	2/2005	Senda et al.	.....	D14/130
6,958,905 B2 *	10/2005	Hong et al.	.....	361/687

(30) **Foreign Application Priority Data**

Mar. 29, 2005 (EM) ..... 000317383

(Continued)

**FOREIGN PATENT DOCUMENTS**

(51) **LOC (9) Cl.** ..... **14-03**

(52) **U.S. Cl.** ..... **D14/142; D14/159**

(58) **Field of Classification Search** ..... D14/130,  
D14/137, 138, 140, 142, 147, 155, 159, 191,  
D14/218, 240, 247-248, 341-347, 496; D3/276,  
D3/282, 291, 294; D10/104, 106, 118, 65,  
D10/78, 108; D13/152, 156, 158, 177, 184,  
D13/168; D18/43, 7; D19/75; 455/556.1,  
455/566, 575.1, 575.3; 345/169

See application file for complete search history.

WO	DM/050020	*	11/1999
WO	DM/066328	*	10/2004
WO	DM/067115	*	6/2005

*Primary Examiner*—Jeffrey D Asch  
*Assistant Examiner*—Bridget L Eland  
(74) *Attorney, Agent, or Firm*—Banner & Witcoff, Ltd.

(57) **CLAIM**

The ornamental design for an entry phone, as shown and described.

(56) **References Cited**

**U.S. PATENT DOCUMENTS**

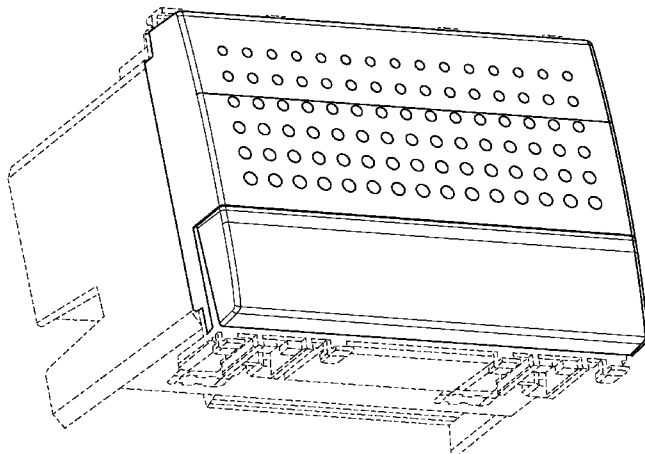
D241,322 S *	9/1976	Sparks et al.	.....	D10/106
D264,969 S *	6/1982	McGourty	.....	D14/496
D273,848 S *	5/1984	Monahan	.....	D10/106
D284,854 S *	7/1986	Vaillant	.....	D14/240
D306,704 S *	3/1990	Mallory	.....	D10/106
D336,895 S *	6/1993	Rogov	.....	D13/177
D338,656 S *	8/1993	Spayde et al.	.....	D14/341
D346,386 S *	4/1994	Brownlie et al.	.....	D14/240
D352,941 S *	11/1994	Bolton, Jr.	.....	D14/142
D364,618 S *	11/1995	Somoza	.....	D14/142
D365,562 S *	12/1995	Abrams	.....	D14/159
D367,859 S *	3/1996	Beaumont et al.	.....	D14/142
D377,652 S *	1/1997	Sarkiniemi	.....	D14/240
D388,061 S *	12/1997	Tuvy et al.	.....	D13/152
D390,134 S *	2/1998	Ingebritson et al.	.....	D10/50
D408,823 S *	4/1999	Kirby	.....	D14/240
D436,353 S *	1/2001	Taniguchi et al.	.....	D14/140.8

**DESCRIPTION**

FIG. 1 is a perspective view of an entry phone showing my new design;  
FIG. 2 is a front view thereof;  
FIG. 3 is a right side view thereof;  
FIG. 4 is a left side view thereof;  
FIG. 5 is a bottom view thereof; and,  
FIG. 6 is a top view thereof.

The broken line showing of the remainder of the entry phone is for illustrative purposes only and forms no part of the claimed design.

**1 Claim, 3 Drawing Sheets**



# US D591,261 S

Page 2

---

## U.S. PATENT DOCUMENTS

D513,199 S *	12/2005	Costa et al. ....	D10/106	D534,885 S *	1/2007	Holger .....	D14/130
D525,963 S *	8/2006	Yukikado et al. ....	D14/159	D536,271 S *	2/2007	Moore .....	D10/50
D529,904 S *	10/2006	Yeo .....	D14/240	D559,234 S *	1/2008	Girard .....	D14/240
D531,160 S *	10/2006	Yukikado et al. ....	D14/159	D559,719 S *	1/2008	Schaeken et al. ....	D10/106
D533,793 S *	12/2006	Moore .....	D10/50	D575,764 S *	8/2008	Nakashima .....	D14/159

\* cited by examiner

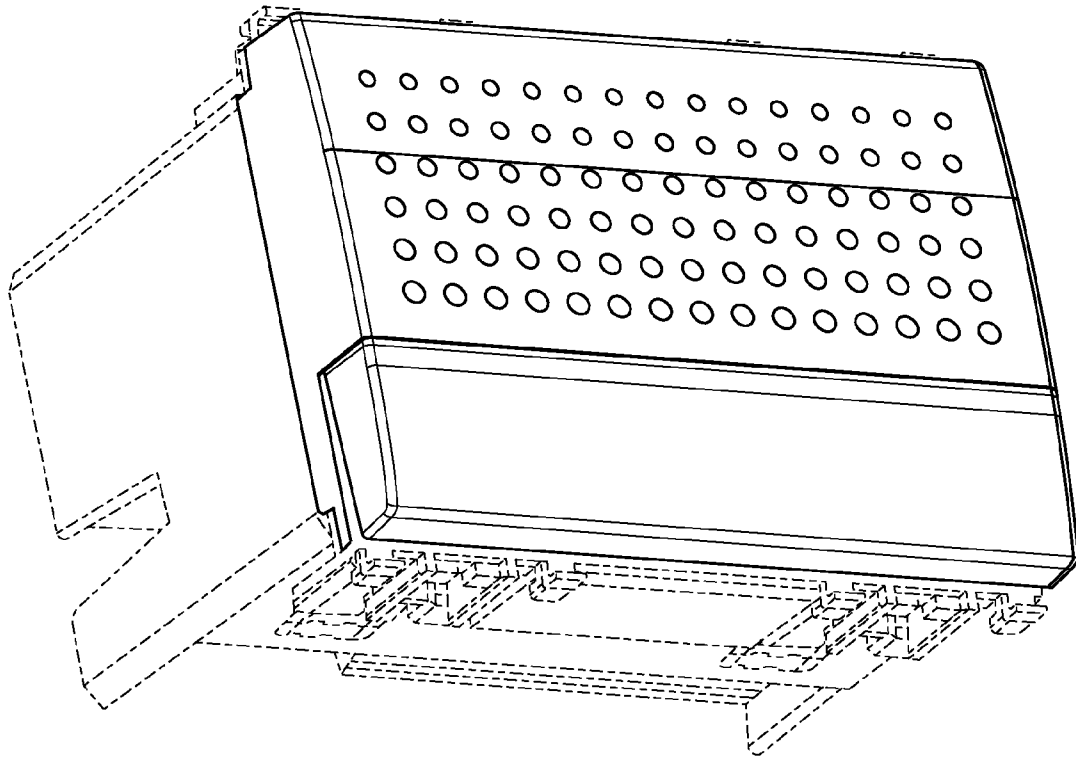


FIG. 1

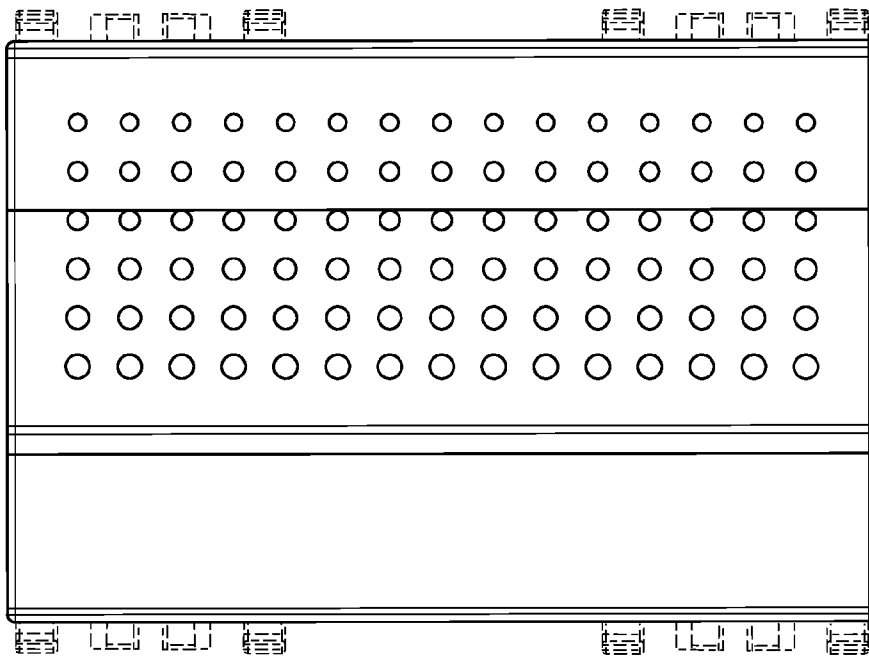


FIG. 2

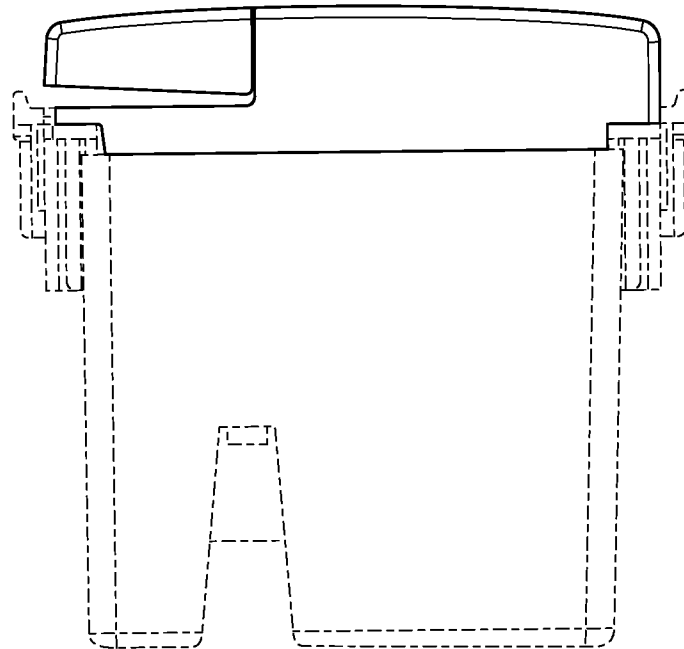


FIG. 3

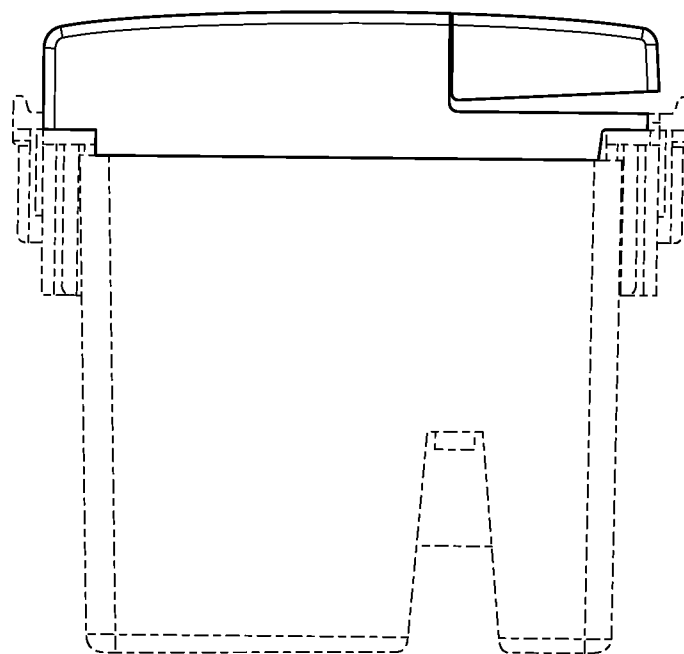


FIG. 4

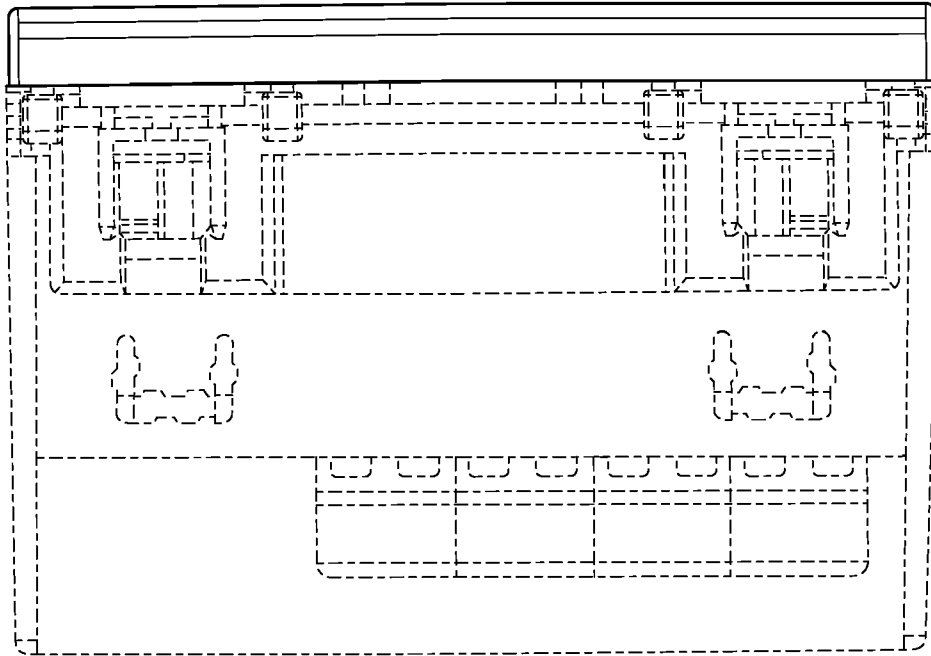


FIG. 5

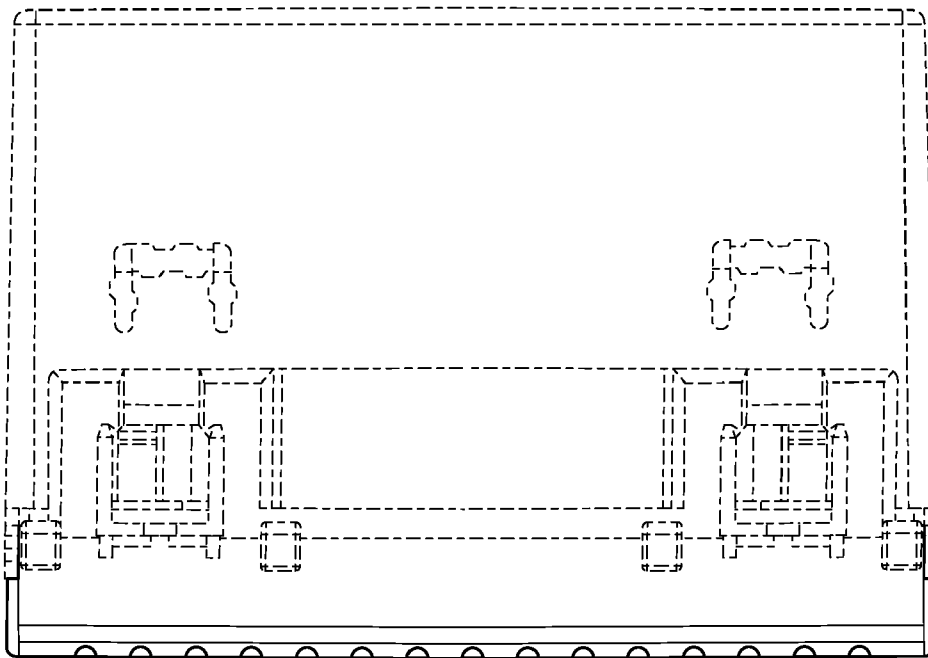


FIG. 6