



US00D983657S

(12) **United States Design Patent**
Takano

(10) **Patent No.:** **US D983,657 S**
(45) **Date of Patent:** **** Apr. 18, 2023**

(54) **PACKAGING CONTAINER LID**

6,766,919 B2 * 7/2004 Huang B65D 83/0805
221/63
D506,132 S * 6/2005 De-Vries D9/430
D529,802 S * 10/2006 Jelich D9/449
D530,204 S * 10/2006 Zaidman D9/449
(Continued)

(71) Applicant: **KY7 Ltd.**, Tokyo (JP)

(72) Inventor: **Akira Takano**, Tokyo (JP)

(73) Assignee: **KY7 Ltd.**, Tokyo (JP)

FOREIGN PATENT DOCUMENTS

(**) Term: **15 Years**

GB 8077020000-1000 * 10/2011

(21) Appl. No.: **29/764,712**

OTHER PUBLICATIONS

(22) Filed: **Dec. 31, 2020**

Pampers Baby Wipes Complete Clean Baby Fresh Scent 9X 80 Pop-Top—720 Count by Pampers Online, published date Feb. 27, 2018. Retrieved on Oct. 5, 2022 from URL:https://www.amazon.com/Pampers-Wipes-Complete-Scented-Pop-Top/dp/B077VM4C38 (Year: 2018).*

(30) **Foreign Application Priority Data**

Jul. 3, 2020 (JP) 2020-013692 D

(51) **LOC (14) CL.** **09-03**

(52) **U.S. Cl.**

USPC **D9/428**; D9/449

(58) **Field of Classification Search**

USPC D3/273, 294, 318; D6/518–523;
D9/420, 435, 440, 443, 447, 449, 453,
D9/454, 516, 549, 734, 428; 206/225,
206/233, 389, 409; 221/26, 33, 45, 282,
221/284; 222/575

CPC B65D 43/22; B65D 43/24; B65D 47/0828;
B65D 83/0805; B65D 43/162; B65D
65/466; A47K 10/421; A47K 2010/3266;
B31D 1/005; B31D 5/02; B31D 5/04

See application file for complete search history.

(56) **References Cited**

U.S. PATENT DOCUMENTS

D283,488 S * 4/1986 Stevens D9/425
D283,489 S * 4/1986 Stevens D9/425
D414,637 S * 10/1999 Amundson D9/734
D422,408 S * 4/2000 Schwartz D3/273
D443,451 S * 6/2001 Buck D6/518
D466,807 S * 12/2002 Buck D9/425
D468,567 S * 1/2003 Trevett D6/515
D485,461 S * 1/2004 Sams D6/515

(Continued)

Primary Examiner — Jae Liang

Assistant Examiner — Royner Mendoza

(74) *Attorney, Agent, or Firm* — Sughrue Mion, PLLC

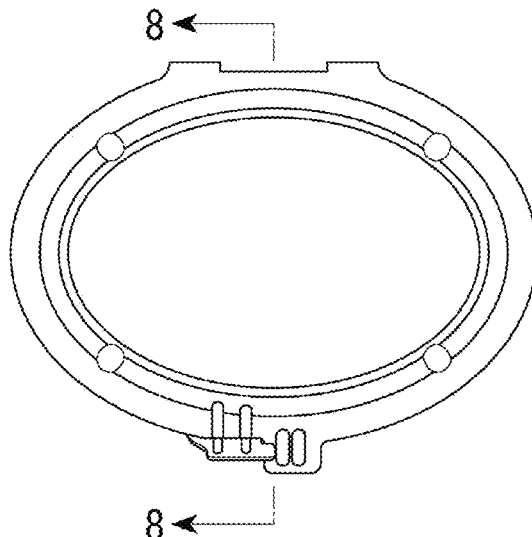
(57) **CLAIM**

The ornamental design for a packaging container lid, as shown and described.

DESCRIPTION

FIG. 1 is the top view of a packaging container lid in a closed position according to my new design;
FIG. 2 is the right view thereof;
FIG. 3 is the rear view thereof;
FIG. 4 is the perspective view thereof;
FIG. 5 is the perspective view of the lid in an open position;
FIG. 6 is the left view thereof;
FIG. 7 is the front view thereof;
FIG. 8 is the cross-sectional view thereof along the line 8-8 in FIG. 1; and,
FIG. 9 is the bottom view thereof.

1 Claim, 9 Drawing Sheets



(56)

References Cited

U.S. PATENT DOCUMENTS

D671,000 S * 11/2012 O'Neill B65D 75/5894
D9/449
8,499,959 B2 * 8/2013 Chasid B65D 75/5838
383/203
D696,944 S * 1/2014 Lepage D9/449
D729,062 S * 5/2015 Julius D9/435
D747,963 S * 1/2016 Scalise D9/425
D750,479 S * 3/2016 Scalise D9/425
D912,513 S * 3/2021 Moon D9/449
2010/0059524 A1 * 3/2010 Bartesaghi B65D 83/0805
220/521
2018/0079565 A1 * 3/2018 Seibert B65D 47/0828
2022/0242622 A1 * 8/2022 Takano B31D 5/00

OTHER PUBLICATIONS

Huggies Simply Clean Fragrance Free Wipes Soft Pack 64 ct by Huggies Online, published date N/A. Retrieved on Oct. 18, 2022 from URL:https://www.heb.com/product-detail/2193973?gclid=EAlalQobChMI9b7O08rqglVhdzlCh3G8gKcEAQYByABEgKXpPD_BwE (Year: 2022).*

Royal RPPRPBWU80 Baby Wipes Tub, Unscented, White, 80 Per Tub by Royal Online, published date N/A. Retrieved on Oct. 18, 2022 from URL:https://www.amazon.com/Royal-RPPRPBWU80-Wipes-Unscented-Carton/dp/B00LLE3FZQ/ref=asc_df_B00LLE3FZQ/?tag=hyprod-20&linkCode=df0&hvadid=533590893743&hvpos=&hvnetw=g&hvra (Year: 2022).*

* cited by examiner

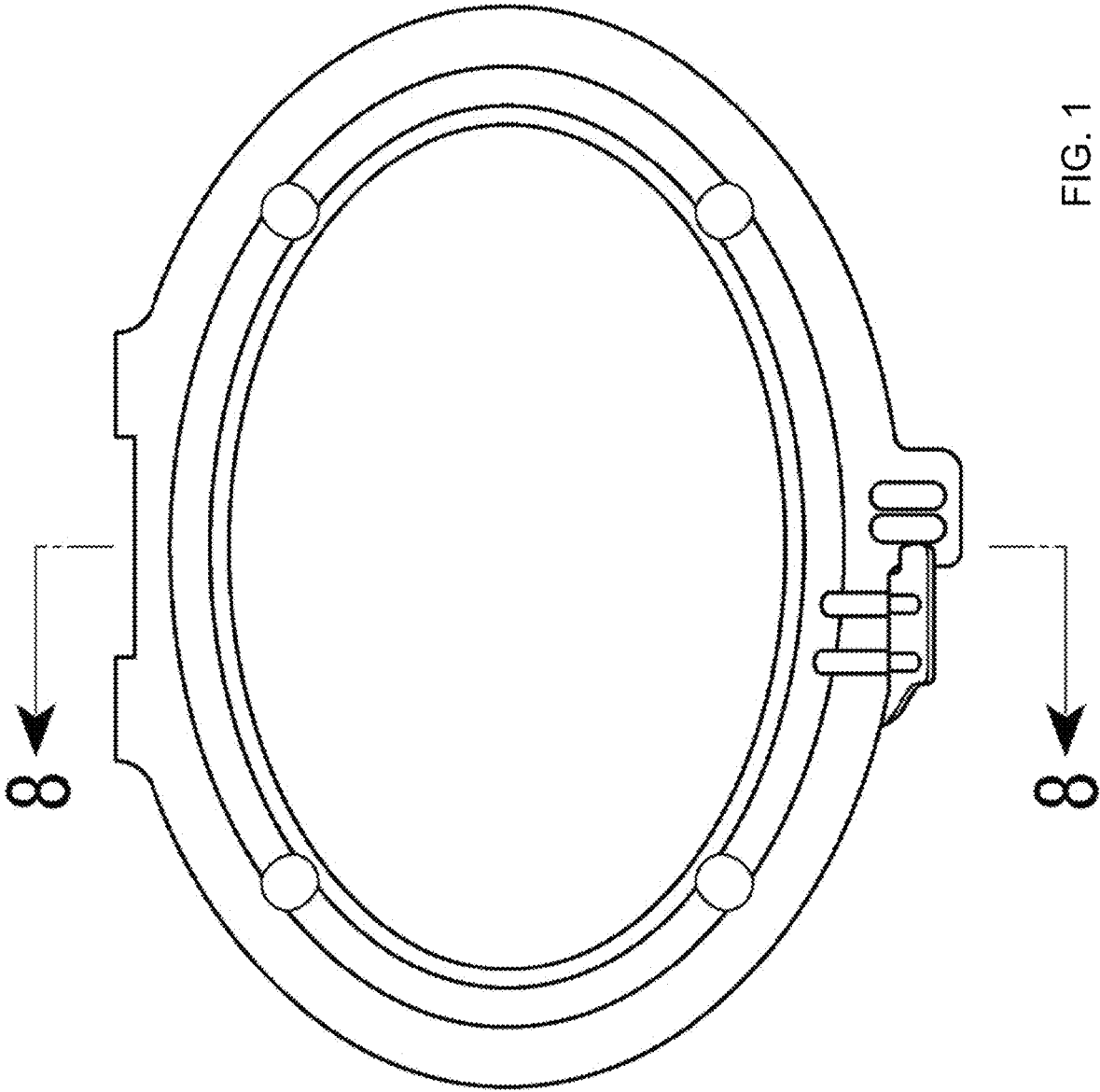


FIG. 1



Fig. 2



Fig. 3

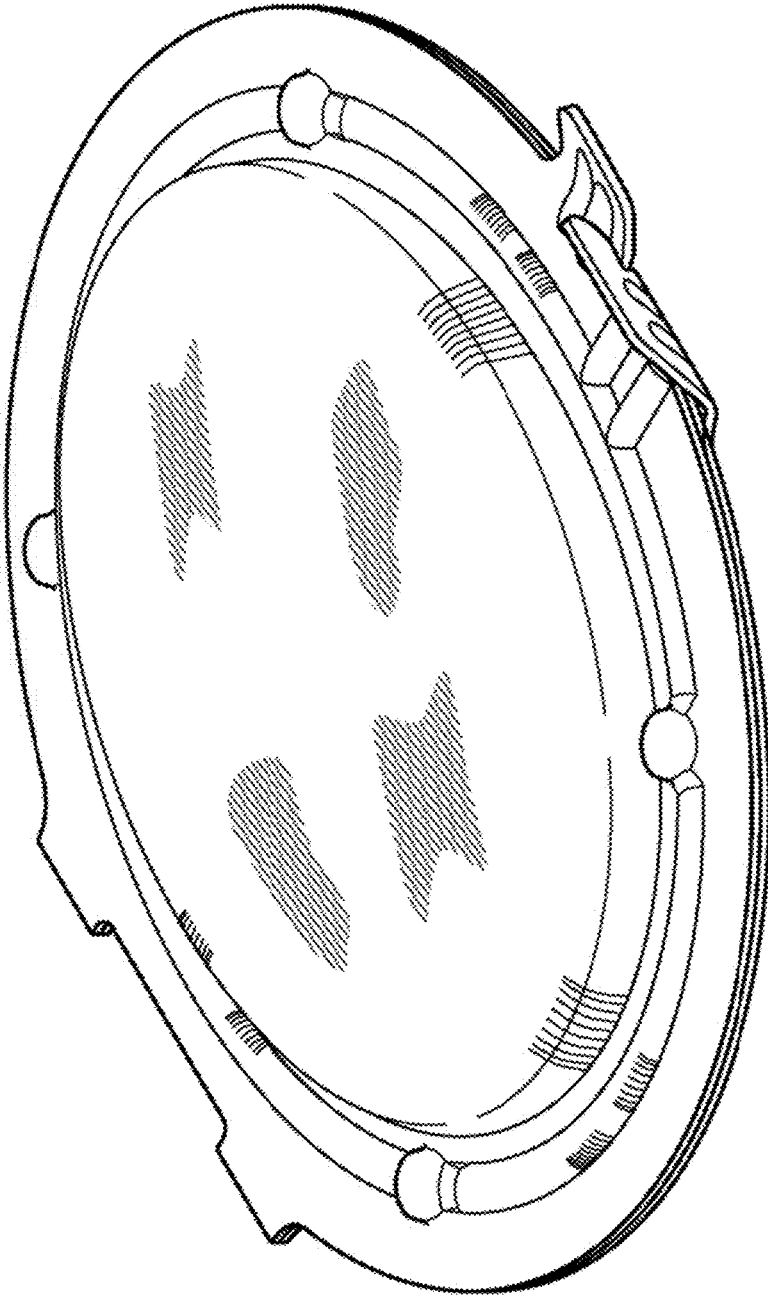


Fig. 4

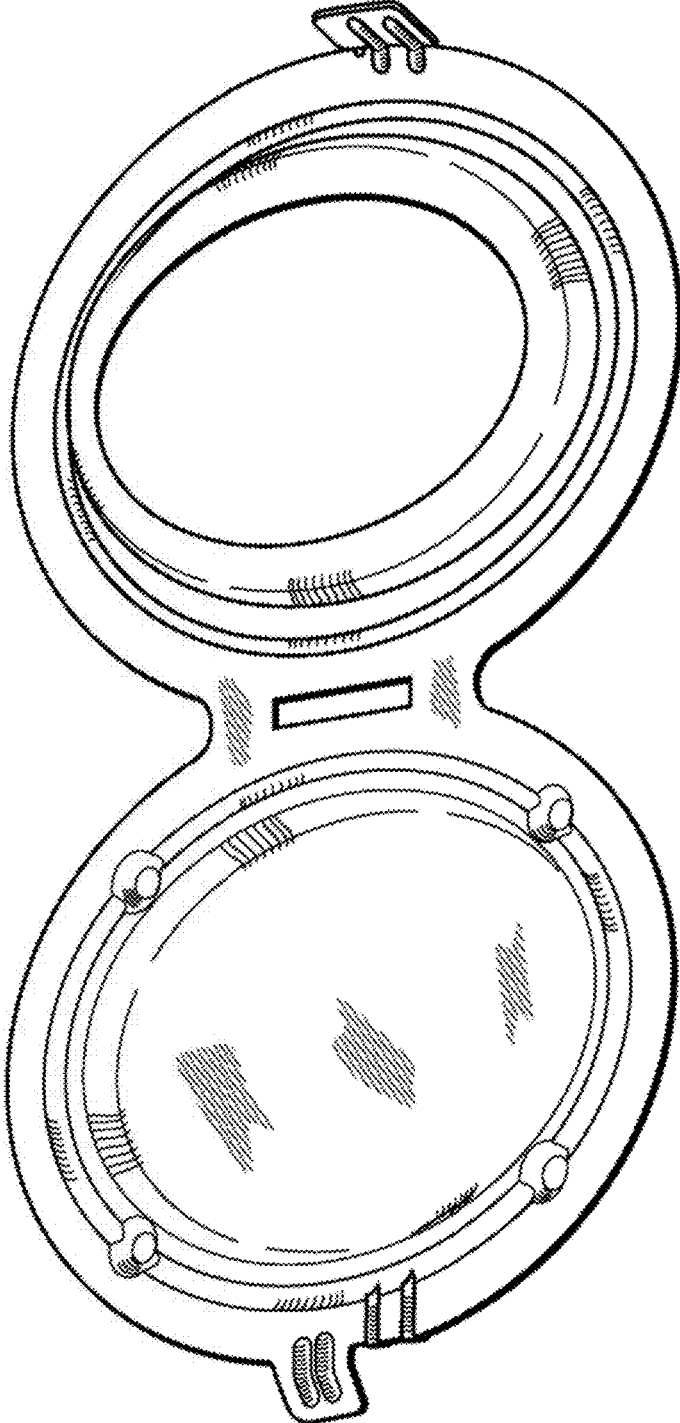


Fig. 5



Fig. 6



Fig. 7

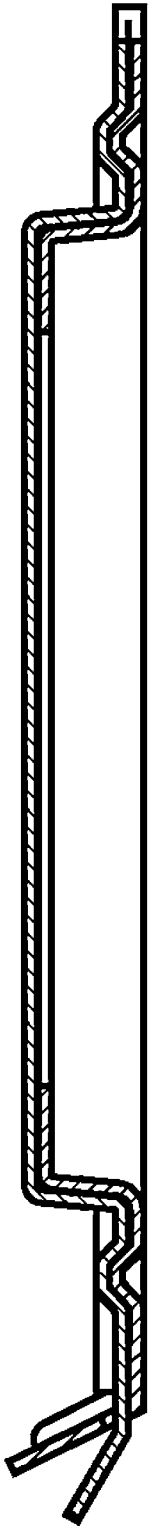


Fig. 8

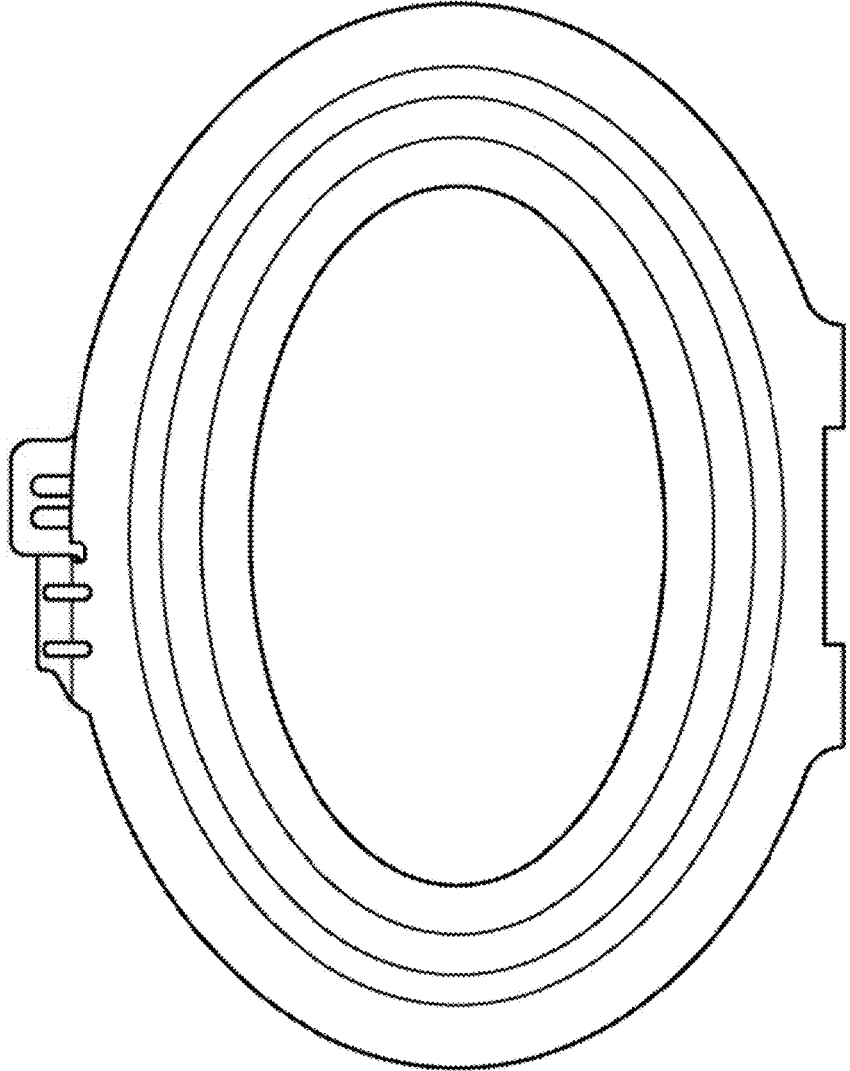


Fig. 9