



(12) **United States Design Patent**  
**Liao**

(10) **Patent No.:** **US D879,283 S**  
(45) **Date of Patent:** **\*\* Mar. 24, 2020**

(54) **PERSONAL FAN**

(71) Applicant: **Xing Liao**, Shenzhen (CN)  
(72) Inventor: **Xing Liao**, Shenzhen (CN)  
(\*\*) Term: **15 Years**

(21) Appl. No.: **29/610,489**

(22) Filed: **Jul. 12, 2017**

(51) **LOC (12) Cl.** ..... **23-04**

(52) **U.S. Cl.**  
USPC ..... **D23/382**

(58) **Field of Classification Search**  
USPC ..... D23/370–379, 381–385, 411–414, 360,  
D23/314, 335, 328, 332  
CPC . F04D 5/00; F04D 27/00; F04D 25/10; F04D  
29/64; F04D 19/00; F24H 3/04; B65D  
71/00

See application file for complete search history.

(56) **References Cited**

**U.S. PATENT DOCUMENTS**

5,304,035	A *	4/1994	Carter	.....	F04D 25/084 224/258
D384,144	S *	9/1997	DuBois	.....	D23/332
D406,331	S *	3/1999	Chan	.....	D23/332
D414,550	S *	9/1999	Bloom	.....	D23/328
6,155,782	A *	12/2000	Hsu	.....	F04D 25/084 415/126
D529,166	S *	9/2006	Geringer	.....	D23/379
D669,976	S *	10/2012	Hsu	.....	D23/382
D676,535	S *	2/2013	Barrett	.....	D23/328
D818,109	S *	5/2018	Junkel	.....	D23/382
D841,796	S *	2/2019	Freeland	.....	D23/382
2012/0087812	A1 *	4/2012	Greenberg	.....	F04D 25/08 417/410.1

**OTHER PUBLICATIONS**

Lumena Portable Fan, Amazon, Reviewed Aug. 29, 2019, <https://www.amazon.com/LUMENA-Portable-Wireless-Charging-Adjustable> (Year: 2019).\*  
Battery Handheld Amazon Reviewed Jun. 26, 2019, [https://www.amazon.com/Battery-Handheld-Fan-Portable-Operated/dp/B07PXB1L1L/ref=cm\\_cr\\_ap\\_d\\_product\\_top?ie=UTF8](https://www.amazon.com/Battery-Handheld-Fan-Portable-Operated/dp/B07PXB1L1L/ref=cm_cr_ap_d_product_top?ie=UTF8) (Year: 2019).\*  
Desk Fan Bengoo USB, Amazon Reviewed Jul. 11, 2018, [https://www.amazon.com/BENGOO-Handheld-Rechargeable-Detachable-Household/dp/B07DRJZR9G/ref=cm\\_cr\\_ap\\_d\\_product\\_top?ie=UTF8](https://www.amazon.com/BENGOO-Handheld-Rechargeable-Detachable-Household/dp/B07DRJZR9G/ref=cm_cr_ap_d_product_top?ie=UTF8) (Year: 2018).\*  
Handfan Portable Fan, Amazon Reviewed Jun. 14, 2018, [https://www.amazon.com/HandFan-Portable-Rechargeable-Charging-Adjustable/dp/B06XW4P6X2/ref=cm\\_cr\\_ap\\_d\\_product\\_top?ie=UTF8](https://www.amazon.com/HandFan-Portable-Rechargeable-Charging-Adjustable/dp/B06XW4P6X2/ref=cm_cr_ap_d_product_top?ie=UTF8) (Year: 2018).\*

\* cited by examiner

*Primary Examiner* — Janice Hallmark

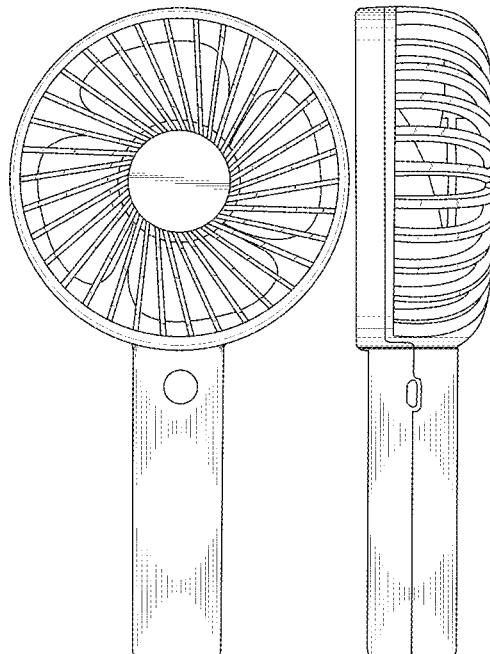
(57) **CLAIM**

The ornamental design for a personal fan, as shown and described.

**DESCRIPTION**

FIG. 1 is a front elevational view of a personal fan showing my new design;  
FIG. 2 is a rear elevational view thereof;  
FIG. 3 is a left side elevational view thereof;  
FIG. 4 is a right side elevational view thereof;  
FIG. 5 is a perspective view thereof; and,  
FIG. 6 is a perspective view thereof, showing the personal fan with the stand.  
The broken lines in the FIG. 6 depict the environment that form no part of the claimed design.

**1 Claim, 6 Drawing Sheets**



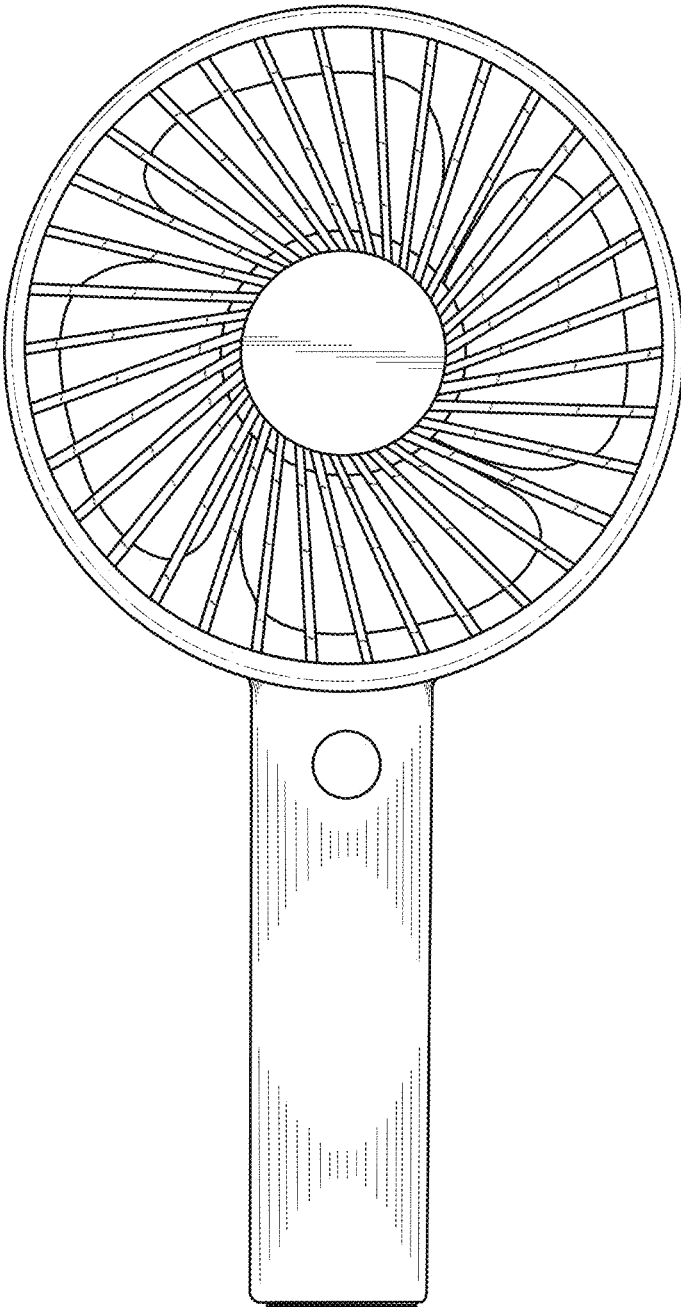


FIG. 1

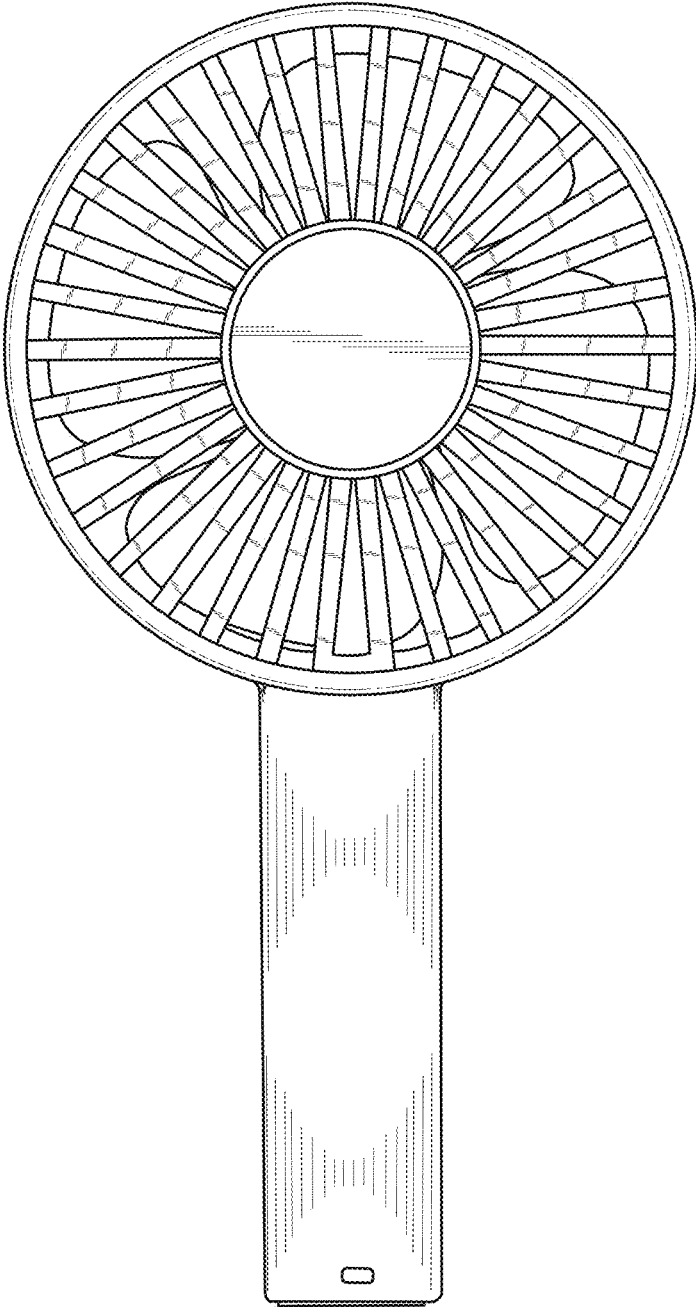


FIG. 2

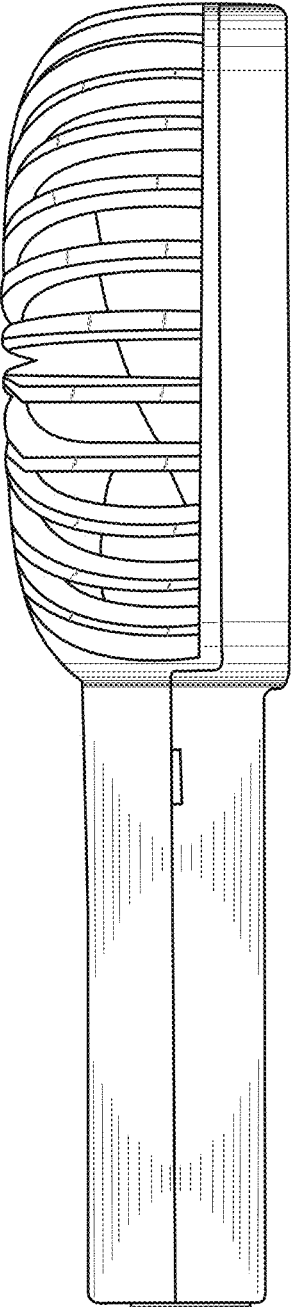


FIG. 3

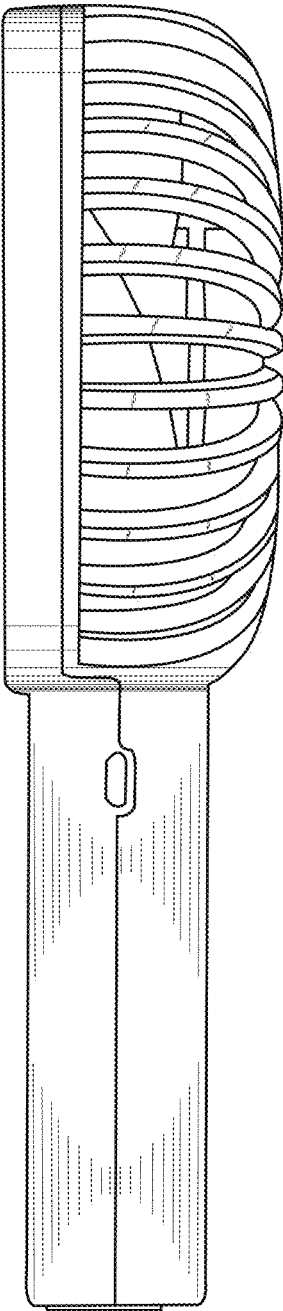


FIG. 4

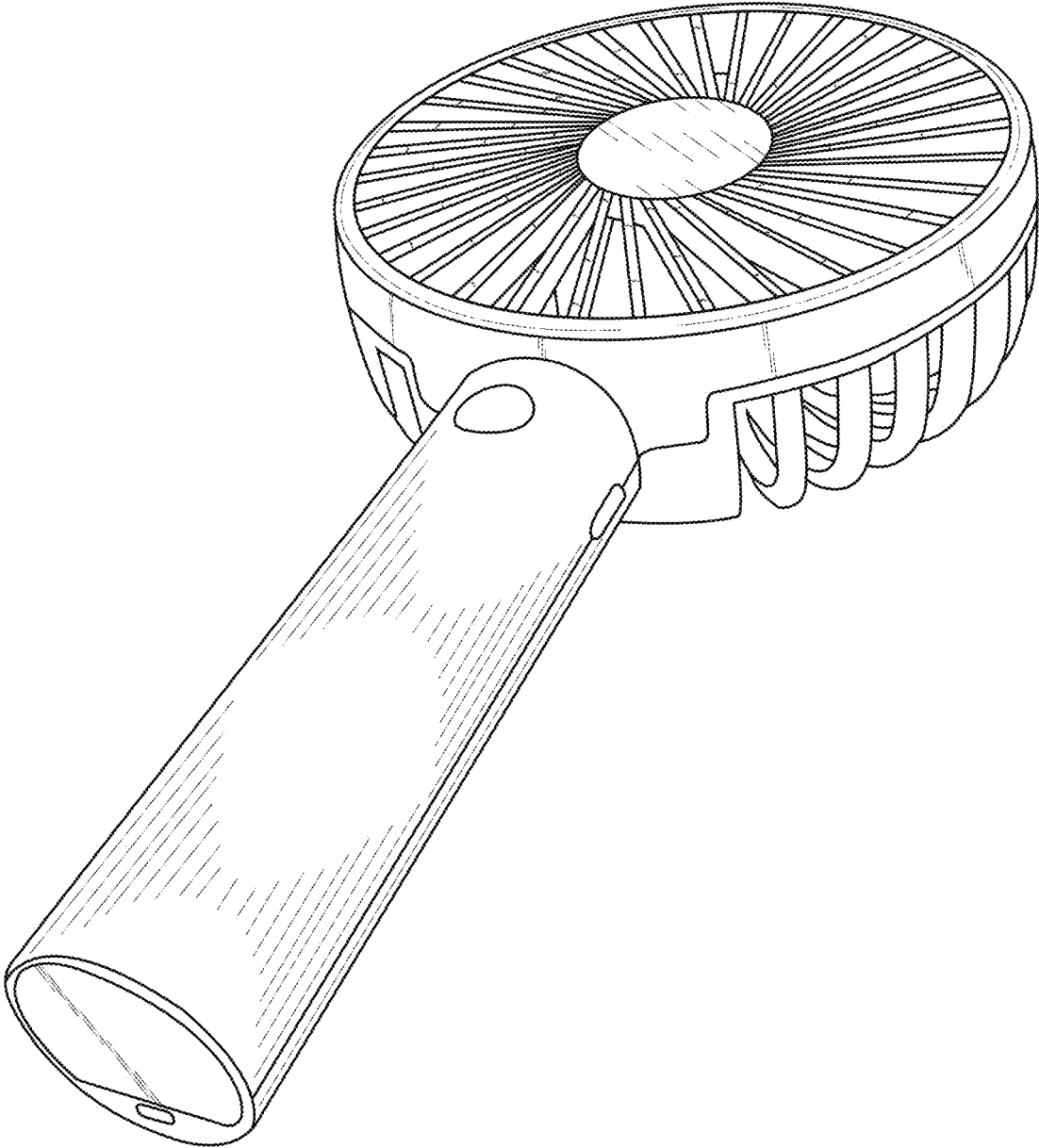


FIG. 5

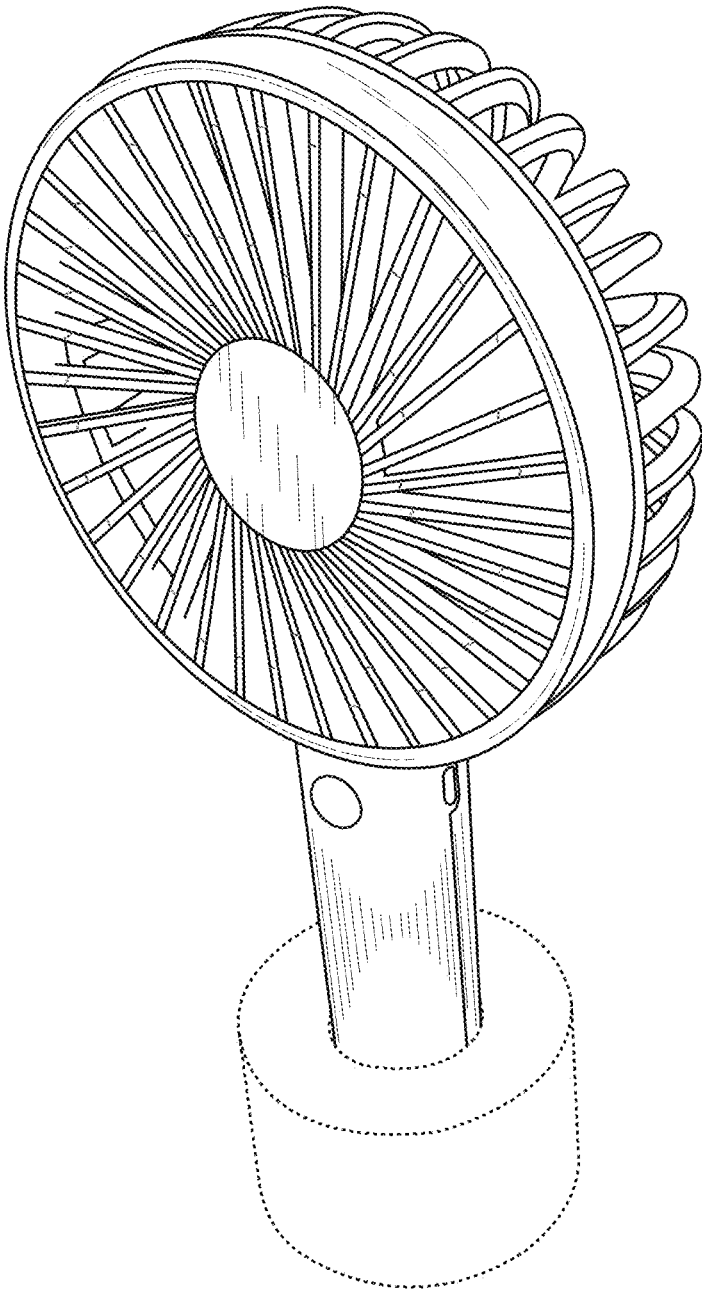


FIG. 6