



US00D382765S

United States Patent [19]

[11] Patent Number: **Des. 382,765**

Kellermann

[45] Date of Patent: ****Aug. 26, 1997**

[54] **BARBECUE GRILL**

[75] Inventor: **Robert F. Kellermann**, South Pittsburg, Tenn.

[73] Assignee: **Lodge Manufacturing Company**, South Pittsburg, Tenn.

[**] Term: **14 Years**

[21] Appl. No.: **55,962**

[22] Filed: **Jun. 17, 1996**

[51] **LOC (6) Cl.** **07-02**

[52] **U.S. Cl.** **D7/332**

[58] **Field of Search** D7/332-337; 126/25 R, 126/25 A, 25 AA, 29, 30, 9 R, 9 B

[56] **References Cited**

U.S. PATENT DOCUMENTS

- D. 204,348 4/1966 Shilling D7/336
- D. 271,935 12/1983 Conner D7/332
- D. 321,108 10/1991 Lutter et al. D7/332

- 943,569 12/1909 Scamardi D7/337
- 3,323,508 6/1967 Holman D7/337
- 3,526,217 9/1970 Garske D7/335
- 3,800,777 4/1974 Gebien 126/25 R
- 4,762,114 8/1988 Blankemeyer 126/373

Primary Examiner—Ruth McInroy
Attorney, Agent, or Firm—Robert V. Hines

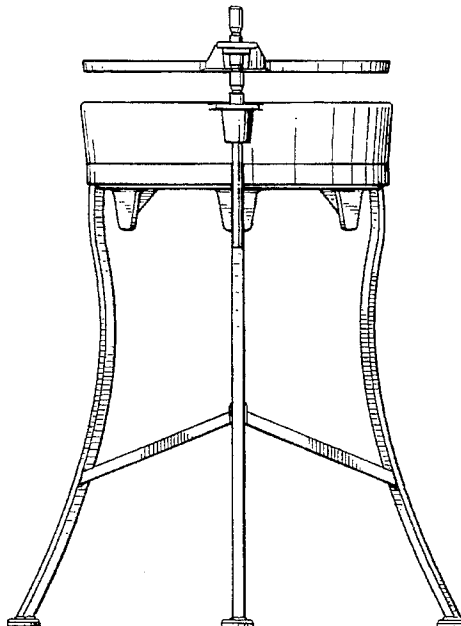
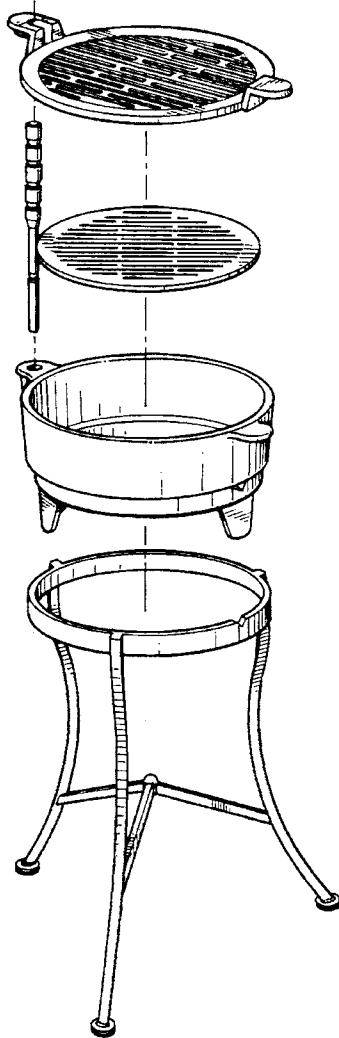
[57] **CLAIM**

The ornamental design for a barbecue grill, as shown and described.

DESCRIPTION

FIG. 1 is a front perspective view of a barbecue grill showing my new design;
 FIG. 2 is a rear elevation view thereof;
 FIG. 3 is a left side elevation view thereof, the right side being a mirror image;
 FIG. 4 is the top elevation view thereof;
 FIG. 5 is the bottom elevation view thereof; and,
 FIG. 6 is the front view.

1 Claim, 5 Drawing Sheets



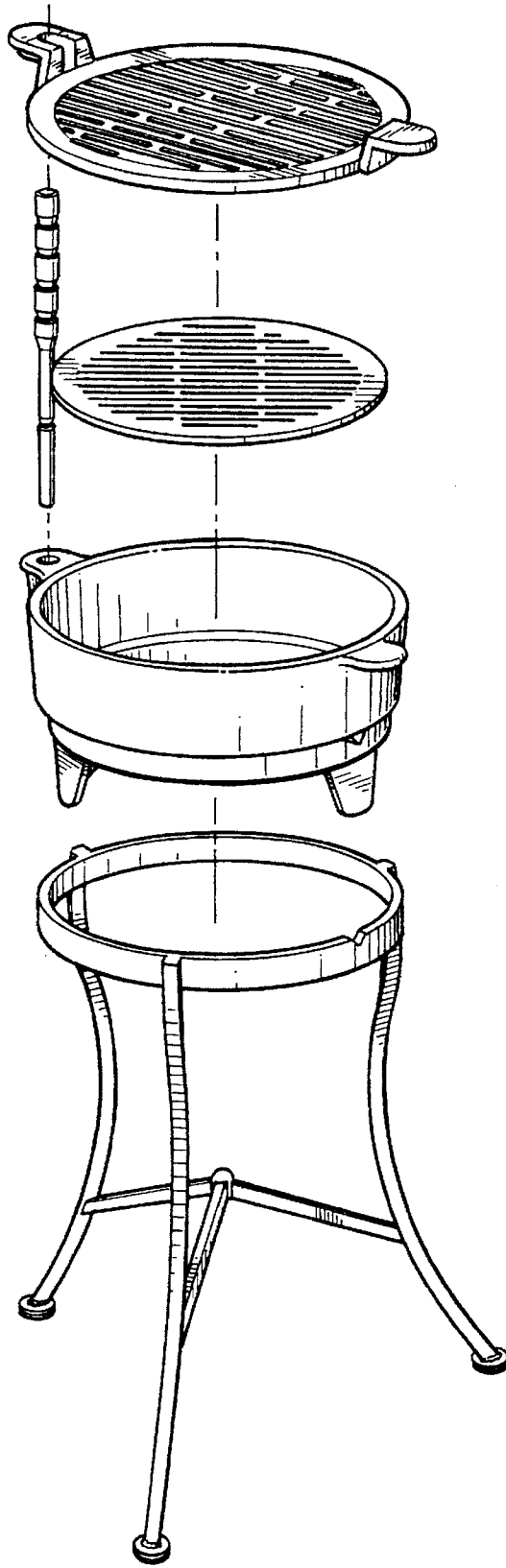


FIG. 1

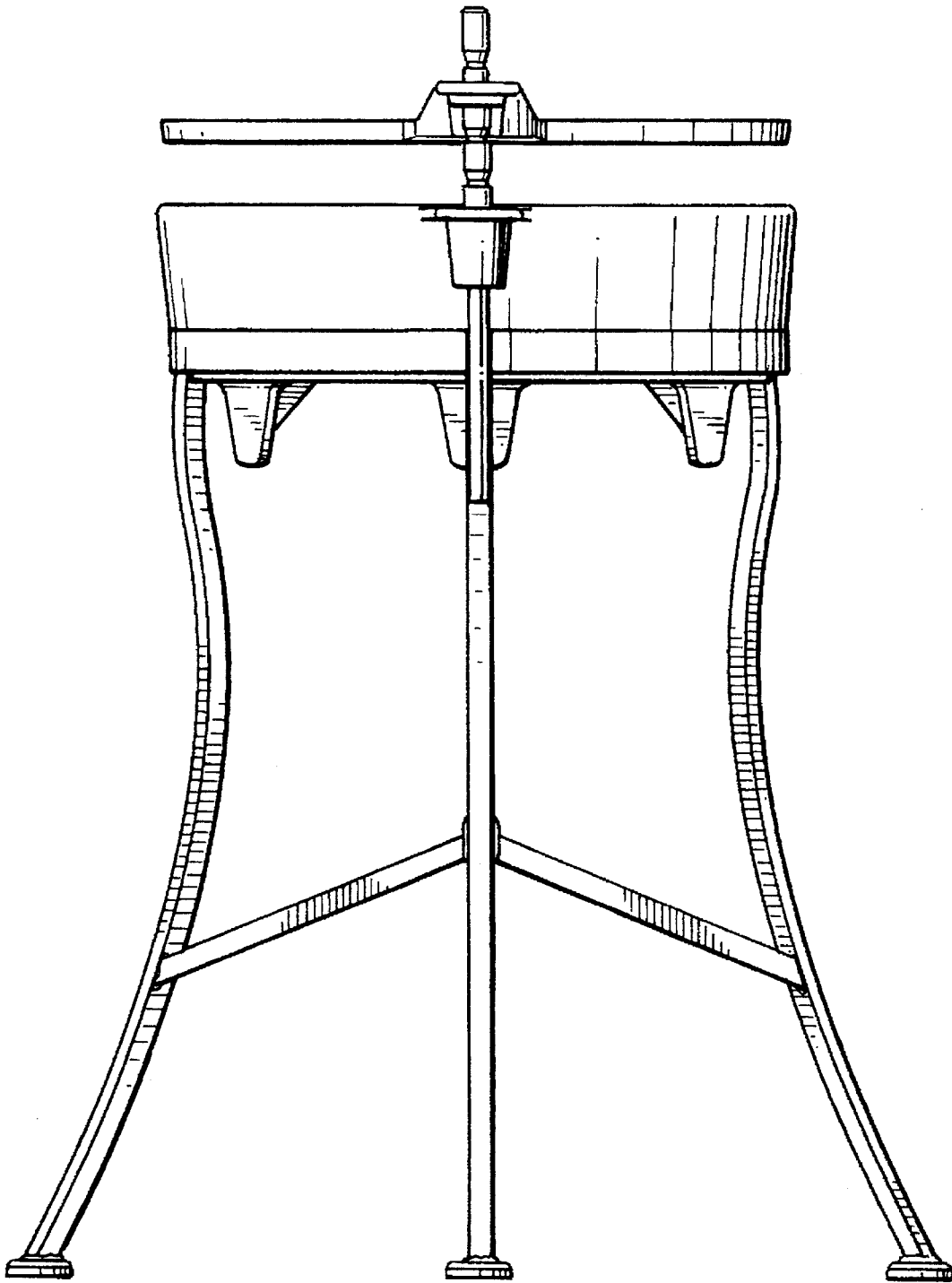


FIG. 2

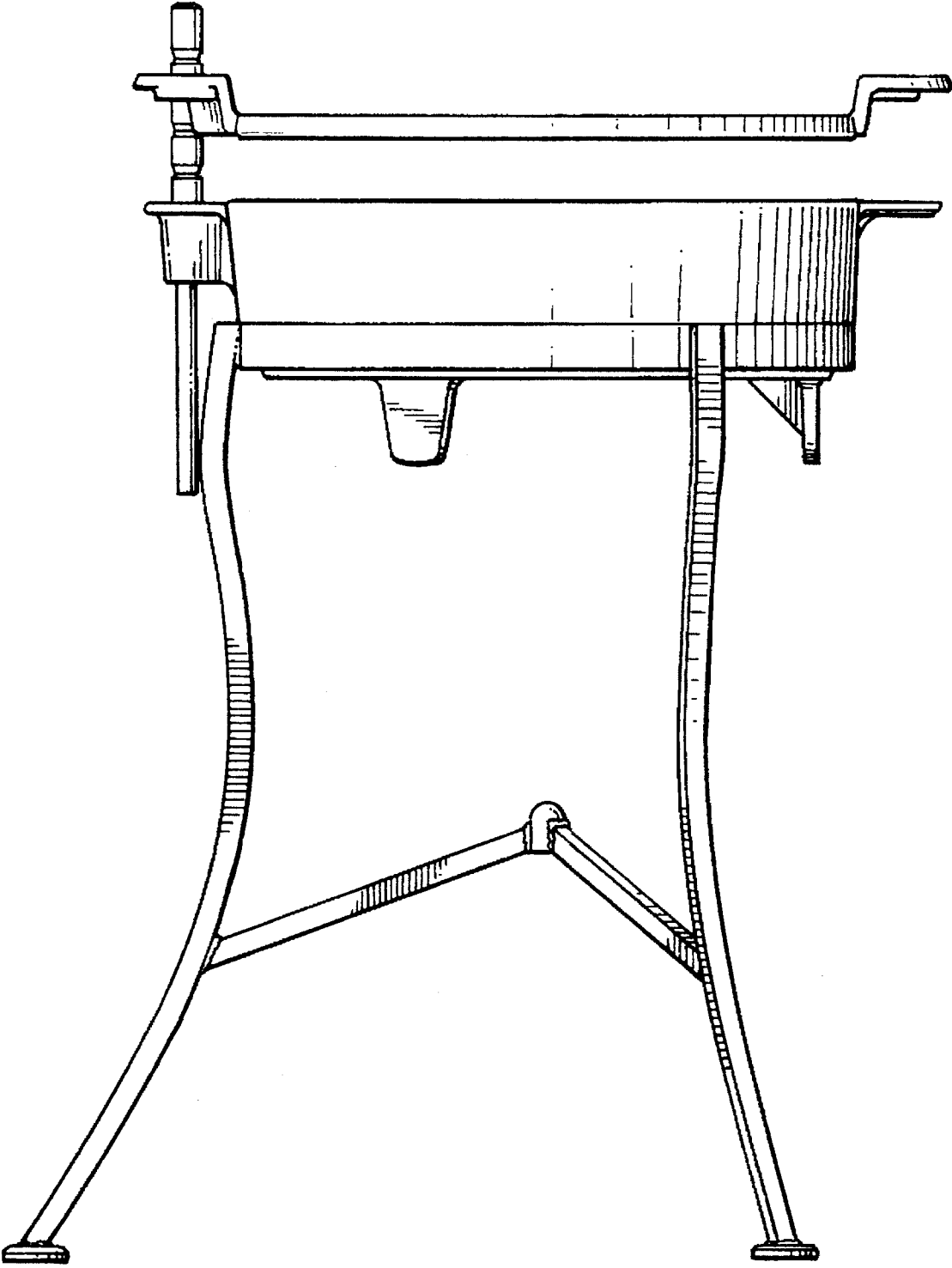


FIG. 3

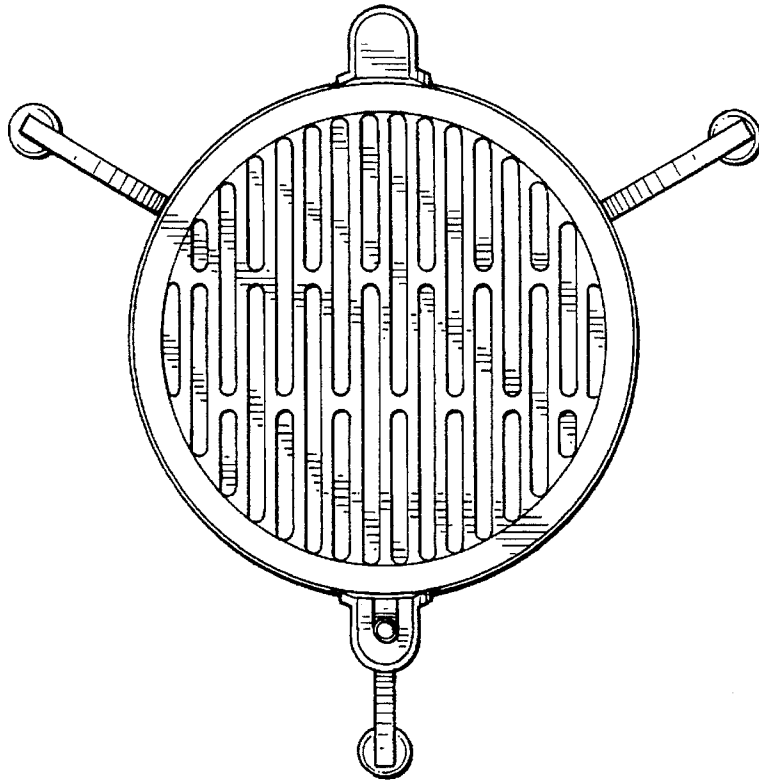


FIG. 4

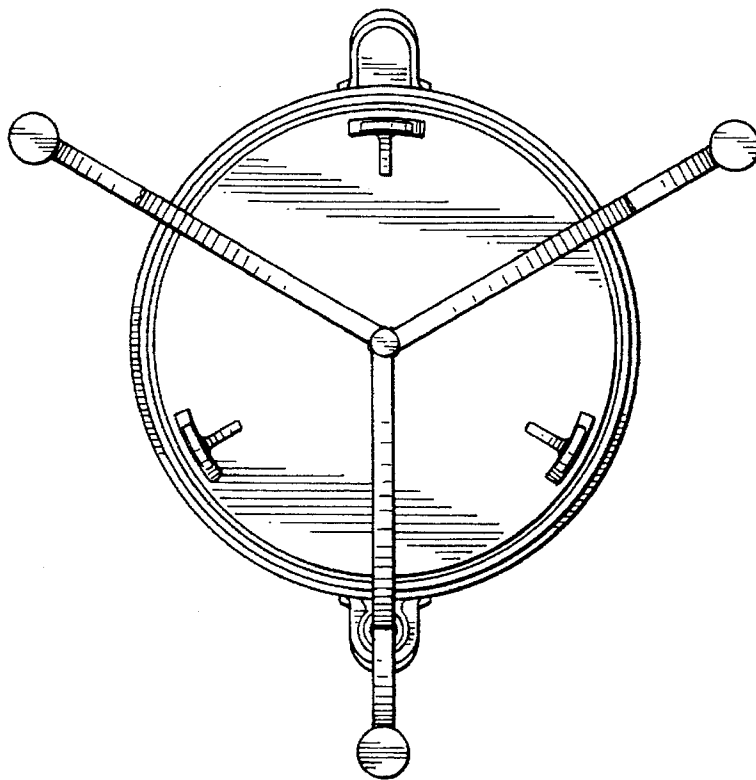


FIG. 5

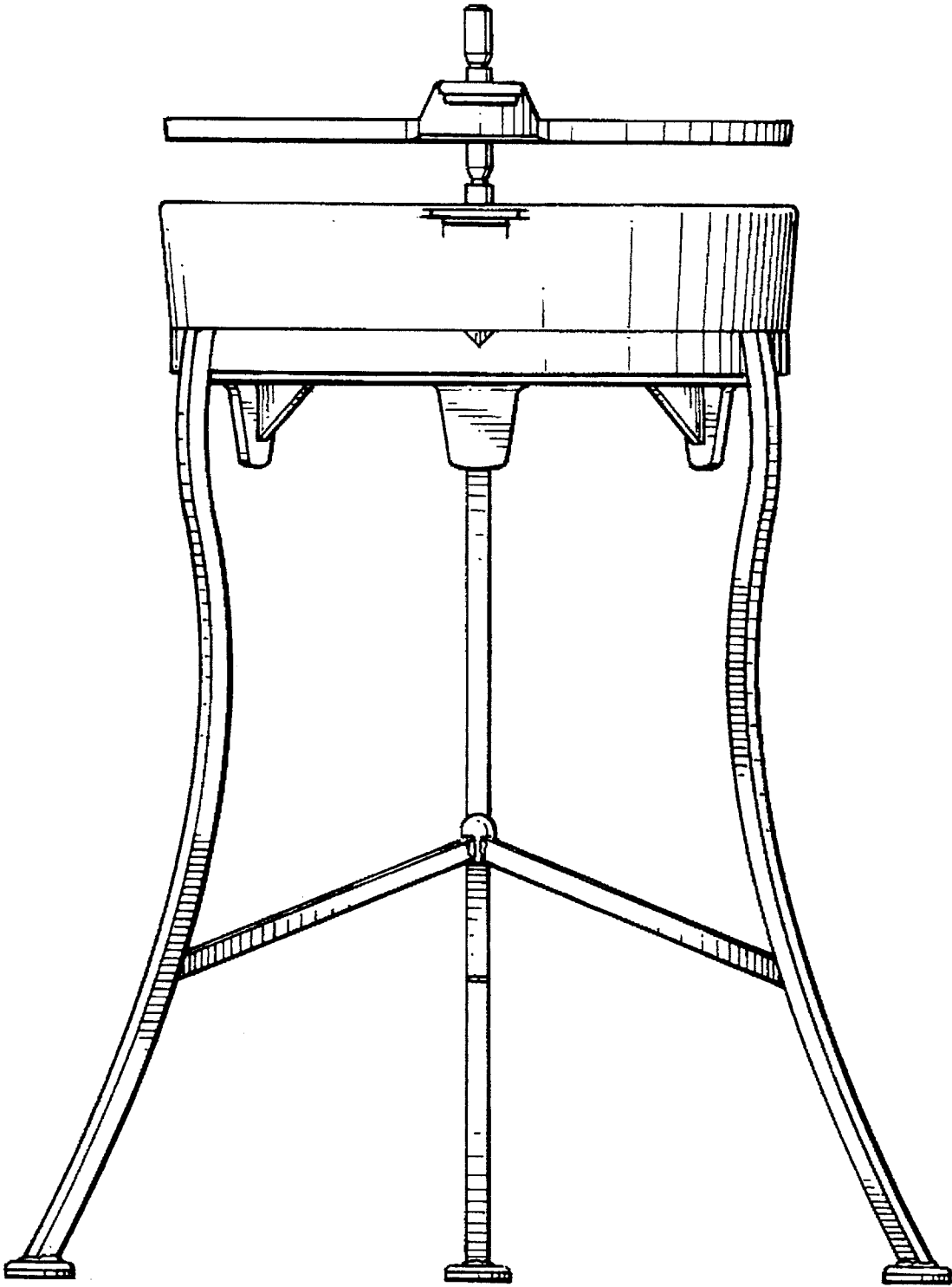


FIG. 6