



US00D596728S

(12) **United States Design Patent**
Campbell et al.

(10) **Patent No.:** **US D596,728 S**

(45) **Date of Patent:** **** Jul. 21, 2009**

(54) **AIR PURIFIER HOUSING**

(75) Inventors: **Glennbruce S. Campbell**, Memphis, TN (US); **Robert Schultz**, Memphis, TN (US); **Nicole A. Moody**, Memphis, TN (US)

(73) Assignee: **Hunter Fan Company**, Memphis, TN (US)

(**) Term: **14 Years**

(21) Appl. No.: **29/297,531**

(22) Filed: **Nov. 13, 2007**

(51) **LOC (9) Cl.** **23-04**

(52) **U.S. Cl.** **D23/364**

(58) **Field of Classification Search** D23/364, D23/355, 356, 359, 360, 362, 352, 366, 369, D23/332, 333, 335, 336, 342, 351; 422/120, 422/122; 55/356, 473, 504; 96/63; D14/188, D14/170, 172; 261/DIG. 17, DIG. 65, DIG. 88, 261/DIG. 31; D7/330

See application file for complete search history.

(56) **References Cited**

U.S. PATENT DOCUMENTS

D374,070 S *	9/1996	Tomasiak et al.	D23/356
D395,309 S *	6/1998	Hisatsune	D14/188
D395,704 S	6/1998	Thomas et al.	
D396,097 S	7/1998	Thomas et al.	
D400,659 S *	11/1998	Boyle et al.	D23/332
D402,022 S	12/1998	Termeer et al.	
D402,745 S	12/1998	Termeer et al.	

D439,320 S *	3/2001	Lee	D23/366
D451,182 S	11/2001	Tsuji	
D462,754 S *	9/2002	Briggs et al.	D23/364
D488,664 S *	4/2004	Seum et al.	D7/330
D488,854 S	4/2004	Stauffer	
D489,564 S *	5/2004	Enriquez et al.	D7/330
D489,801 S *	5/2004	Shimizu	D23/364
D523,841 S *	6/2006	Van Kastel	D14/188
D534,999 S *	1/2007	Hussaini et al.	D23/335
D537,512 S *	2/2007	Nakajima	D23/359
D550,342 S	9/2007	Campbell	
D557,783 S *	12/2007	Yoo et al.	D23/359
D565,159 S *	3/2008	Shin et al.	D23/356

* cited by examiner

Primary Examiner—T. Chase Nelson

Assistant Examiner—David G Muller

(74) *Attorney, Agent, or Firm*—Baker Donelson et al.

(57) **CLAIM**

The ornamental design for an air purifier housing, as shown and described.

DESCRIPTION

FIG. 1 is a perspective view of a air purifier housing showing our new design.

FIG. 2 is a rear view thereof.

FIG. 3 is a front view thereof.

FIG. 4 is a left side view thereof, the right side view being a mirror image thereof.

FIG. 5 is a top view thereof; and,

FIG. 6 is a bottom view thereof.

1 Claim, 3 Drawing Sheets

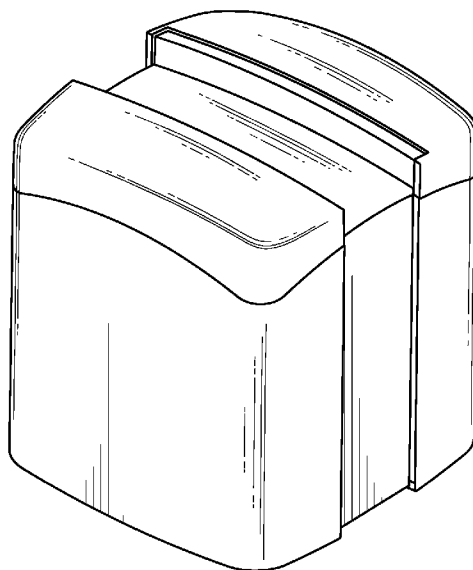


Fig. 1

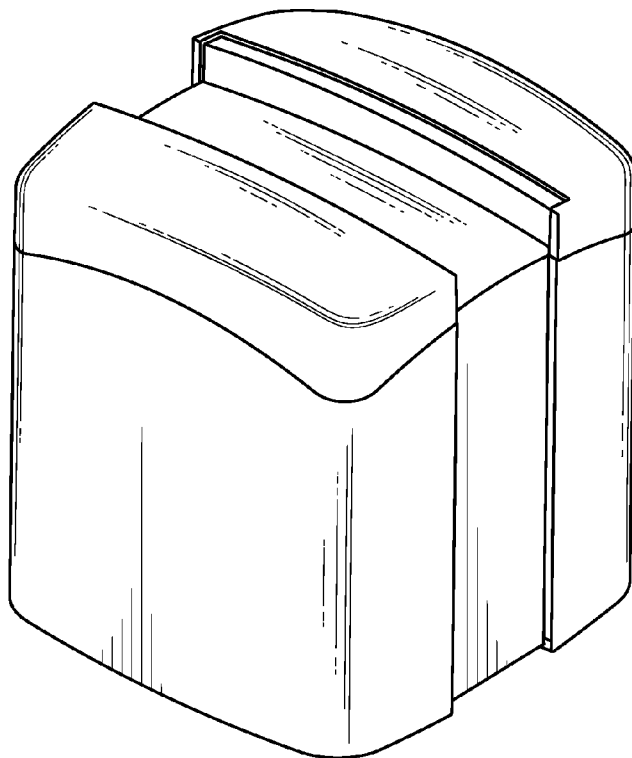


Fig. 2

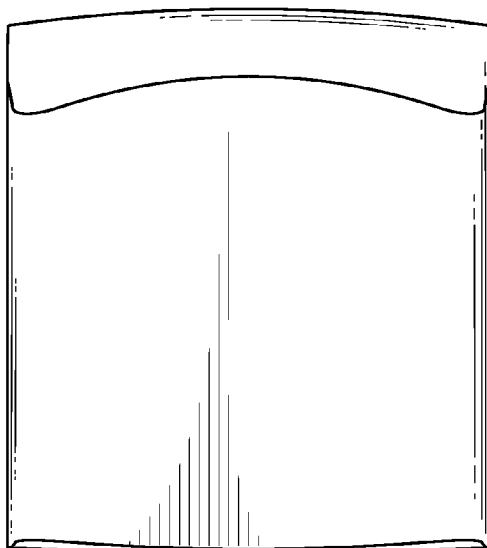


Fig. 3

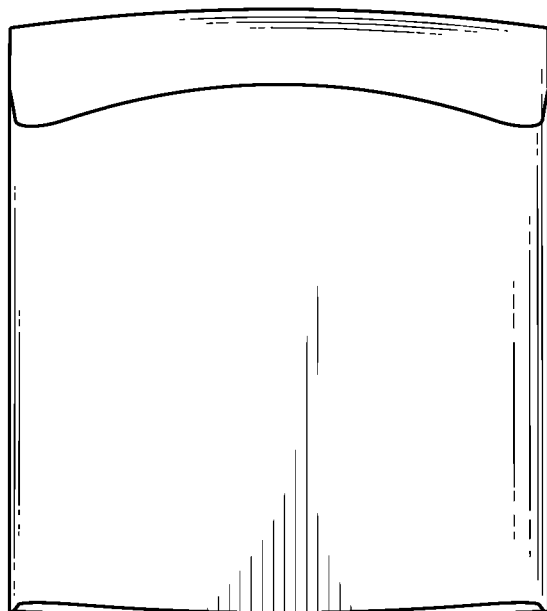


Fig. 4

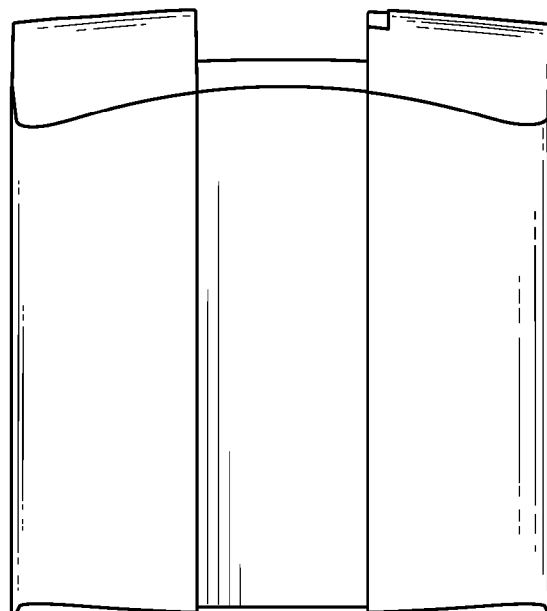


Fig. 5

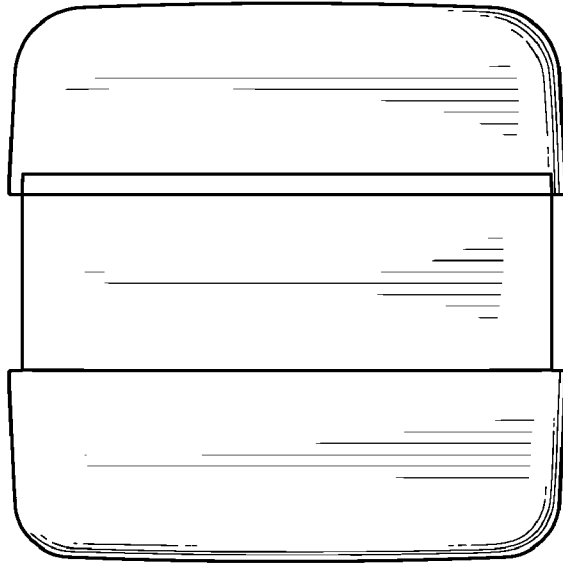


Fig. 6

