



US00D637153S

(12) **United States Design Patent**
Ikeda et al.

(10) **Patent No.:** **US D637,153 S**

(45) **Date of Patent:** **** May 3, 2011**

(54) **BATTERY COVER COMPARTMENT FOR A GAME CONTROLLER**

(75) Inventors: **John Ikeda**, Seattle, WA (US); **Carl L. Ledbetter**, Mercer Island, WA (US); **Peter Bristol**, Redmond, WA (US)

(73) Assignee: **Microsoft Corporation**, Redmond, WA (US)

(**) Term: **14 Years**

(21) Appl. No.: **29/368,841**

(22) Filed: **Aug. 30, 2010**

(51) **LOC (9) Cl.** **13-02**

(52) **U.S. Cl.** **D13/103**

(58) **Field of Classification Search** D13/102-106,
D13/110, 118-121, 184, 199; 429/96-100,
429/163, 176, 187

See application file for complete search history.

(56) **References Cited**

U.S. PATENT DOCUMENTS

D299,465 S *	1/1989	Helstab	D14/355
D335,647 S *	5/1993	Hood	D13/119
D348,083 S	6/1994	Smith, III et al.		
D352,269 S *	11/1994	Alexandres et al.	D13/103
D374,860 S *	10/1996	Amero et al.	D13/103
D417,211 S	11/1999	Kaneko et al.		
D421,433 S	3/2000	Alviar et al.		
D424,047 S	5/2000	Chan		
D432,180 S	10/2000	Hayes		
D433,076 S	10/2000	Hayes		
D435,551 S	12/2000	Hayes		
D451,513 S	12/2001	Stewart et al.		
D452,505 S	12/2001	Stewart et al.		
D453,758 S	2/2002	Han et al.		

D453,932 S	2/2002	Han et al.		
D506,065 S *	6/2005	Sugino et al.	D3/294
D521,015 S	5/2006	Hayes et al.		
D522,011 S	5/2006	Hayes et al.		
D522,012 S	5/2006	Hayes et al.		
D547,763 S	7/2007	Hayes et al.		
D551,615 S *	9/2007	Wahl et al.	D13/103
D557,203 S *	12/2007	Grunow et al.	D13/103
D581,422 S	11/2008	Hayes et al.		
D603,790 S *	11/2009	Andren et al.	D13/103
D615,595 S	5/2010	Williamson et al.		

OTHER PUBLICATIONS

Xbox 360 Wireless Controller, 1 color sheet, Microsoft, 2005.

* cited by examiner

Primary Examiner — Rosemary K Tarcza

(74) *Attorney, Agent, or Firm* — Banner & Witcoff, Ltd.

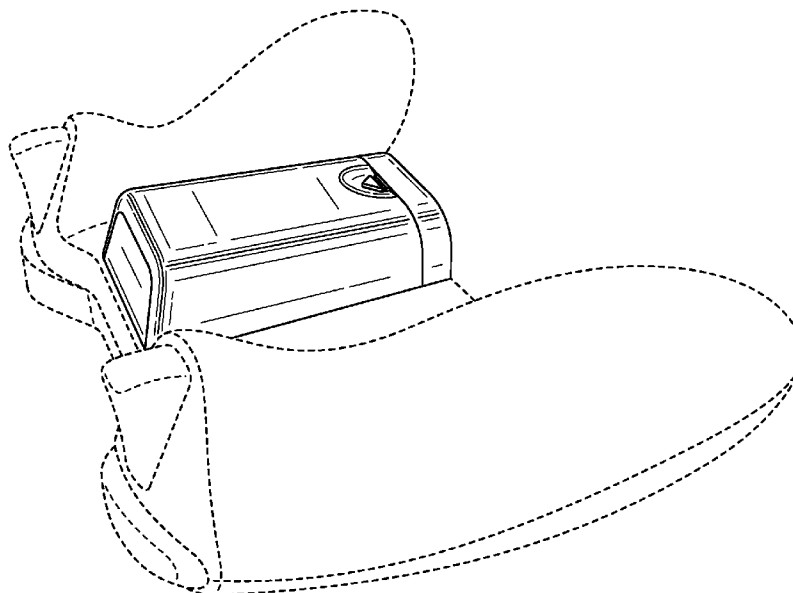
(57) **CLAIM**

The ornamental design for a battery cover compartment for a game controller, as shown and described.

DESCRIPTION

FIG. 1 is a bottom perspective view of a battery cover compartment for a game controller showing our new design; FIG. 2 is a bottom view thereof; FIG. 3 is a front view thereof; FIG. 4 is a rear view thereof; FIG. 5 is a left side view thereof; FIG. 6 is a right side view thereof; and, FIG. 7 is a top view thereof. The broken line showing of the remainder of the controller in FIGS. 1-7 is for environmental purposes only and forms no part of the claimed design.

1 Claim, 5 Drawing Sheets



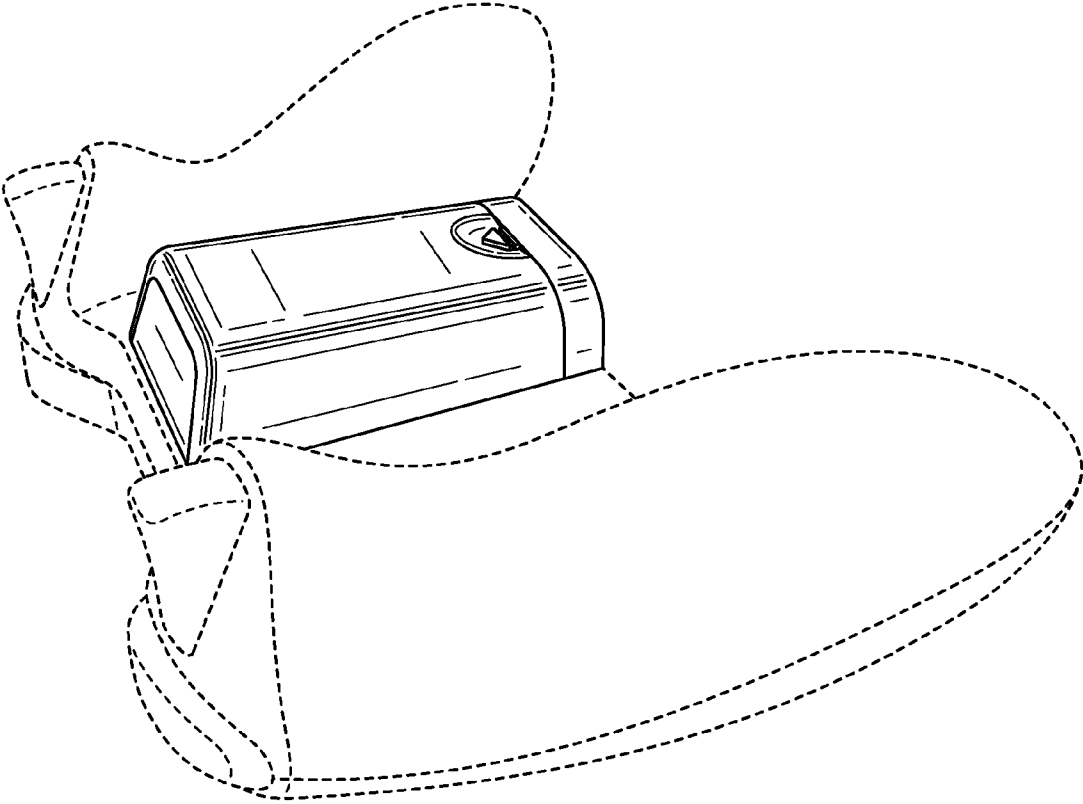


FIG. 1

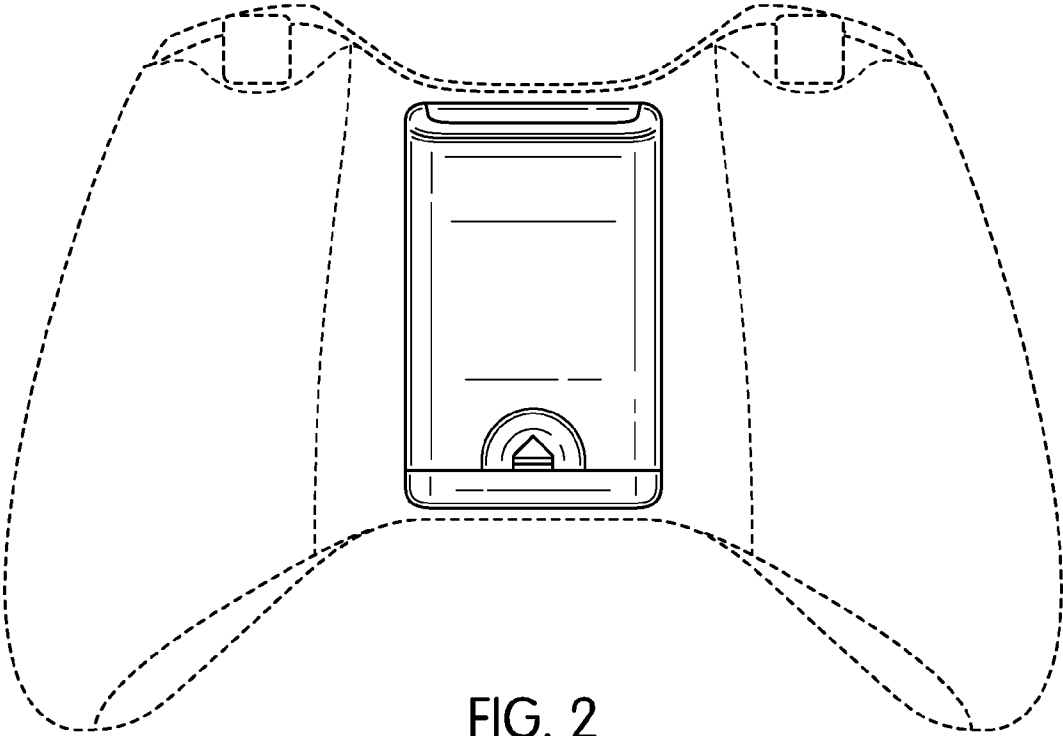


FIG. 2

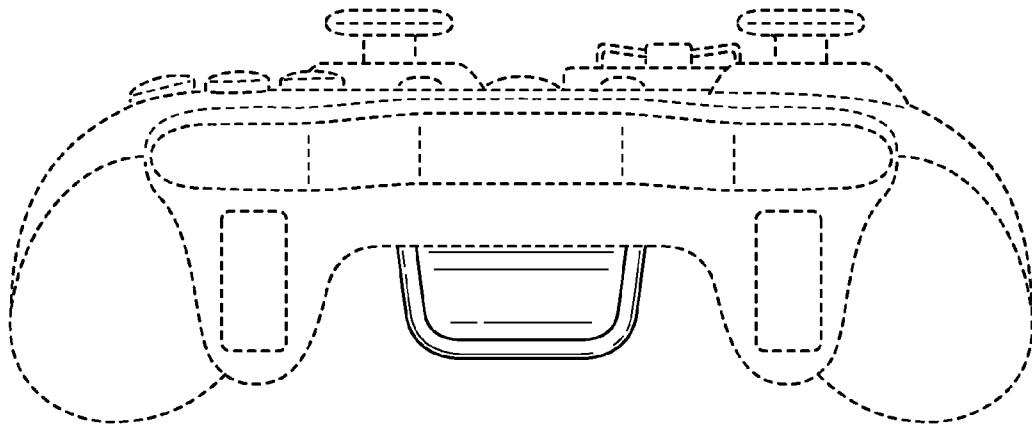


FIG. 3

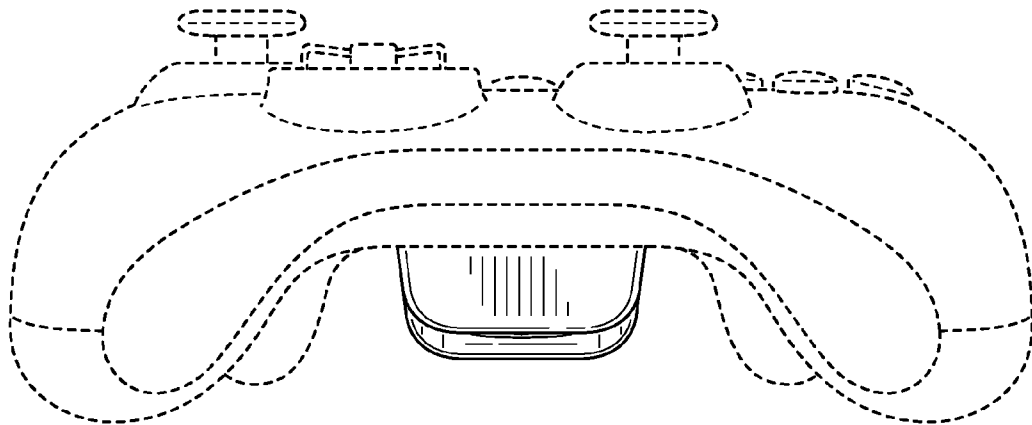


FIG. 4

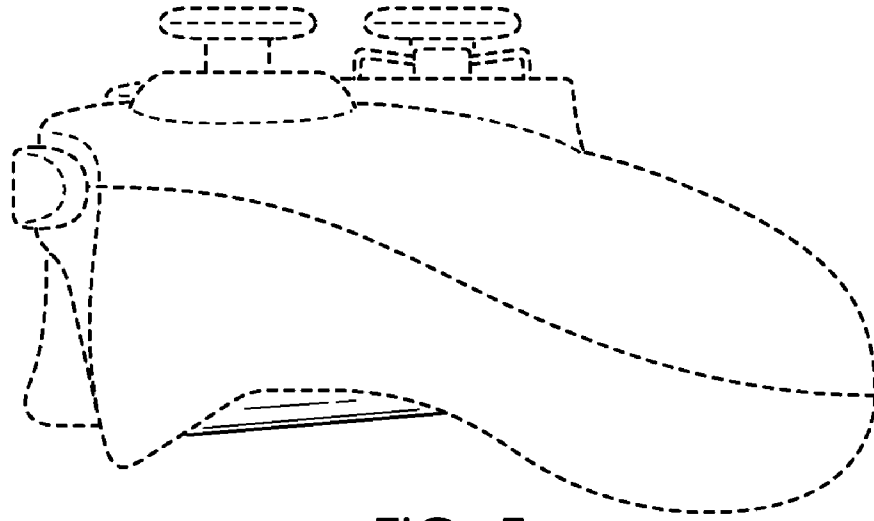


FIG. 5

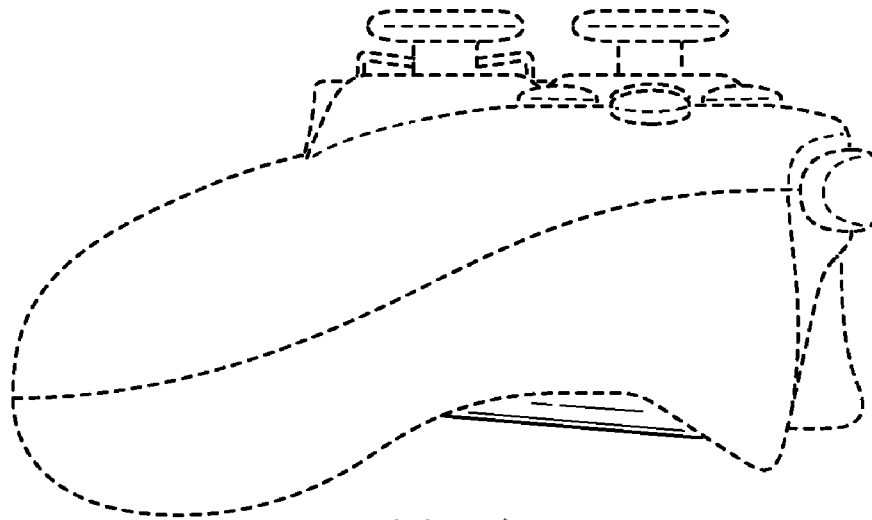


FIG. 6

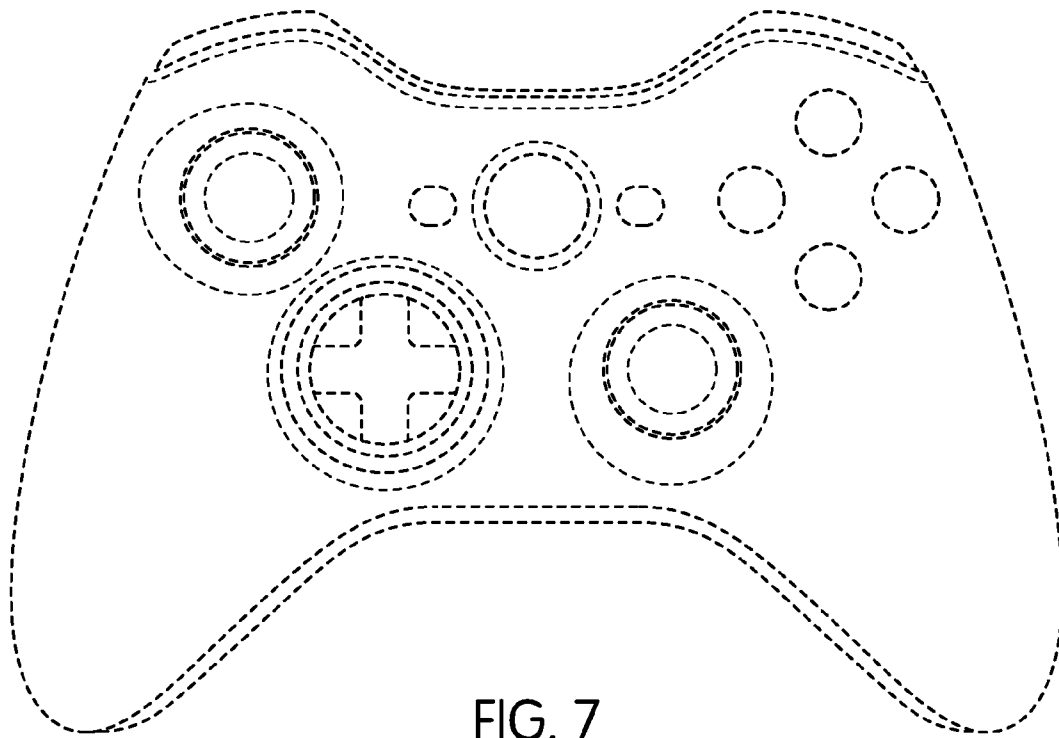


FIG. 7