



US00D853234S

(12) **United States Design Patent**
Aziz

(10) **Patent No.:** **US D853,234 S**

(45) **Date of Patent:** **** Jul. 9, 2019**

(54) **INTERLOCKING CONTAINER**

(71) Applicant: **Jan Aziz**, Fort Worth, TX (US)

(72) Inventor: **Jan Aziz**, Fort Worth, TX (US)

(**) Term: **15 Years**

(21) Appl. No.: **29/639,085**

(22) Filed: **Mar. 3, 2018**

(51) **LOC (11) Cl.** **09-03**

(52) **U.S. Cl.**

USPC **D9/432**

(58) **Field of Classification Search**

USPC D9/414-423, 424-429, 430-432, 433,
D9/434, 456, 457, 711, 713, 721-722

CPC ... B65D 5/00; B65D 5/02; B65D 5/18; B65D
5/20

See application file for complete search history.

(56) **References Cited**

U.S. PATENT DOCUMENTS

3,940,053	A *	2/1976	Putman	B65D 5/003 206/509
5,568,877	A *	10/1996	Rench	B32B 3/16 229/164.2
D379,716	S *	6/1997	Zipperle	D3/304
6,296,178	B1 *	10/2001	McKenna, Sr.	B65D 5/0025 229/165
6,641,032	B1 *	11/2003	Schilling	B65D 5/0025 206/509
D494,759	S *	8/2004	Louie	D3/304
D505,788	S *	6/2005	Sorrenti	D3/304
D519,838	S *	5/2006	Brooks	D9/456
7,413,111	B2 *	8/2008	Quaintance	B65D 5/0015 220/651
D592,075	S *	5/2009	Holcomb	D9/721
7,681,785	B2 *	3/2010	Grigor	B65D 5/0015 229/174
D681,452	S *	5/2013	Dennen	D9/433

D682,119 S * 5/2013 Buford D9/721
D690,514 S * 10/2013 Shamp D3/304
9,156,578 B2 * 10/2015 Smith B65D 1/225

(Continued)

OTHER PUBLICATIONS

Smurfit Kappa's Sustainable Fruit Packaging on Show at Fruit Logistica.[online] Published on Jan. 30, 2018. Retrieved Dec. 17, 2018 from URL: <https://packagingeurope.com/smurfit-kappas-sustainable-fruit-packaging-fruit-logistica/>*

Primary Examiner — Vy N Koenig

(74) *Attorney, Agent, or Firm* — Andrew Morabito

(57) **CLAIM**

The ornamental design for an interlocking container, as shown and described.

DESCRIPTION

FIG. 1 is a front perspective view of an interlocking container showing my new design;

FIG. 2 is a top view of the container of FIG. 1 shown with an unclaimed divider; and

FIG. 3 is a bottom view thereof.

FIG. 4 is a front view thereof.

FIG. 5 is a side view thereof.

FIG. 6 is a front perspective view of two interlocking containers secured to one another thereof.

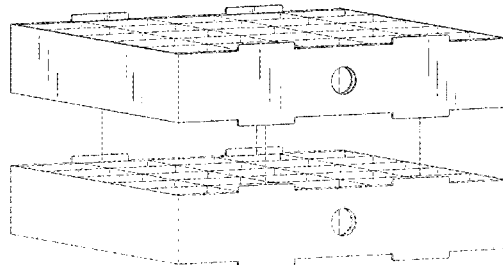
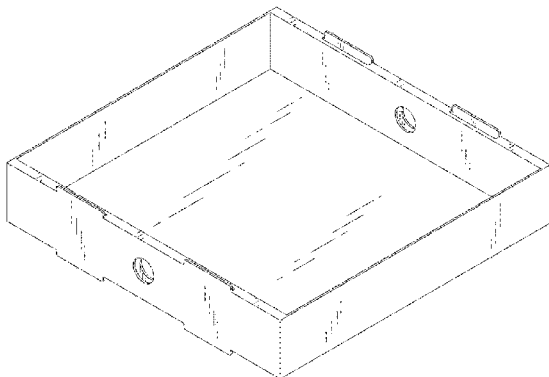
FIG. 7 is a front perspective view of two interlocking containers prior to being secured thereof; and,

FIG. 8 is a top view of the interlocking container unfolded thereof.

The dash-dash lines in the drawings depict environmental subject matter, specifically a divider within the interlocking containers and a second interlocking container, that form no part of the claimed design. The unshaded regions and regions demarcated by broken lines form no part of the claimed design.

The dash-dot-dot lines depict fold lines and form no part of the claimed design.

1 Claim, 6 Drawing Sheets



(56)

References Cited

U.S. PATENT DOCUMENTS

D825,329 S *	8/2018	Ross	D9/433
2005/0061863 A1 *	3/2005	Quaintance	B65D 5/0015 229/199

* cited by examiner

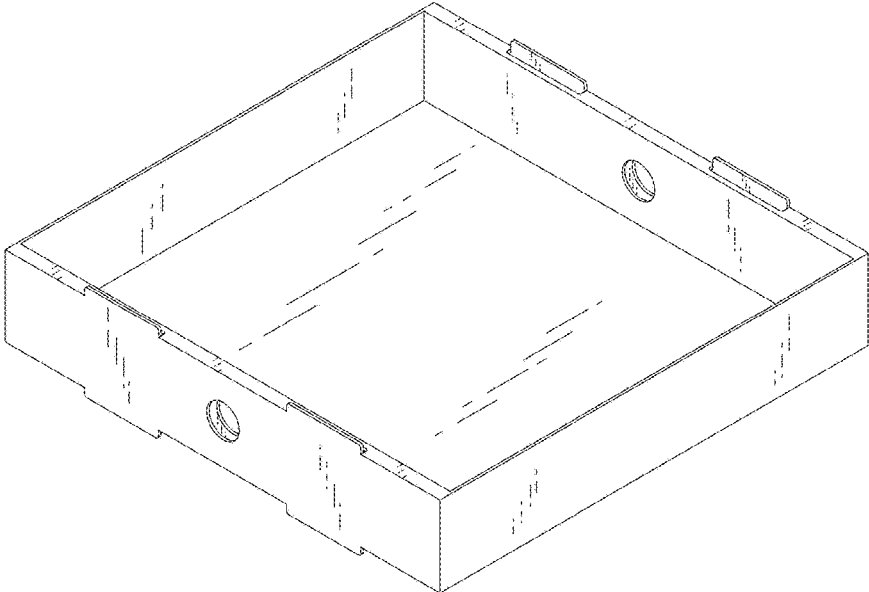


FIG. 1

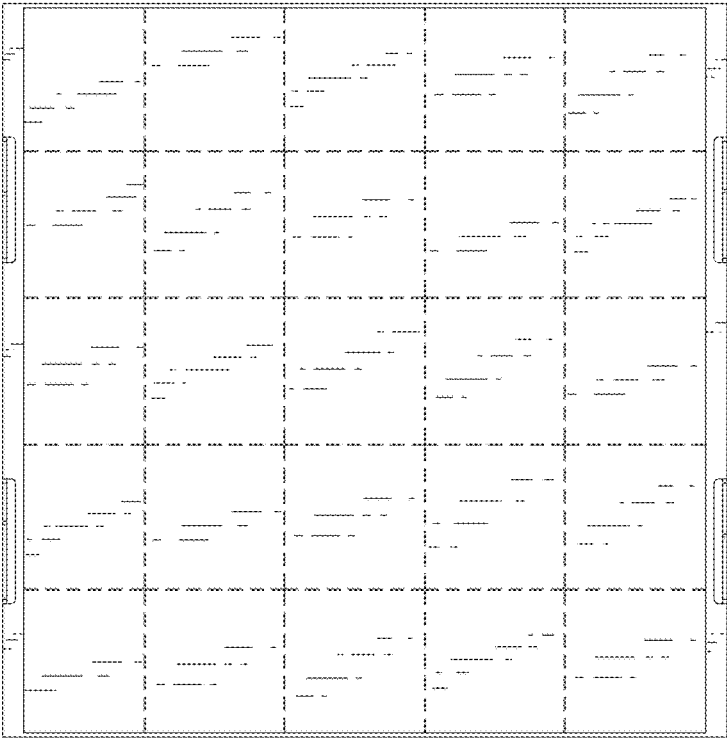


FIG. 2

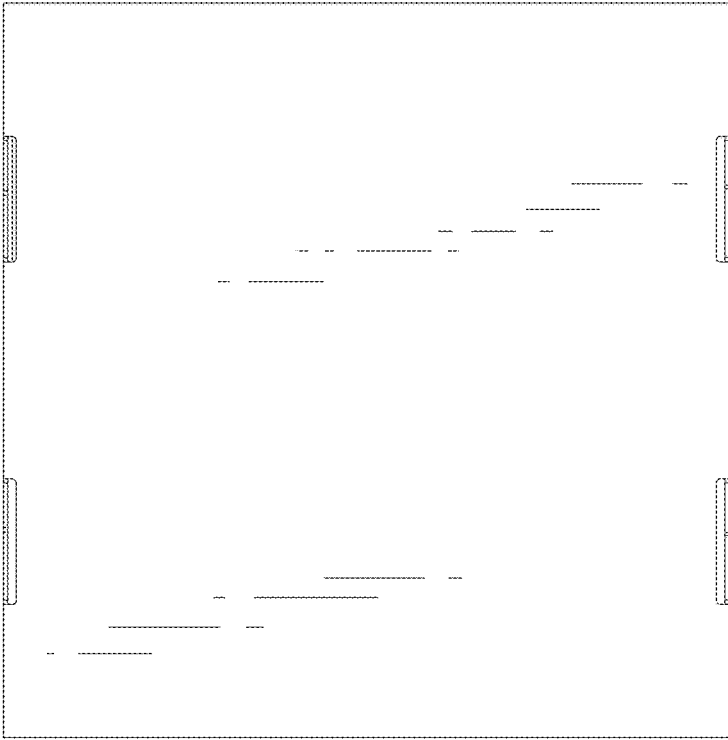


FIG. 3

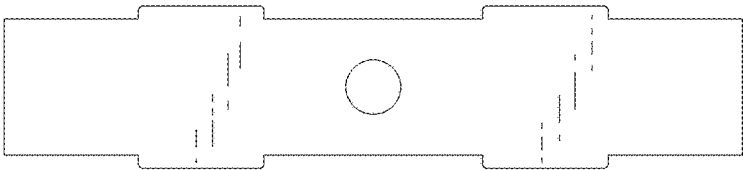


FIG. 4

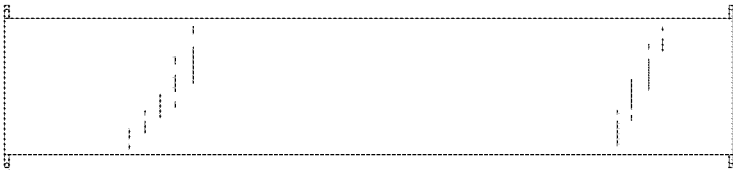


FIG. 5

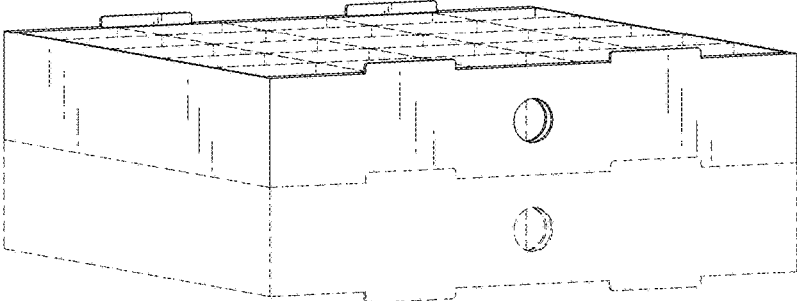


FIG. 6

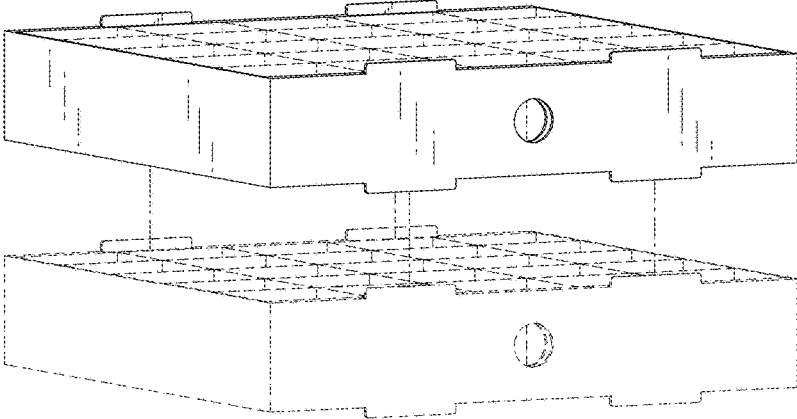


FIG. 7

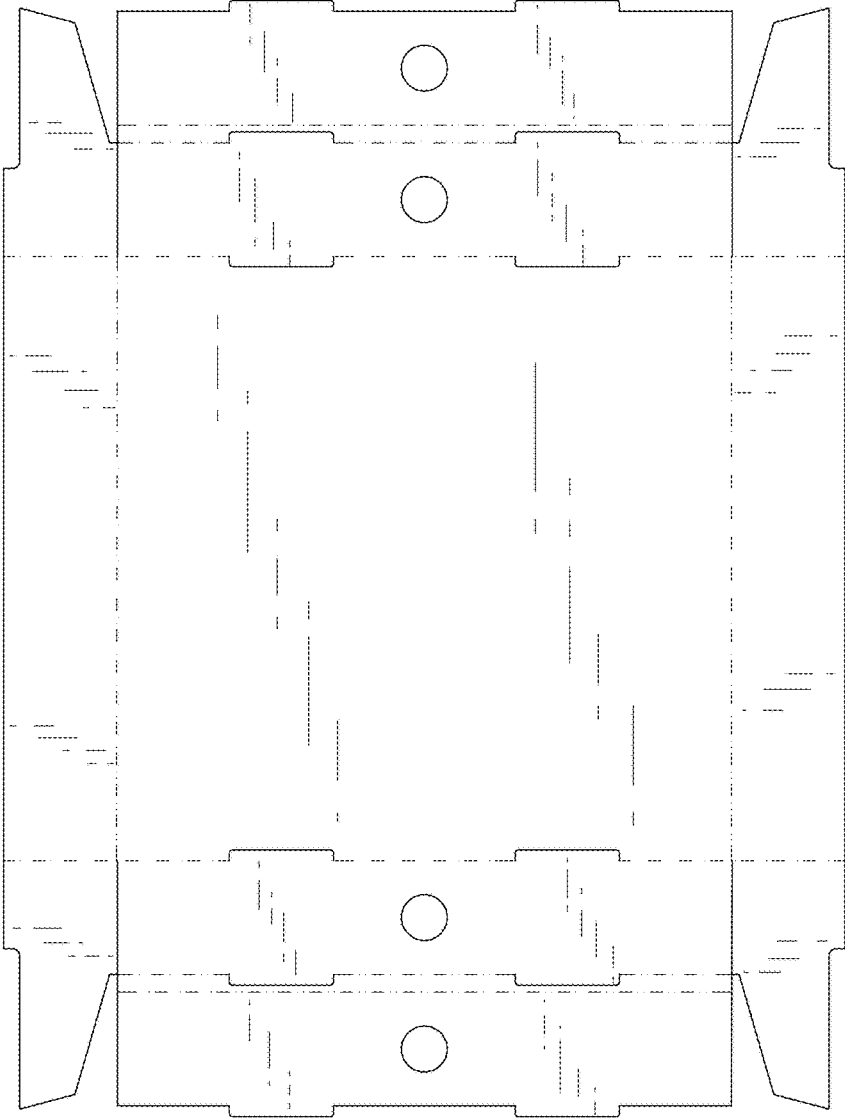


FIG. 8