



US00D571167S

(12) **United States Design Patent**  
**McCammon**

(10) **Patent No.:** **US D571,167 S**

(45) **Date of Patent:** **\*\* Jun. 17, 2008**

(54) **CUTTING BOARD**

(76) Inventor: **Donald L. McCammon**, 6658 Shadow Oak La., Orlando, FL (US) 32809

(\*\*) Term: **14 Years**

(21) Appl. No.: **29/294,950**

(22) Filed: **Feb. 5, 2008**

(51) **LOC (8) Cl.** ..... **07-04**

(52) **U.S. Cl.** ..... **D7/698**

(58) **Field of Classification Search** ..... **D7/360**,  
D7/388, 538, 554.2, 586, 637-638, 696, 698-699;  
D32/56-58; 99/446, 449; 269/13-15, 289 R,  
269/291, 297-298, 289 MR, 302.1, 315;  
294/172

See application file for complete search history.

(56) **References Cited**

**U.S. PATENT DOCUMENTS**

D225,764 S *	1/1973	Duecker	.....	D7/698
D412,815 S *	8/1999	Porter	.....	D7/698
D416,768 S *	11/1999	Lisser et al.	.....	D7/698
D467,733 S *	12/2002	DiMartino	.....	D3/304

6,702,273 B1 *	3/2004	Sellers	.....	269/289 R
D492,166 S *	6/2004	Kaposi	.....	D7/698
D498,122 S *	11/2004	Mayer	.....	D7/698
D543,423 S *	5/2007	Benson	.....	D7/698

\* cited by examiner

*Primary Examiner*—Caron D. Veynar

*Assistant Examiner*—Ricky Pham

(74) *Attorney, Agent, or Firm*—William M. Hobby, III

(57) **CLAIM**

The ornamental design for a cutting board, as shown.

**DESCRIPTION**

FIG. 1 is a top, left side perspective of my new cutting board;

FIG. 2 is a left side elevation;

FIG. 3 is a right side elevation;

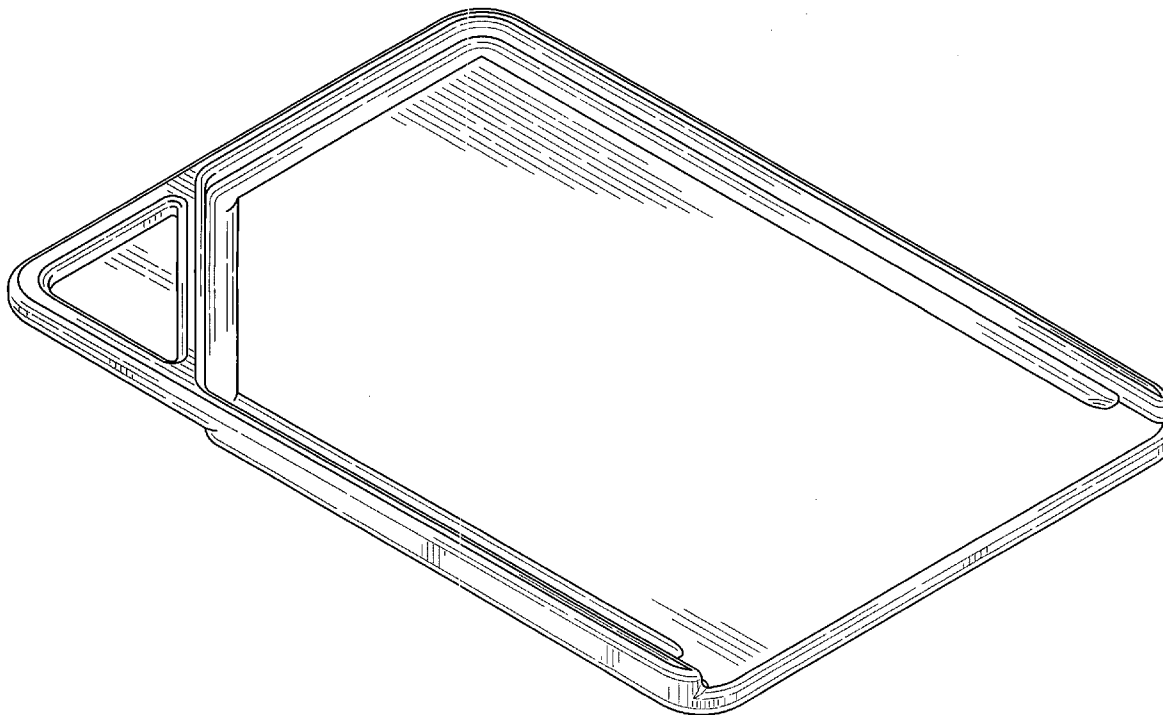
FIG. 4 is a front side elevation;

FIG. 5 is a rear side elevation;

FIG. 6 is a top plan view; and,

FIG. 7 is a bottom plan view.

**1 Claim, 4 Drawing Sheets**



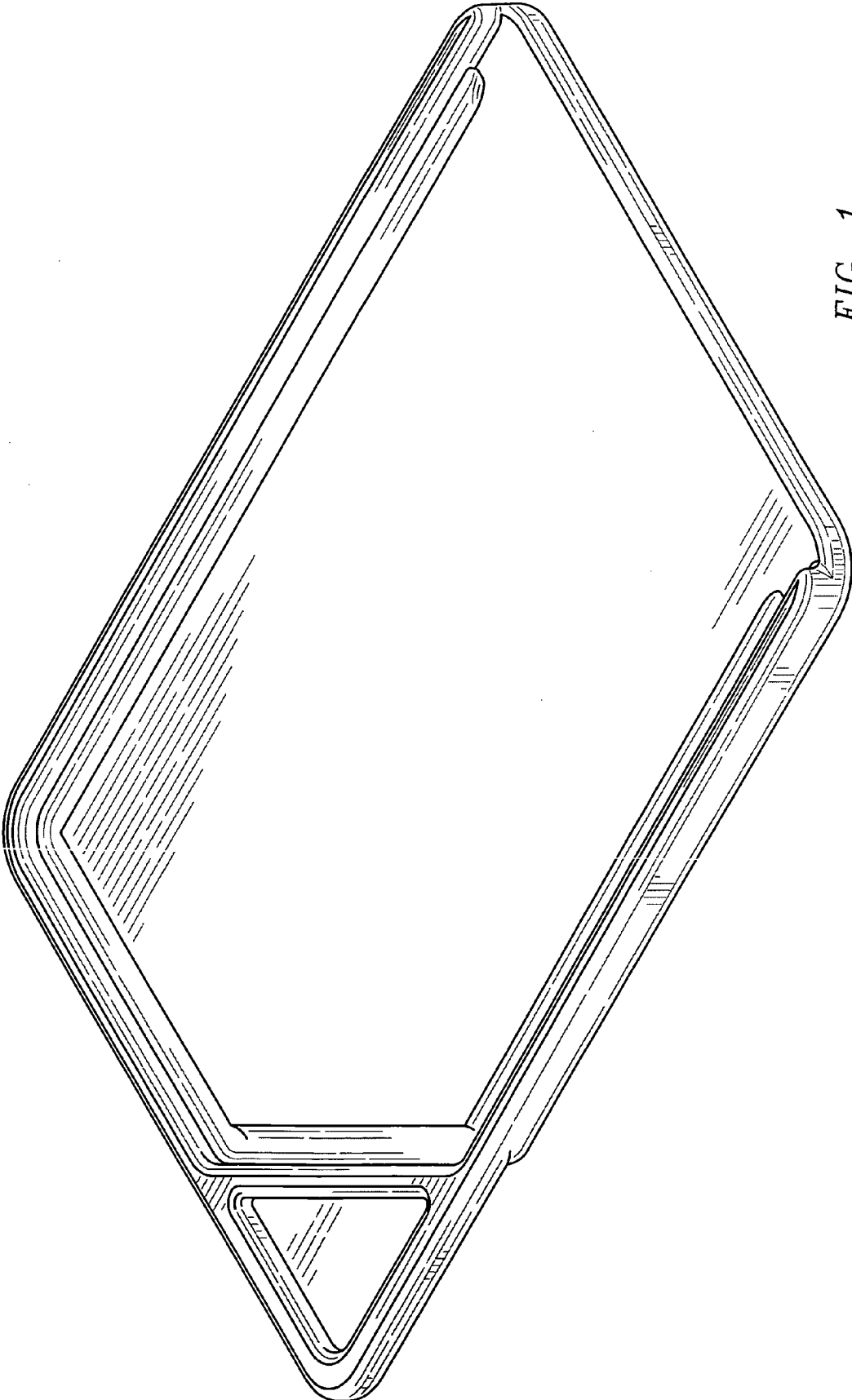


FIG. 1



FIG. 2

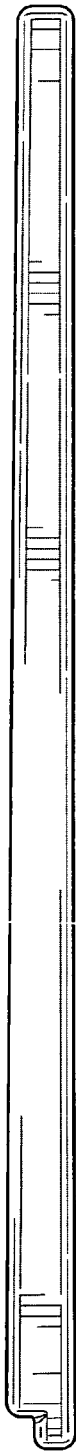


FIG. 3



FIG. 4



FIG. 5

FIG. 6

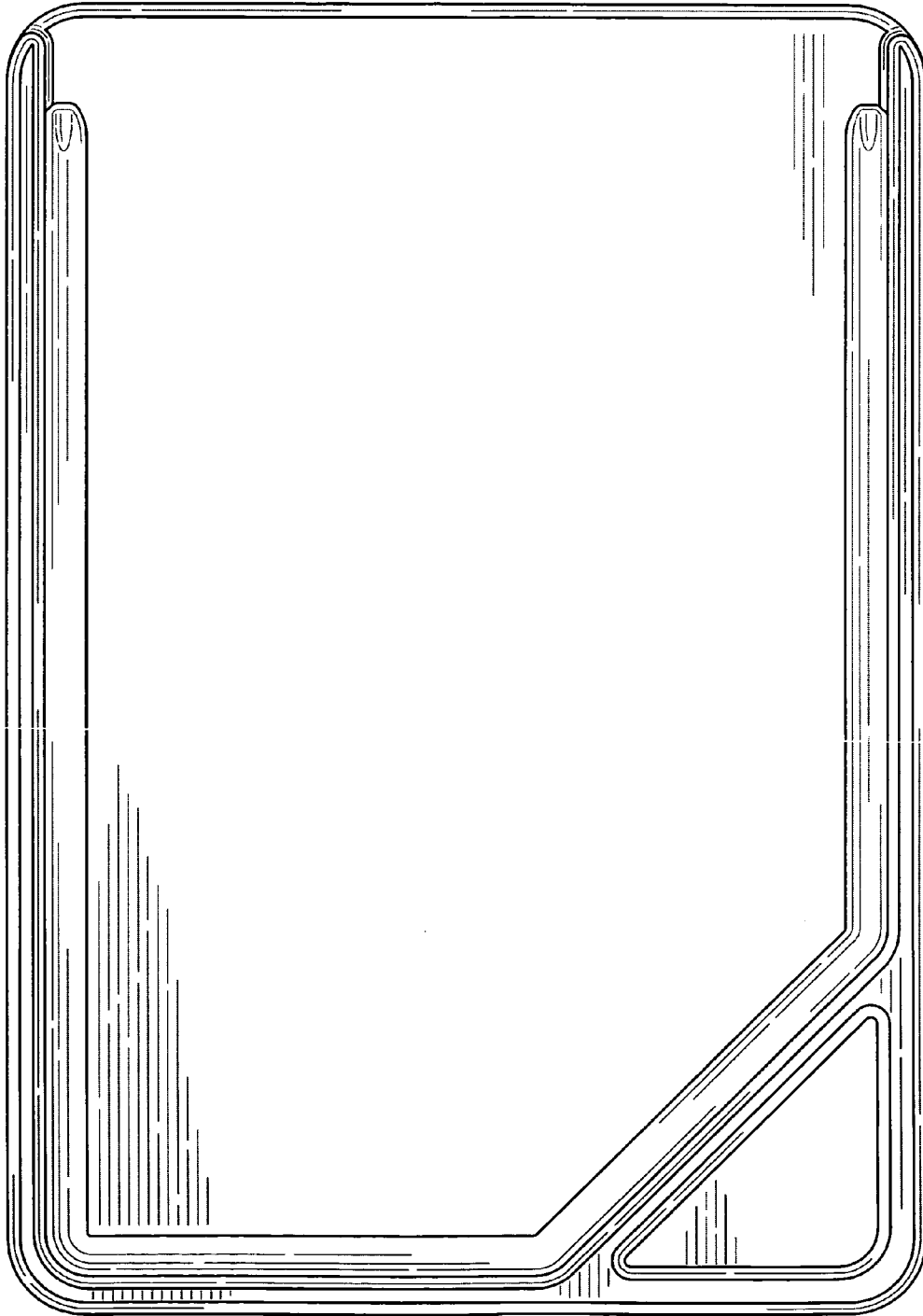


FIG. 7

