



US00D848280S

(12) **United States Design Patent** (10) **Patent No.:** **US D848,280 S**
Troudt et al. (45) **Date of Patent:** **** May 14, 2019**

(54) **CONTAINER**

(71) Applicant: **D6 Inc.**, Portland, OR (US)

(72) Inventors: **Martin Troudt**, Wood Village, OR (US); **Ed Dominion**, Portland, OR (US); **Ryan Newson**, Portland, OR (US)

(73) Assignee: **D6 Inc.**, Portland, OR (US)

(**) Term: **15 Years**

(21) Appl. No.: **29/619,252**

(22) Filed: **Sep. 27, 2017**

(51) **LOC (11) Cl.** **09-03**

(52) **U.S. Cl.**

USPC **D9/737**

(58) **Field of Classification Search**

USPC D9/341, 347, 414-432, 440, 444, 447, D9/449, 450-454, 503, 504, 737, 759, D9/761, 456; D7/672, 601, 550.1, 551.1, D7/551.2, 551.3, 552.1, 552.2, 553.1, D7/553.2, 553.3, 553.4, 553.5, 553.7, D7/553.8, 554.1, 554.3, 555, 557, 602, D7/629, 630, 538-542, 612-615, 584, D7/586, 587, 392.1, 709, 502, 608, 622, D7/701, 703, 543-549, 317-319, 391, D7/392, 396.2, 510, 511; D3/273, D3/201-206, 276, 283, 284, 295, 274, D3/302; D11/143; 249/126, 134; 206/216, 217, 541-550, 518, 557, 558, 206/561, 564, 223, 467; 220/669-673, 220/675, 574-575, 573.1, 4.21, 660, 326, 220/236, 780-806, 4.24, 288, 260, 266, 220/306, 352, 356, 523, 23.8, 23.2, 23.83, 220/23.4, 662, 792-799, 700, 701, 703, 220/711, 713-715, 719; 426/106; 229/107, 406, 120, 125.17; 215/211, 200, 215/224, 243

CPC B65D 1/36; B65D 2543/00194; B65D 2543/00296; B65D 2543/00555; B65D 2581/3425; B65D 25/04; B65D 43/0218; B65D 2543/00083; B65D 2543/00268;

(Continued)

(56) **References Cited**

U.S. PATENT DOCUMENTS

D195,682 S * 7/1963 Grogel D7/553.2
3,401,863 A * 9/1968 Wall B65D 1/36
220/645

(Continued)

OTHER PUBLICATIONS

Szuah Meal Prep Containers, available Mar. 27, 2018, [online], [site visited Apr. 30, 2018]. Available from internet, <URL: https://www.amazon.com/dp/B07BRGDW9M/ref=sspa_dk_detail_8?psc=1&pd_rd_i=B07BRGDW9M&pd_rd_wg=AtJiT&pd_rd_r=XAERYR2YDM9E1C52C5X2&pd_rd_w=wJzkV (Year: 2018).*

(Continued)

Primary Examiner — Cathron C Brooks

Assistant Examiner — W. A. Teddy Falloway

(74) *Attorney, Agent, or Firm* — Stoel Rives LLP

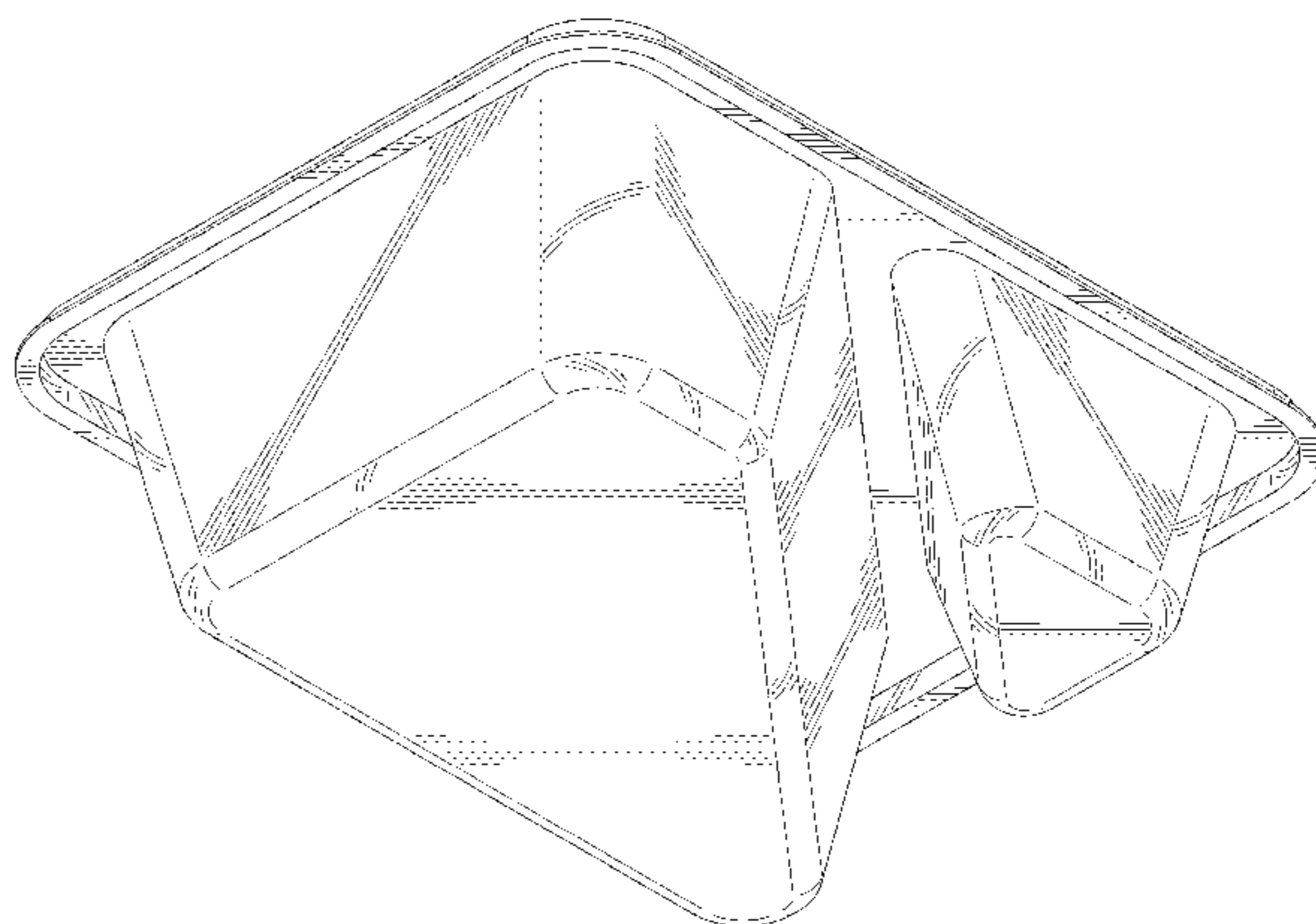
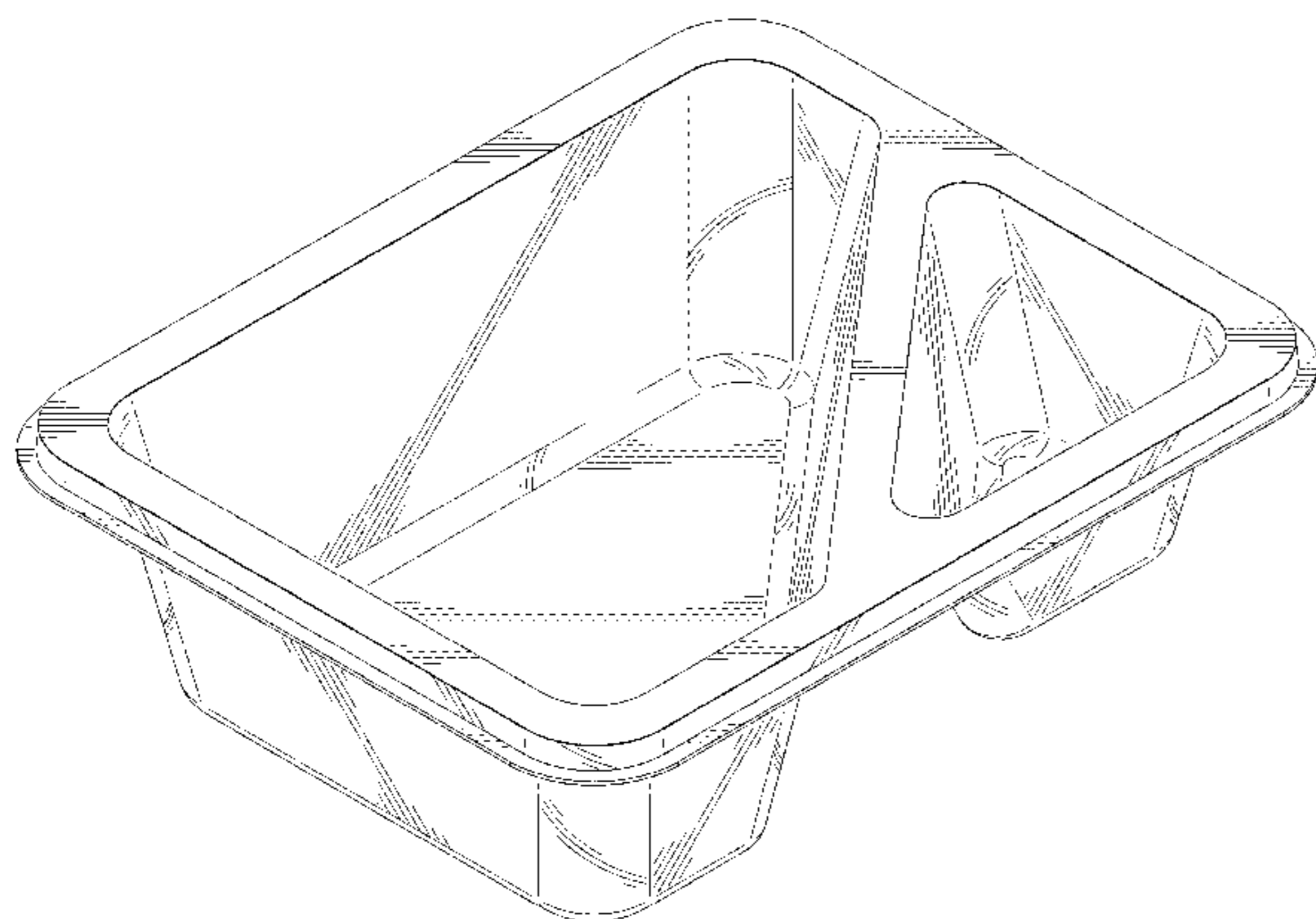
(57) **CLAIM**

The ornamental design for a container, as shown and described.

DESCRIPTION

FIG. 1 is a front, top perspective view of a container showing our new design;
FIG. 2 is front elevation view thereof;
FIG. 3 is rear elevation view thereof;
FIG. 4 is right side view thereof;
FIG. 5 is a left side view thereof;
FIG. 6 is a top plan view thereof;
FIG. 7 is a bottom plan view thereof; and,
FIG. 8 is a front, bottom perspective view thereof.
Any line shading shown illustrates the character and/or contour of the surfaces of the design.

1 Claim, 6 Drawing Sheets



(58) **Field of Classification Search**

CPC B65D 2543/00277; B65D 2543/00351;
 B65D 81/3453; B65D 43/16; B65D
 51/28; B65D 43/162; B65D 1/24; B65D
 21/0237; B65D 2543/00101; A47G 19/02;
 A47G 19/065; A47G 23/0608; A47G
 23/06

See application file for complete search history.

D555,475	S *	11/2007	Enriquez	D9/432
D586,623	S *	2/2009	Dunn	D7/541
D606,885	S *	12/2009	Olsson	D7/555
7,874,449	B1 *	1/2011	Studee	A47G 19/02 206/219
D695,107	S *	12/2013	Clements	D9/425
D792,222	S *	7/2017	Sill	D9/456
2002/0108955	A1 *	8/2002	Erb	B65D 1/36 220/359.4
2007/0178194	A1 *	8/2007	Everard	A23G 3/54 426/106

(56) **References Cited**

U.S. PATENT DOCUMENTS

D224,585	S *	8/1972	Jewell	D9/761
D224,586	S *	8/1972	Jewell	D9/761
D235,498	S *	6/1975	Day	D7/553.3
D235,499	S *	6/1975	Day	D7/553.3
4,026,457	A *	5/1977	Schubert	B65D 1/36 220/23.8
D276,201	S *	11/1984	Wolff	D7/553.3
D280,060	S *	8/1985	Holz Kopf	D7/553.2
D283,666	S *	5/1986	Holz Kopf	D7/357
D352,203	S *	11/1994	Campbell	D7/546
D376,953	S *	12/1996	Dunn	D7/549
D378,726	S *	4/1997	Dunn	D7/549
D379,301	S *	5/1997	Lippincott	D9/424
D395,003	S *	6/1998	Daniels	D9/737
5,839,574	A *	11/1998	Lorence	B65D 77/0433 206/216
6,119,862	A *	9/2000	Childress	B65D 1/36 206/557
D432,409	S *	10/2000	Feldmeier	D9/737
D451,769	S *	12/2001	Stanos	D7/629
D456,247	S *	4/2002	Castellanos	D9/425
D461,406	S *	8/2002	Iacovelli	D9/432
D463,977	S *	10/2002	Castellanos	D9/425
6,471,084	B2 *	10/2002	Erb	B65D 1/36 220/359.4
D471,766	S *	3/2003	Bradley	D7/549
D494,857	S *	8/2004	Chen	D9/424
D504,326	S *	4/2005	Vovan	D9/425
7,017,774	B2 *	3/2006	Haedt	B65D 1/28 206/564

OTHER PUBLICATIONS

Bento Box Base, available Apr. 14, 2018, [online], [site visited Apr. 30, 2018]. Available from internet, <URL: https://web.archive.org/web/20180414081122/http://www.pak-rite.com.au/3_dash_745727/BENTO-BOX-BASE/pd.php (Year: 2018).*

3-Compartment Food Container, available Apr. 30, 2018, [online], [site visited Apr. 30, 2018]. Available from internet, <URL: <http://jiaxingbest.manufacturer.globalsources.com/si/6008845131807/pdtl/Disposable-food-container/1159465261/3-compartment-food-container.htm> (Year: 2018).*

TNG 4-Comp Bento Boxes with Lids, available Apr. 30, 2018, [online], [site visited Apr. 30, 2018]. Available from internet, <URL: <http://tngpackaging.com/products/containers/?&SingleProduct=261> (Year: 2018).*

Enhance 4 Compartment + 1 Sauce Bento Packaging, available Apr. 30, 2018, [online], [site visited Apr. 30, 2018]. Available from internet, <URL: <https://www.happypacksg.com/products/enhance-bento-box-50-per-lot> (Year: 2018).*

U.S. Appl. No. 29/619,253, filed Sep. 27, 2017, 23 pages.

U.S. Appl. No. 29/619,253, Filing Receipt dated Oct. 2, 2017, 3 pages.

U.S. Appl. No. 29/619,253 Office Action dated May 4, 2018, 6 pages.

U.S. Appl. No. 29/619,253 Response to Office Action dated Jul. 30, 2018, 8 pages.

* cited by examiner

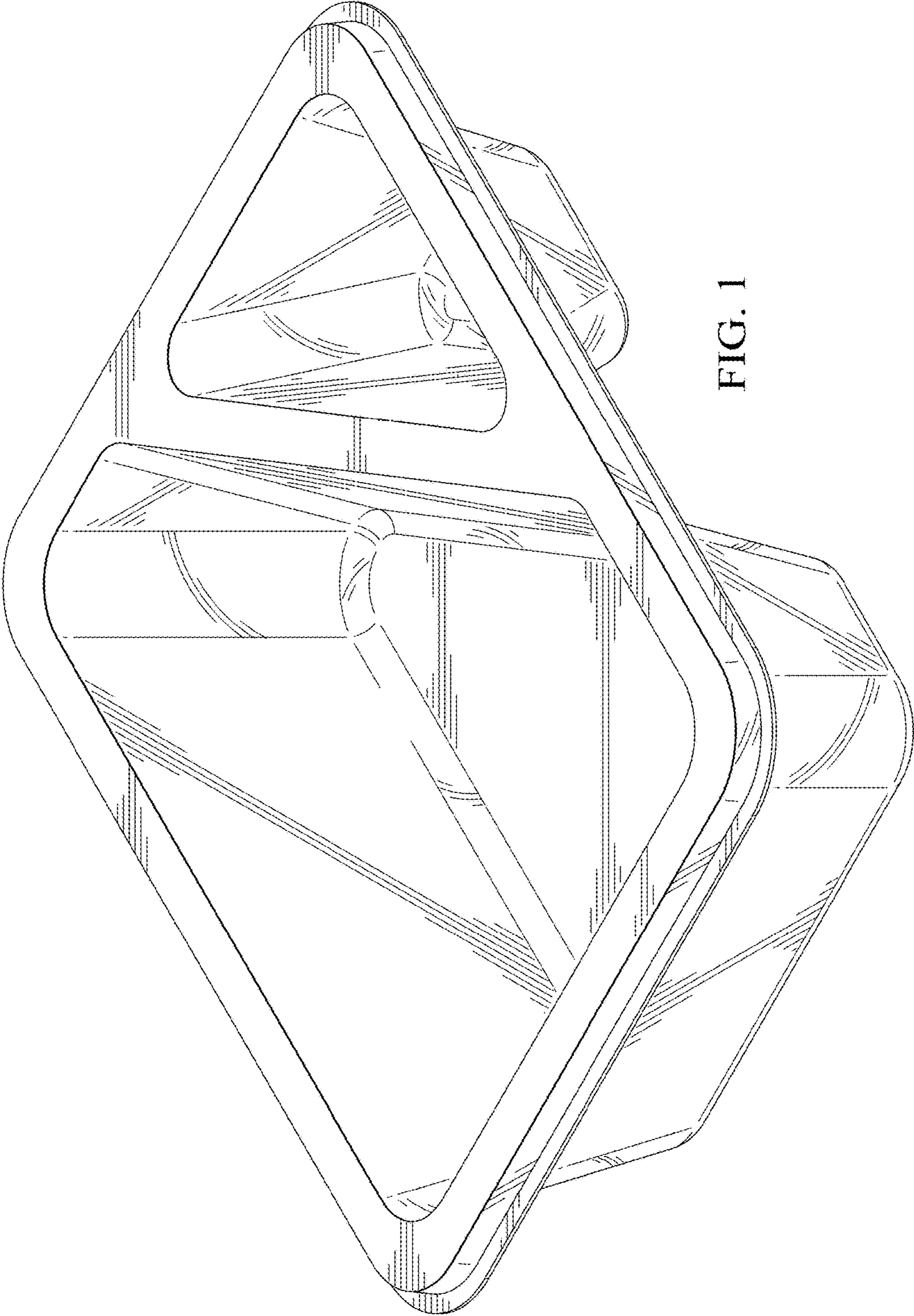


FIG. 1

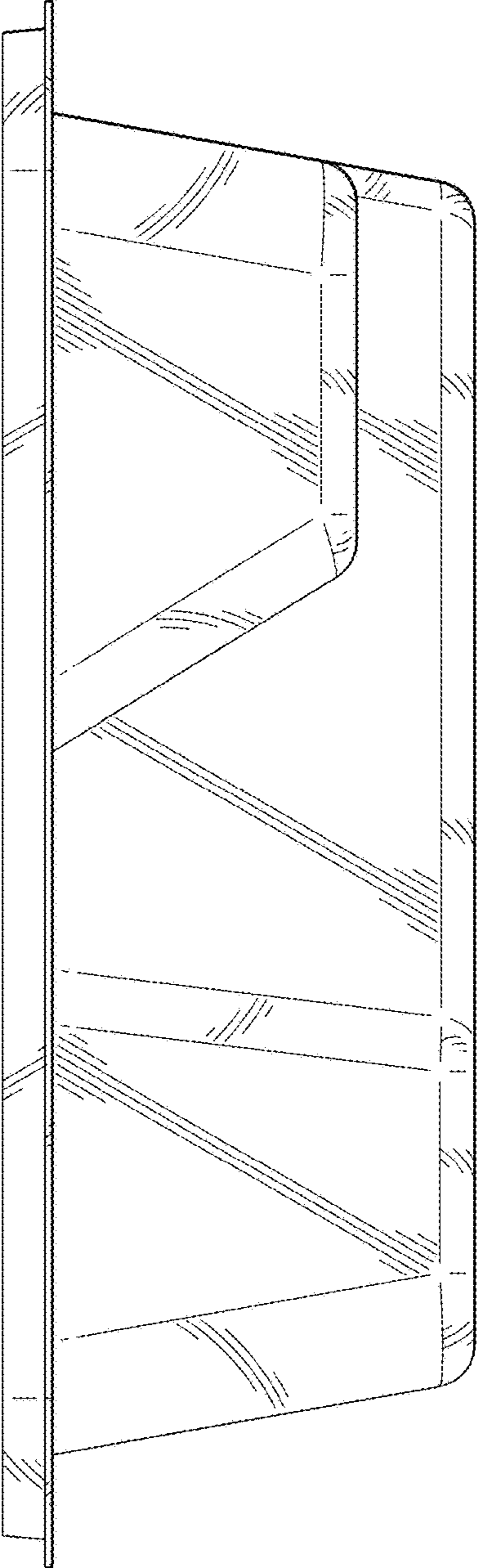


FIG. 2

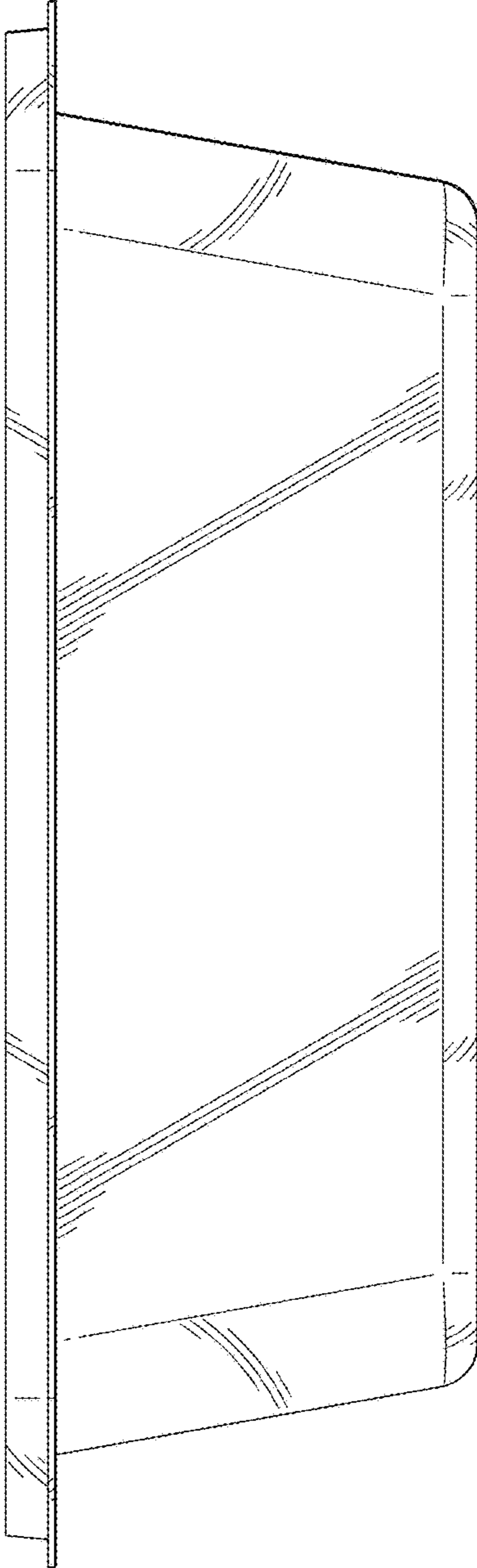


FIG. 3

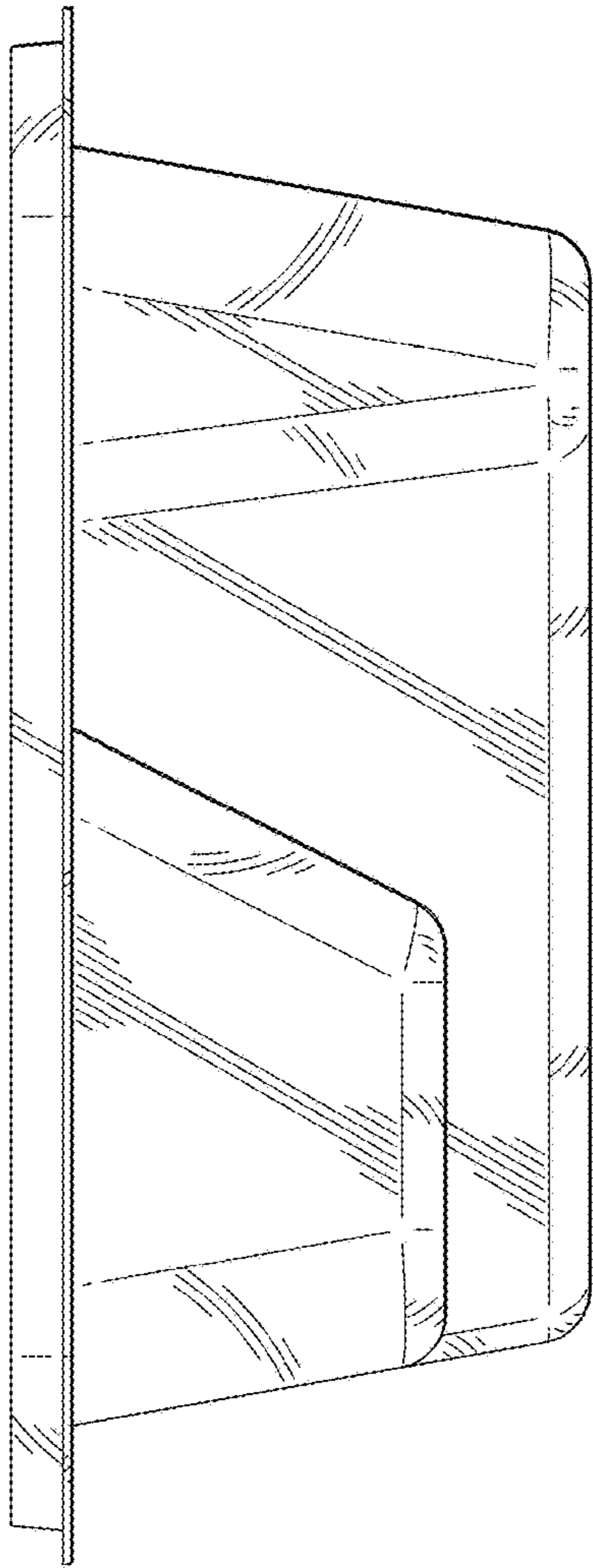


FIG. 4

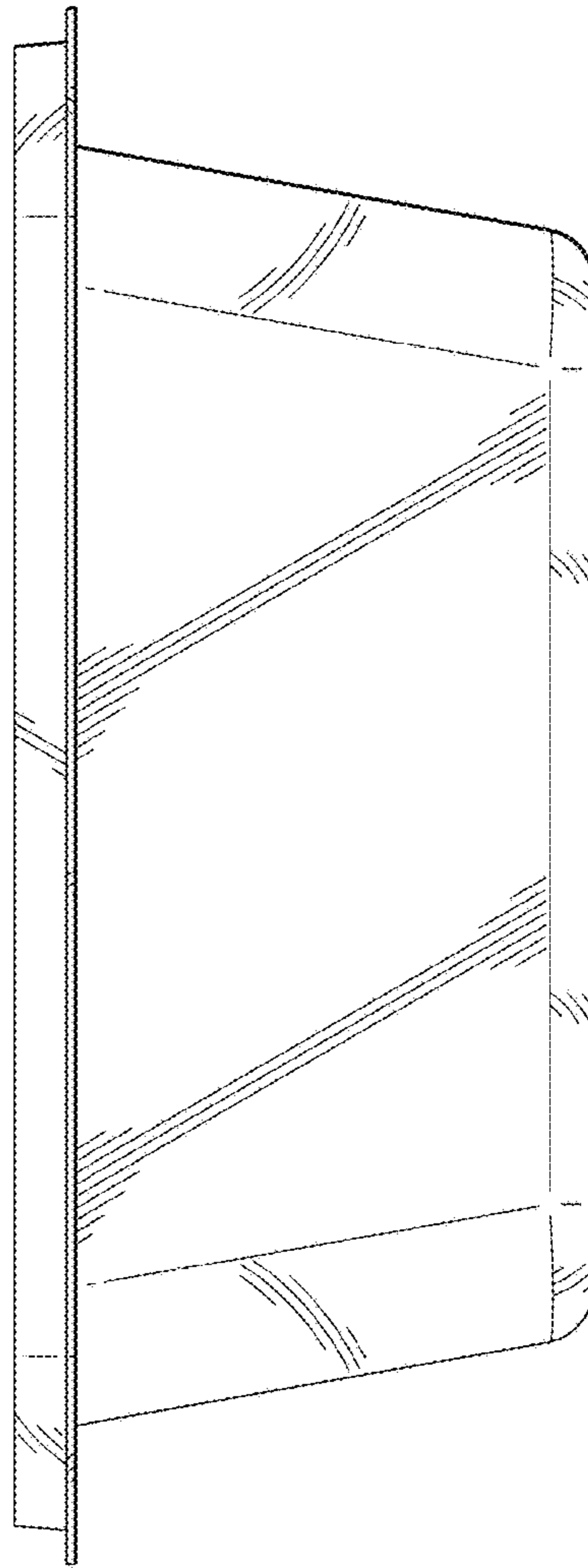


FIG. 5

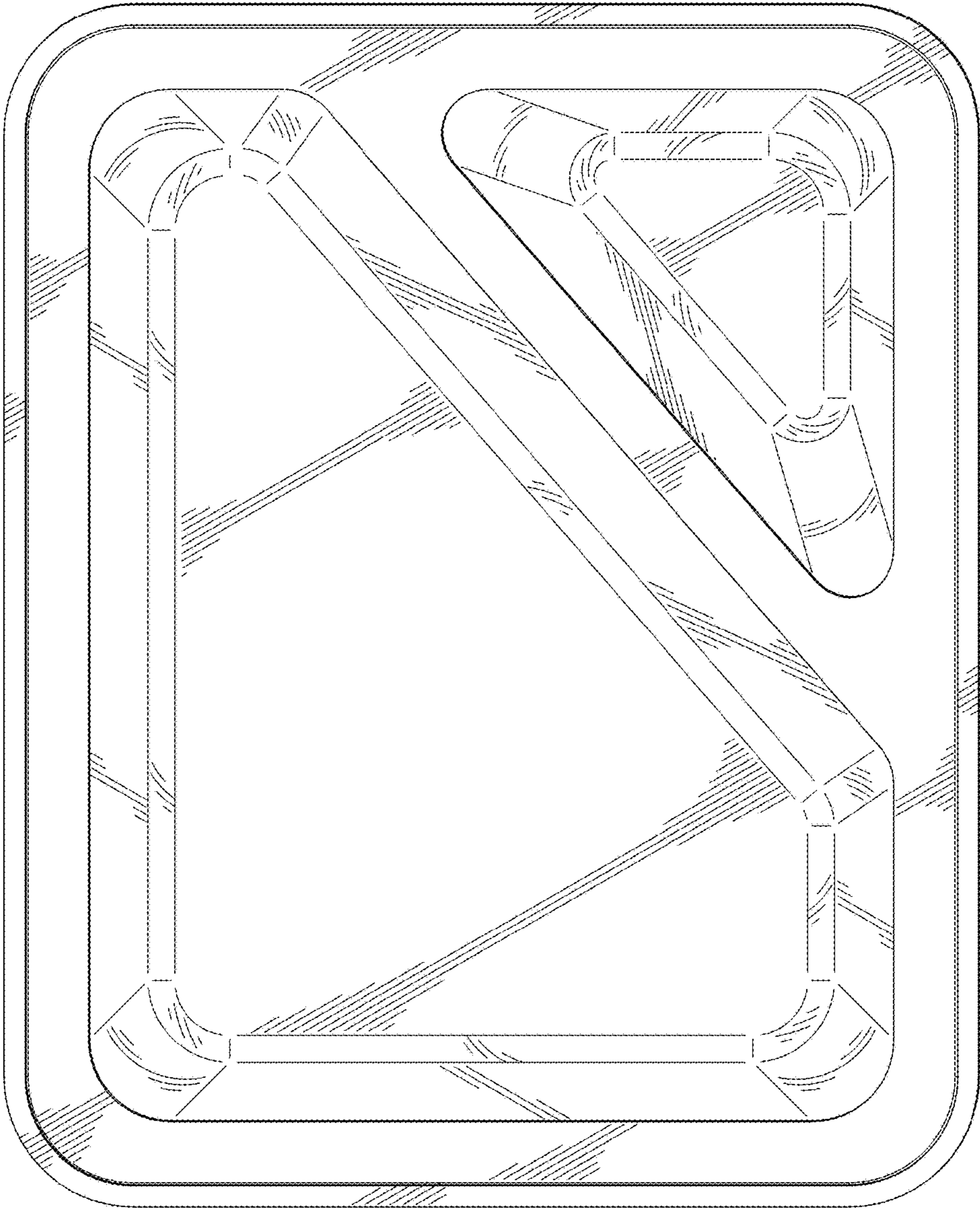


FIG. 6

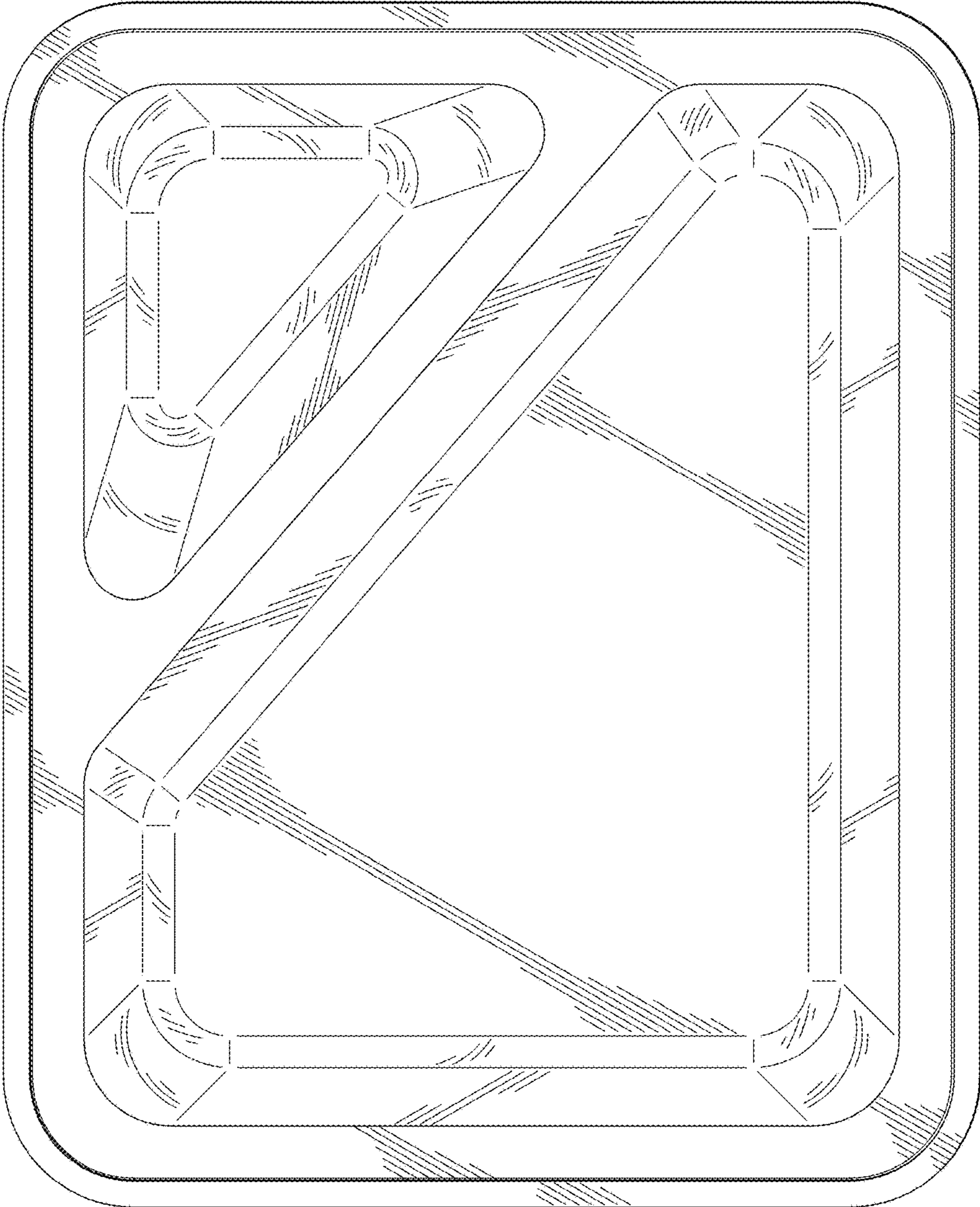


FIG. 7

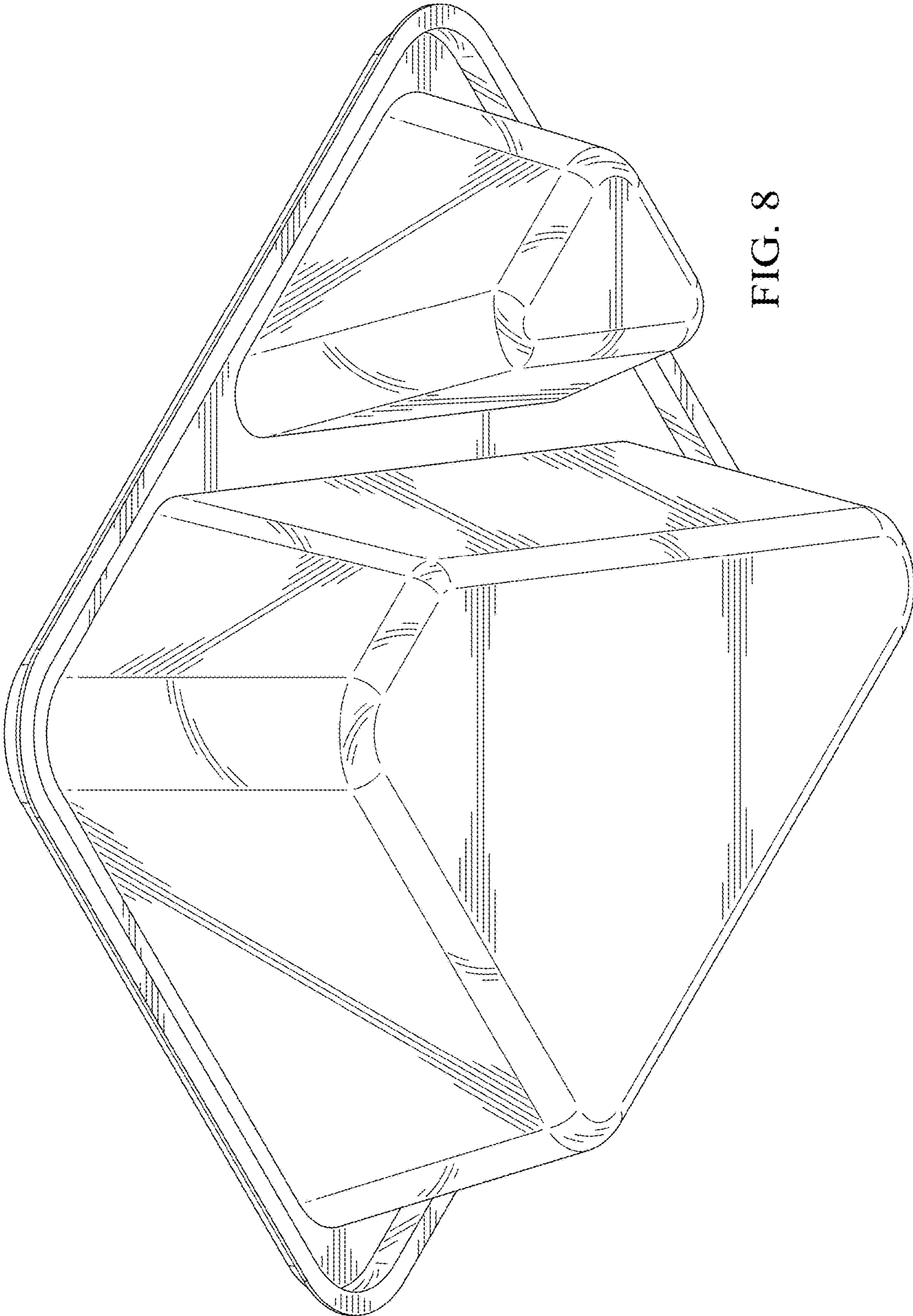


FIG. 8