



US00D964641S

(12) **United States Design Patent**
Han

(10) **Patent No.:** **US D964,641 S**

(45) **Date of Patent:** **** *Sep. 20, 2022**

- (54) **SMOKING DEVICE**
- (71) Applicant: **Jeffrey Han**, Los Altos Hills, CA (US)
- (72) Inventor: **Jeffrey Han**, Los Altos Hills, CA (US)
- (73) Assignee: **Tyger Manufacturing LLC**, San Mateo, CA (US)
- (*) Notice: This patent is subject to a terminal disclaimer.
- (**) Term: **15 Years**

D639,414	S	*	6/2011	Berndt	D23/366
D742,065	S	*	10/2015	Leidel	D27/167
D752,807	S	*	3/2016	Young	D27/163
D810,263	S	*	2/2018	Lu	D23/366
D855,882	S	*	8/2019	Flood	D27/194
D872,357	S	*	1/2020	Hoch	D27/194
D873,399	S	*	1/2020	Nykowski	D23/364
D898,024	S	*	10/2020	Lai	D14/371
D910,823	S	*	2/2021	Zou	D23/356
D925,119	S	*	7/2021	Kim	D27/194
2014/0158129	A1	*	6/2014	Pratt, Jr.	A61M 11/02 128/203.26
2021/0337861	A1	*	11/2021	Han	A24F 5/10

- (21) Appl. No.: **29/755,679**
- (22) Filed: **Oct. 22, 2020**

OTHER PUBLICATIONS

grass city.com; UFO Pipe; <https://www.grasscity.com/ufo-pipe.html>; US; date of publication unknown.

(Continued)

Related U.S. Application Data

- (63) Continuation-in-part of application No. 29/744,566, filed on Jul. 30, 2020.
- (51) **LOC (13) Cl.** **27-02**
- (52) **U.S. Cl.**
USPC **D27/162**
- (58) **Field of Classification Search**
USPC D27/100, 103, 162-165, 167, 169, 172, D27/180, 183, 194; D23/356, 364, 366; D24/110, 110.5
CPC A24F 47/00; A24F 47/002; A24F 1/30; A24F 1/00; A24F 1/10; A24F 1/06; A24F 1/08; A61M 15/06; A24D 3/17; A24D 3/18; A24D 3/00
See application file for complete search history.

Primary Examiner — Rebecca Tsehaye
(74) *Attorney, Agent, or Firm* — Steven N. Fox, Esq.

(57) **CLAIM**

The ornamental design for a smoking device, as shown and described.

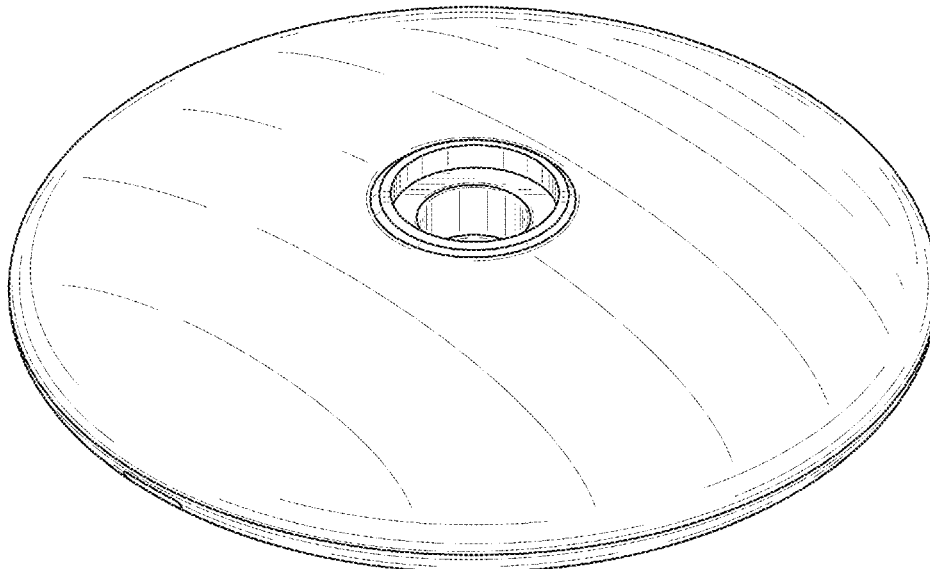
DESCRIPTION

FIG. 1 is a top perspective view of a smoking device according to the present invention;
FIG. 2 is a bottom perspective view of the smoking device according to the present invention;
FIG. 3 is a top plan view thereof;
FIG. 4 is a bottom plan view thereof;
FIG. 5 is a front view thereof;
FIG. 6 is a rear view thereof;
FIG. 7 is a left side view thereof; and,
FIG. 8 is a right side view thereof.
Portions of the smoking device shown in broken lines form no part of the claimed design.

- (56) **References Cited**
U.S. PATENT DOCUMENTS

D279,216	S	*	6/1985	Mango	D23/362
D443,350	S	*	6/2001	Delmenico	D23/360
D621,495	S	*	8/2010	Li	D23/366

1 Claim, 6 Drawing Sheets



(56)

References Cited

OTHER PUBLICATIONS

David Lee; UFO Pipe; <https://www.ulule.com/ufopipe/>; US; date of publication unknown.

Diode; UFO Pipe; <https://www.thingiverse.com/thing:664606>; US; Feb. 3, 2015.

WILLYBANJOLTD; Raswell UFO Art Hand Pipe; <https://www.ebay.co.uk/itm/The-Raswell-UFO-art-hand-pipe-Top-Quality-anodized-aluminium-stainless-steel-/202885778268>; UK; Date of publication unknown.

Smoke Journey LLC; Keo Disc Pipe; <https://smokejourney.com>; US; Date of Publication Unknown.

* cited by examiner

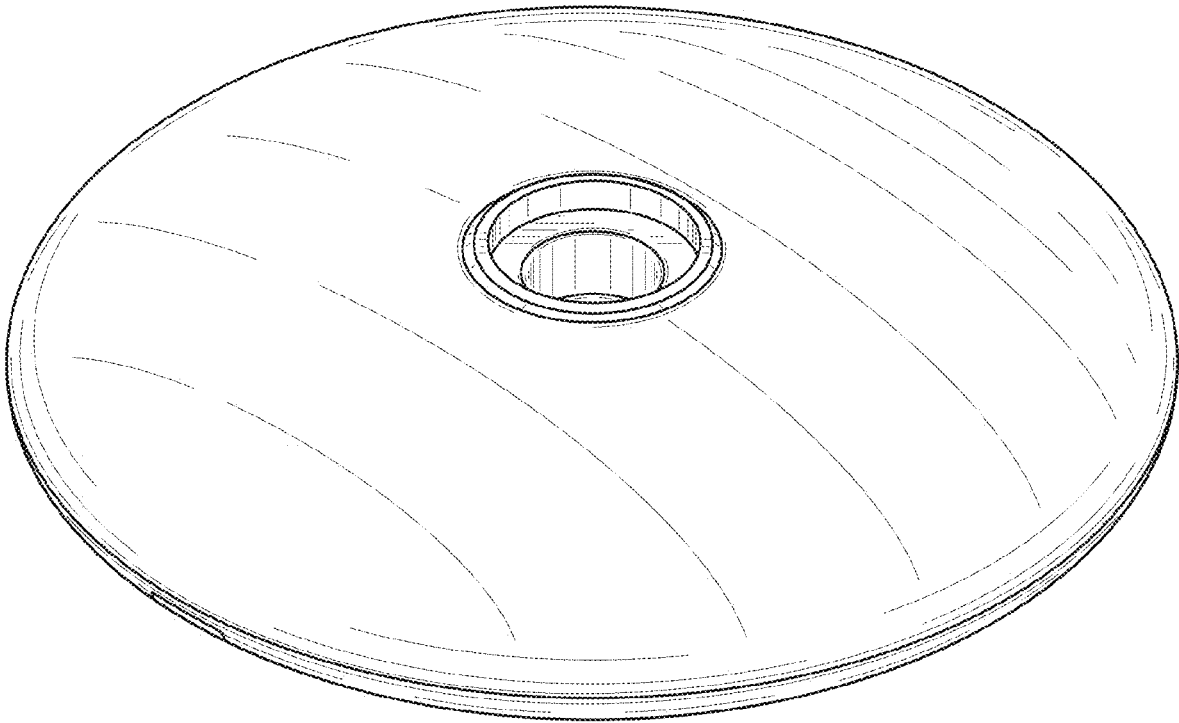


FIG. 1

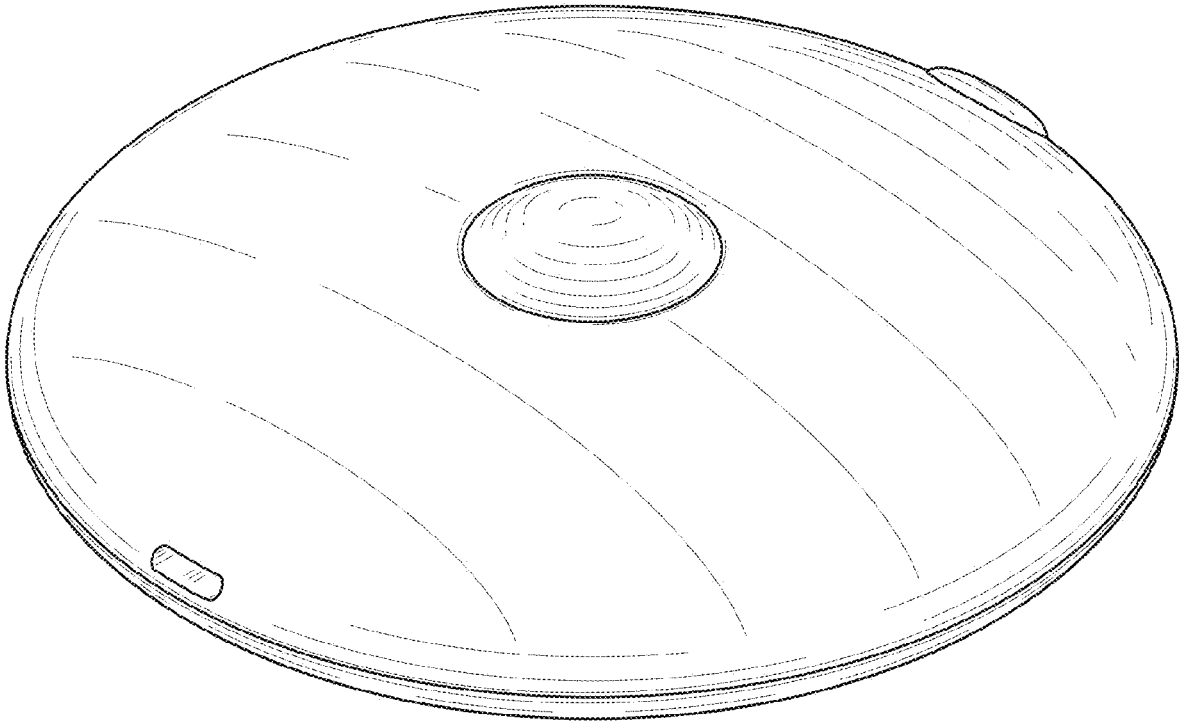


FIG. 2

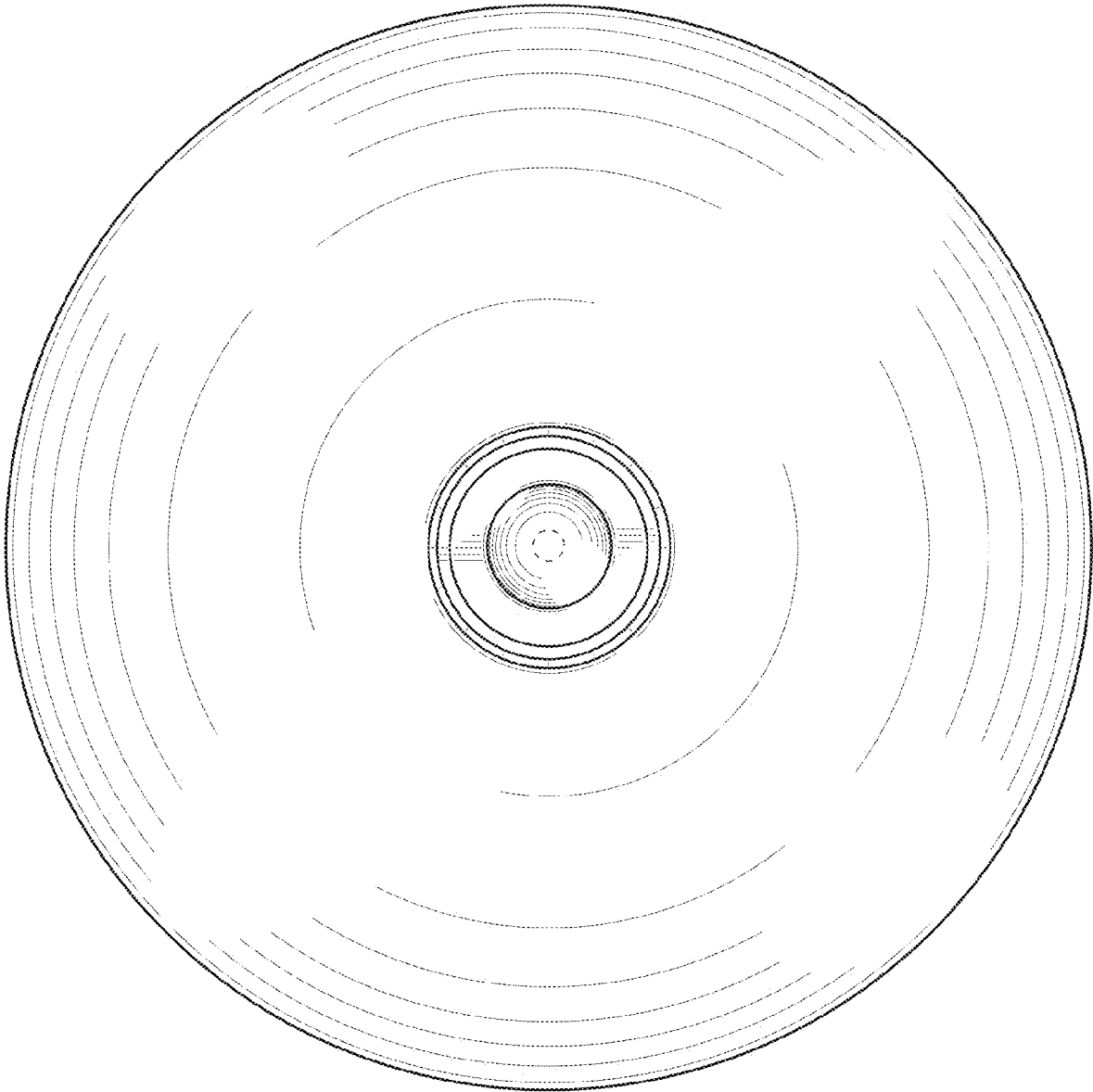


FIG. 3

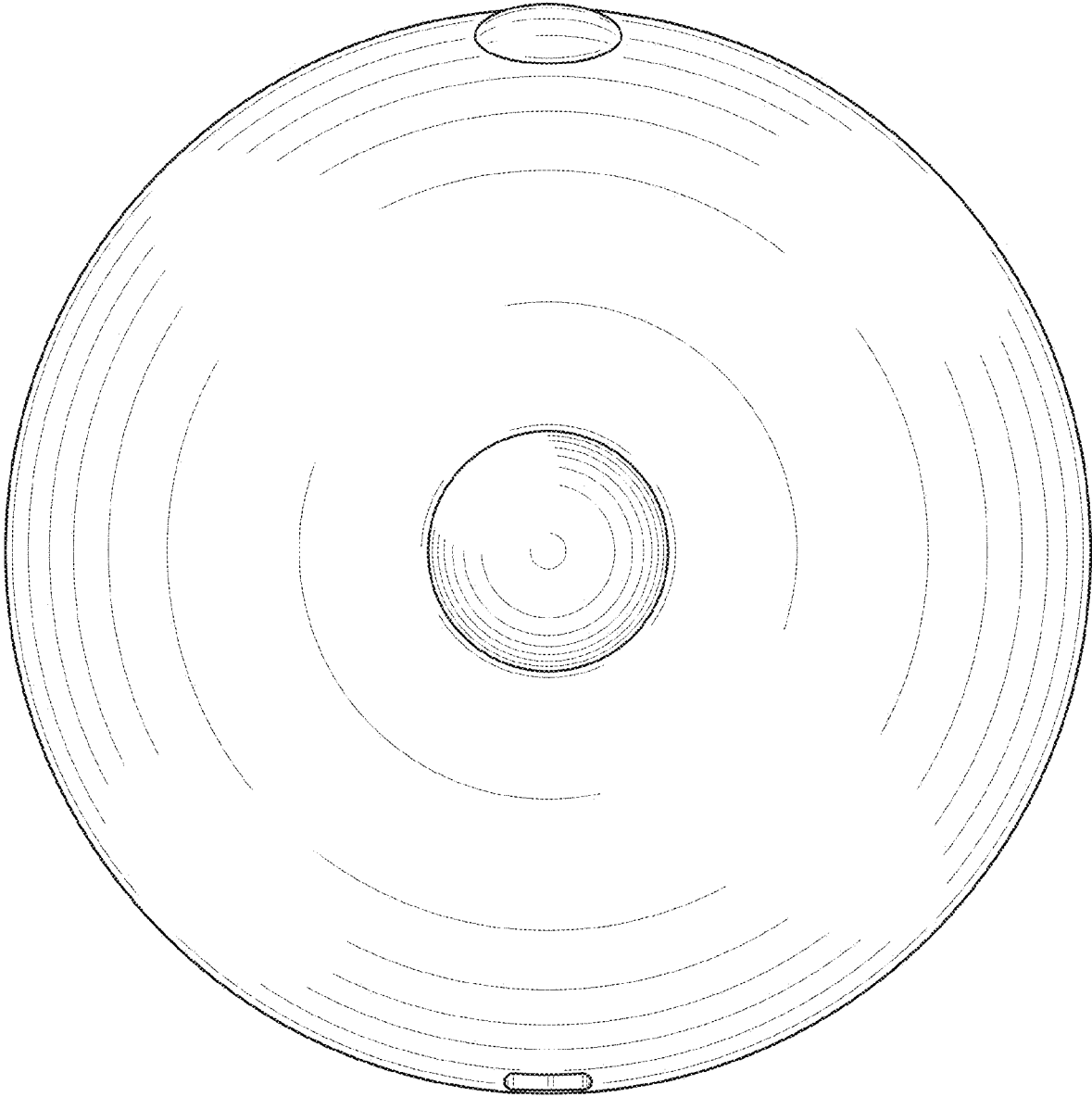


FIG. 4

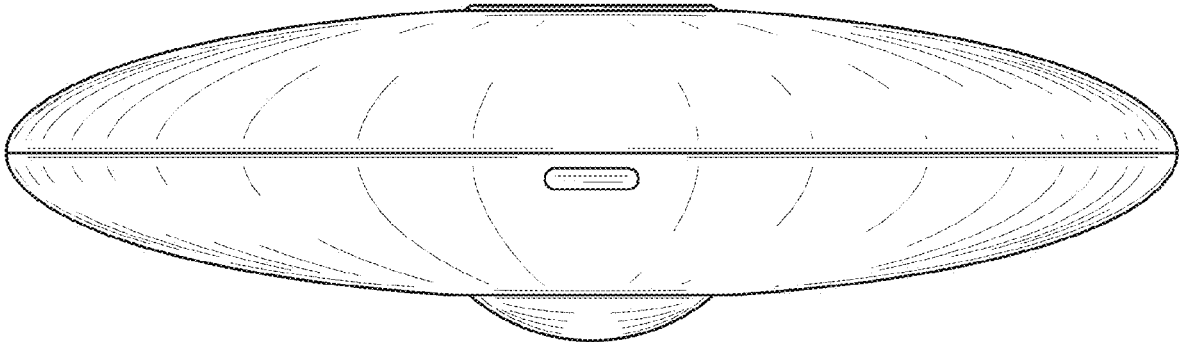


FIG. 5

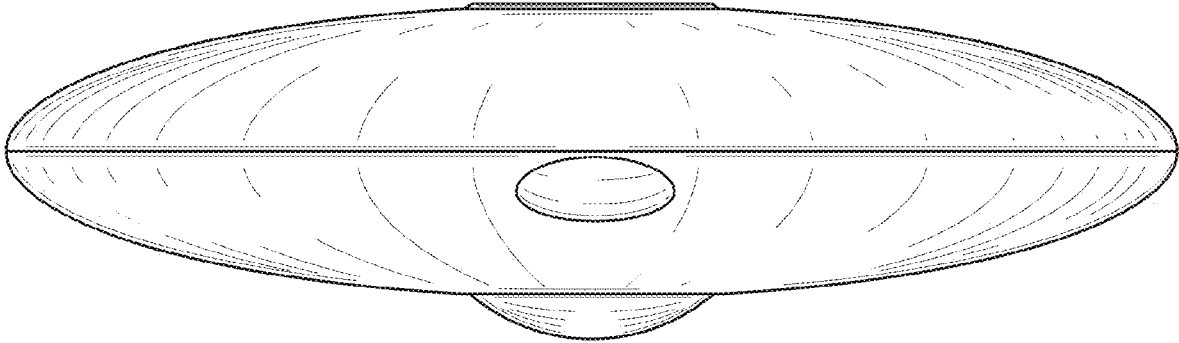


FIG. 6

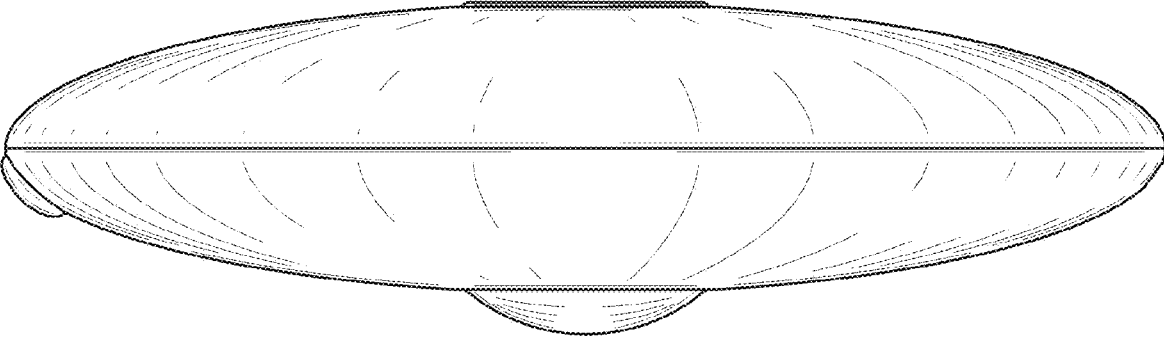


FIG. 7

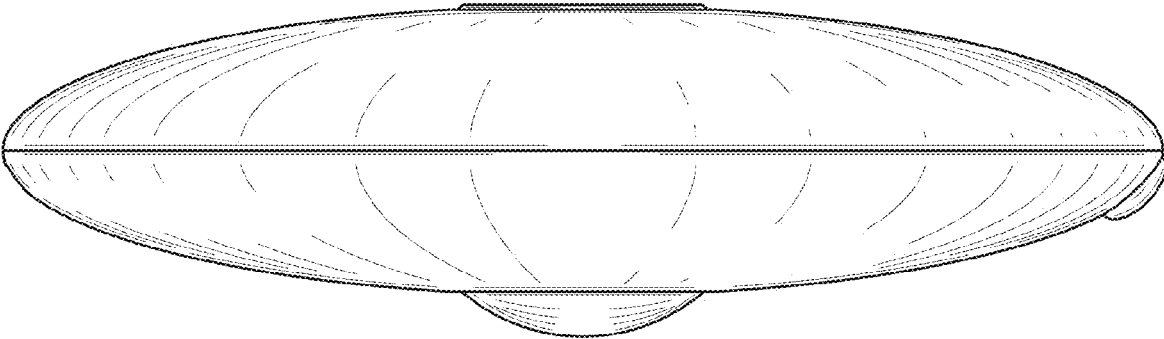


FIG. 8