



US00D627188S

(12) **United States Design Patent**
Picozza et al.

(10) **Patent No.:** **US D627,188 S**

(45) **Date of Patent:** **** Nov. 16, 2010**

(54) **COFFEEMAKER**

(75) Inventors: **Augusto Picozza**, Boca Raton, FL (US);
Douglas Goodner, Weston, FL (US);
Robert J. Kelley, The Woodlands, TX (US)

(73) Assignee: **Sunbeam Products, Inc.**, Boca Raton, FL (US)

(**) Term: **14 Years**

(21) Appl. No.: **29/354,442**

(22) Filed: **Jan. 25, 2010**

(51) **LOC (9) Cl.** **07-01**

(52) **U.S. Cl.** **D7/309; D7/311; D7/306**

(58) **Field of Classification Search** **D7/309-311, D7/306-308; 99/280, 283, 300, 295**

See application file for complete search history.

(56) **References Cited**

U.S. PATENT DOCUMENTS

D296,971 S *	8/1988	Stutzer	D7/309
D343,758 S *	2/1994	Beeren	D7/309
D403,199 S *	12/1998	Micoley	D7/309
D446,989 S *	8/2001	Cruz	D7/309
D454,466 S *	3/2002	Hong	D7/309
6,586,710 B2 *	7/2003	Williamson	219/433
D481,902 S *	11/2003	O'Connor et al.	D7/309
D498,110 S *	11/2004	Picozza et al.	D7/309
D511,066 S *	11/2005	Garner	D7/309

D518,328 S *	4/2006	Picozza et al.	D7/309
D545,110 S *	6/2007	Julemont	D7/309
D546,112 S *	7/2007	Rorke et al.	D7/309
D550,499 S *	9/2007	Argabrite et al.	D7/309
D564,280 S *	3/2008	Ting et al.	D7/309
D620,302 S *	7/2010	Picozza et al.	D7/309
7,770,512 B2 *	8/2010	Albrecht	99/295

* cited by examiner

Primary Examiner—Marianne Pandozzi

(74) *Attorney, Agent, or Firm*—Lawrence J. Shurupoff

(57) **CLAIM**

The ornamental design for a coffeemaker, as shown and described.

DESCRIPTION

FIG. 1 is a front perspective view of the coffeemaker showing the new design;

FIG. 2 is a front elevation view thereof;

FIG. 3 is a back elevation view thereof;

FIG. 4 is a left side elevation view thereof;

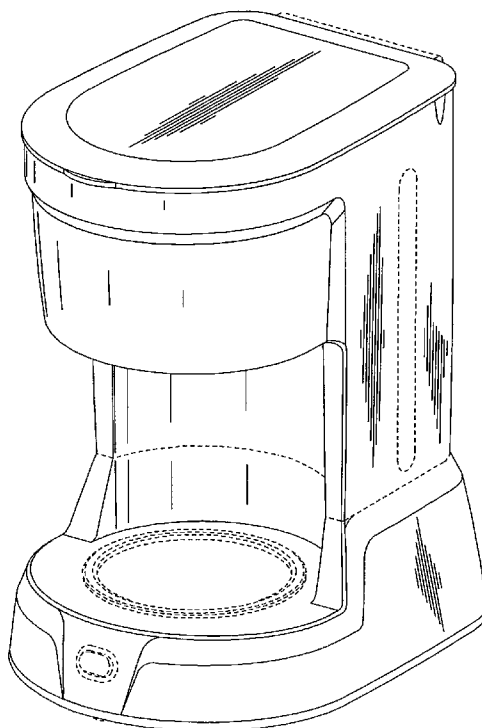
FIG. 5 is a right side elevation view thereof;

FIG. 6 is a top plan view thereof; and,

FIG. 7 is a bottom plan view thereof.

The broken lines in the drawings are for illustrative purposes only and form no part of the claimed design.

1 Claim, 7 Drawing Sheets



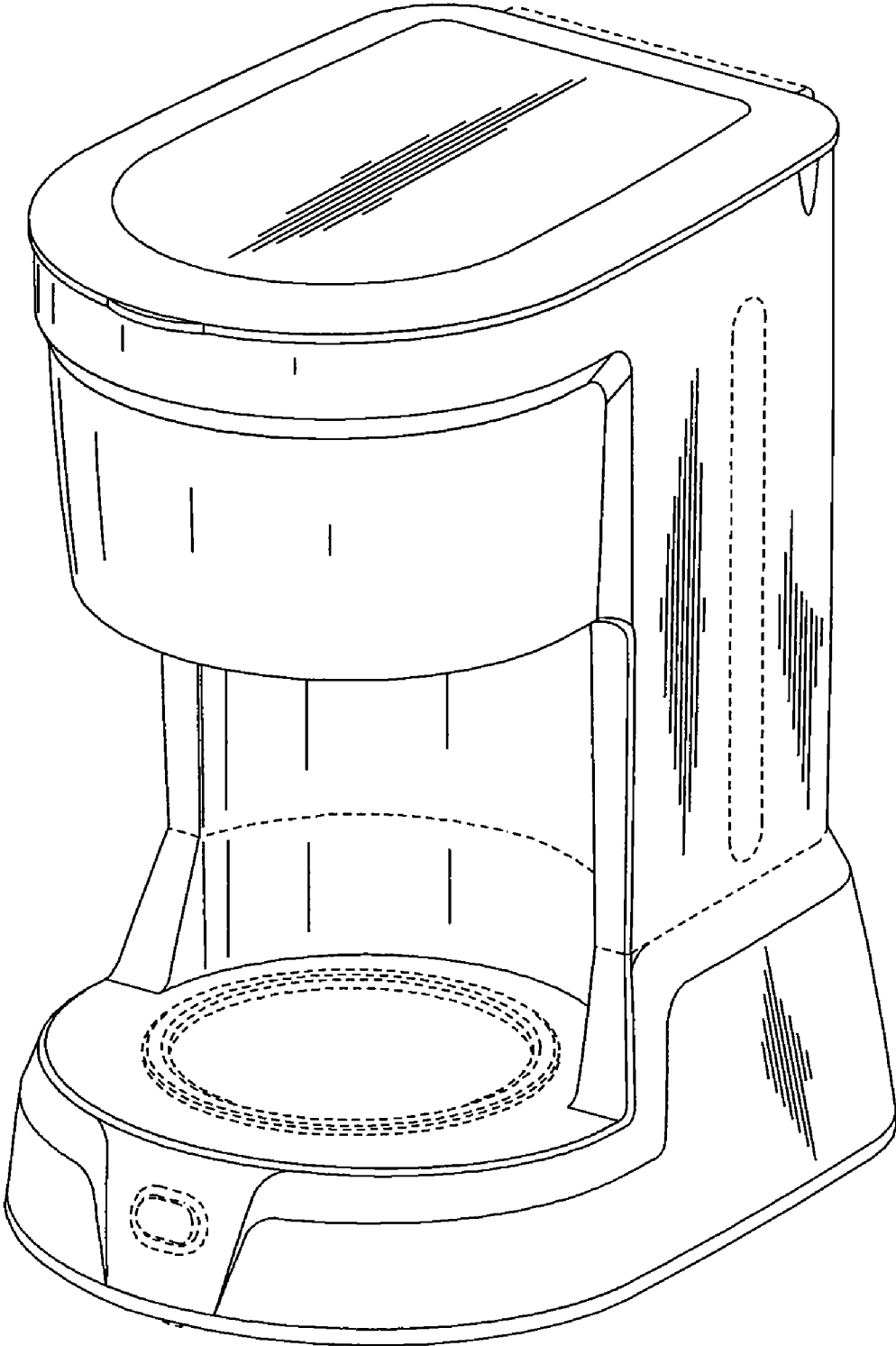


FIG 1

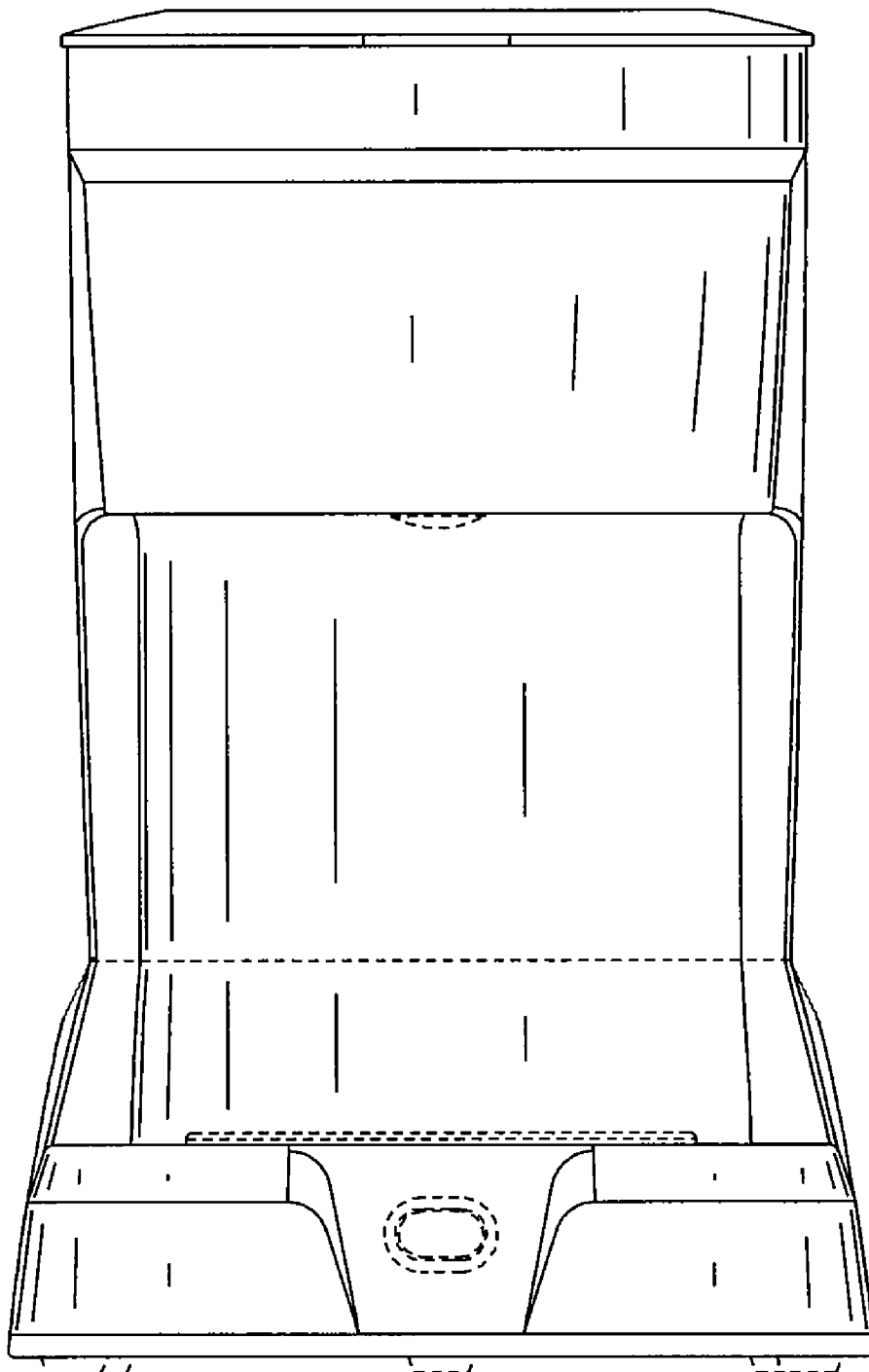


FIG 2

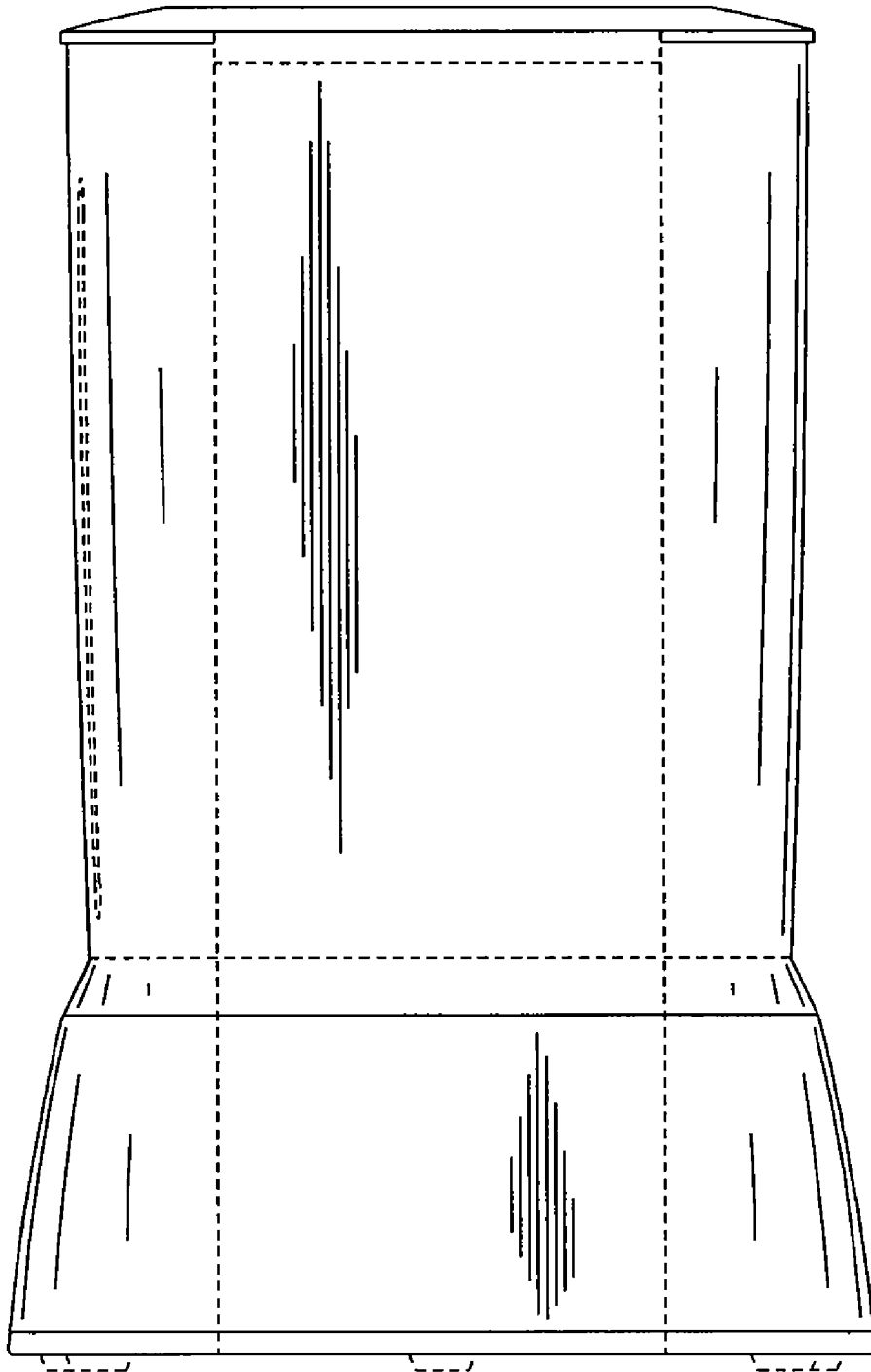


FIG 3

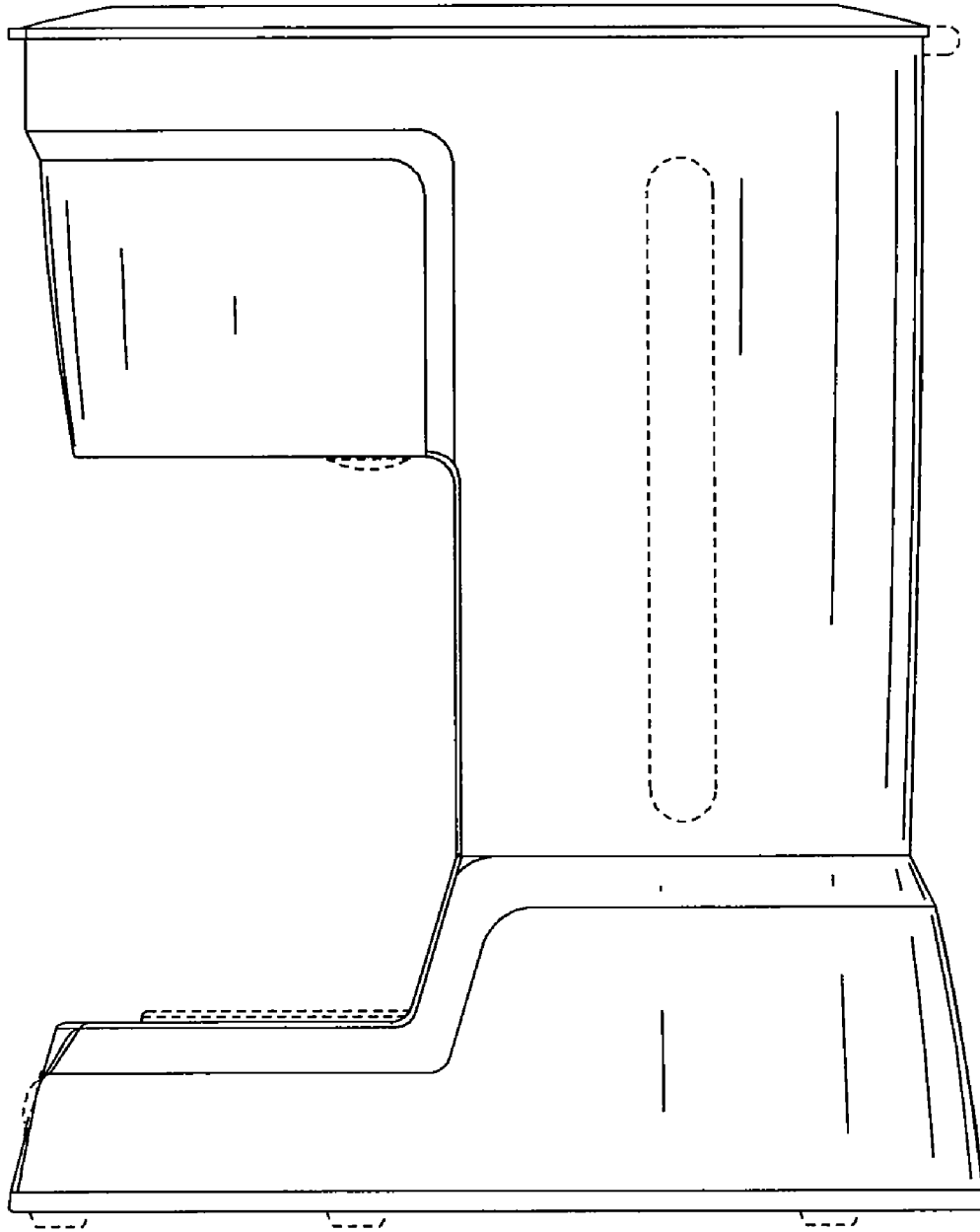


FIG 4

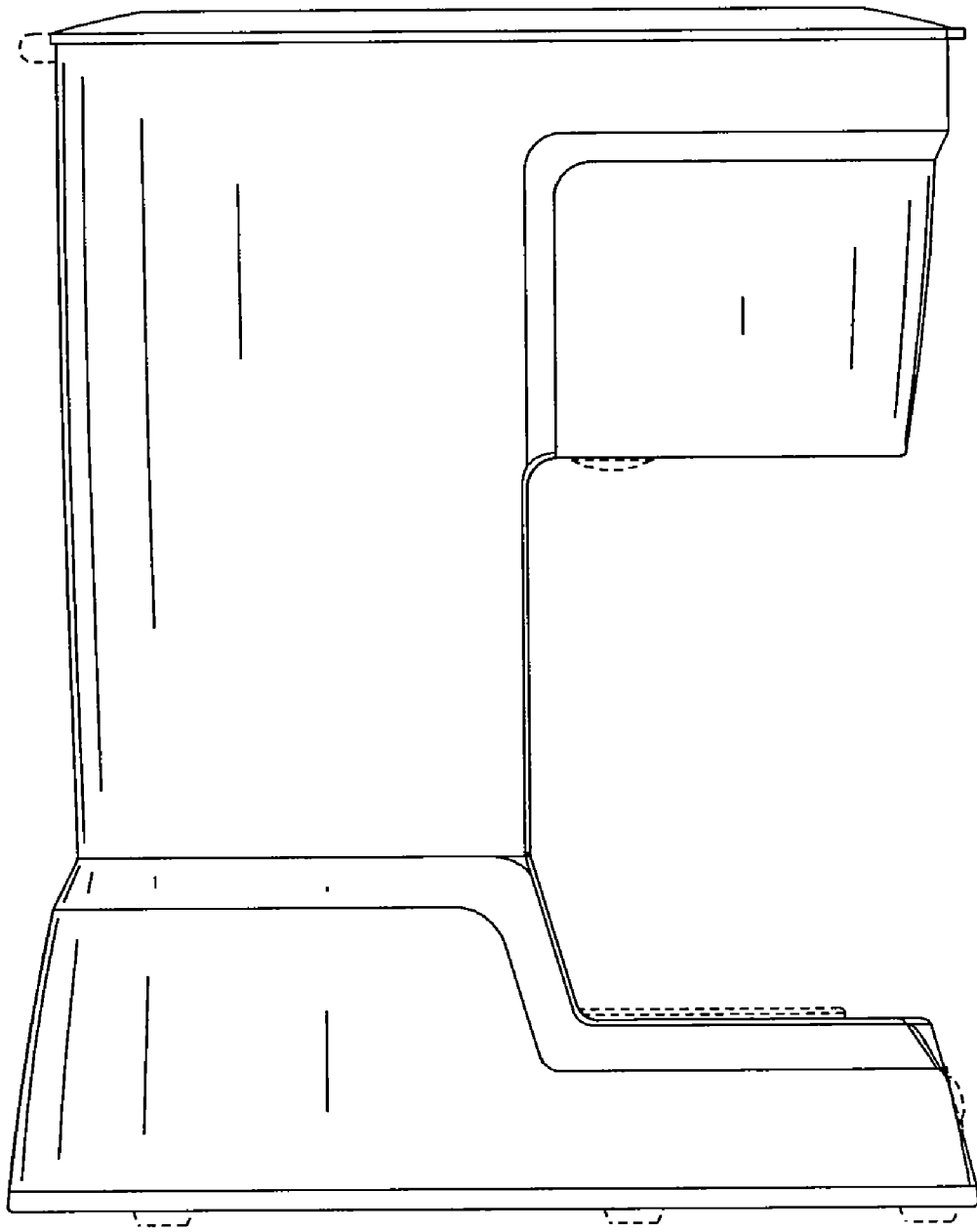


FIG 5

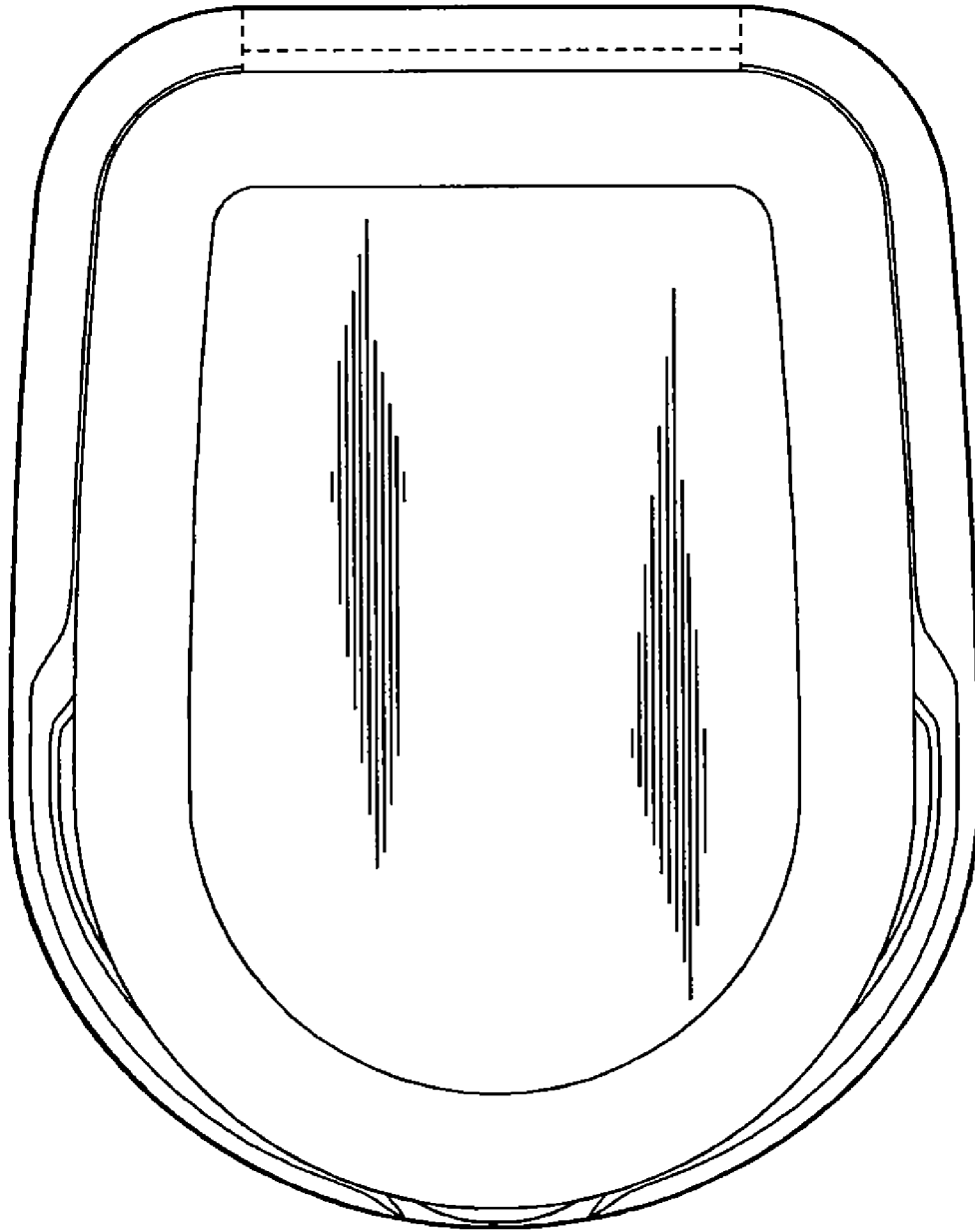


FIG 6

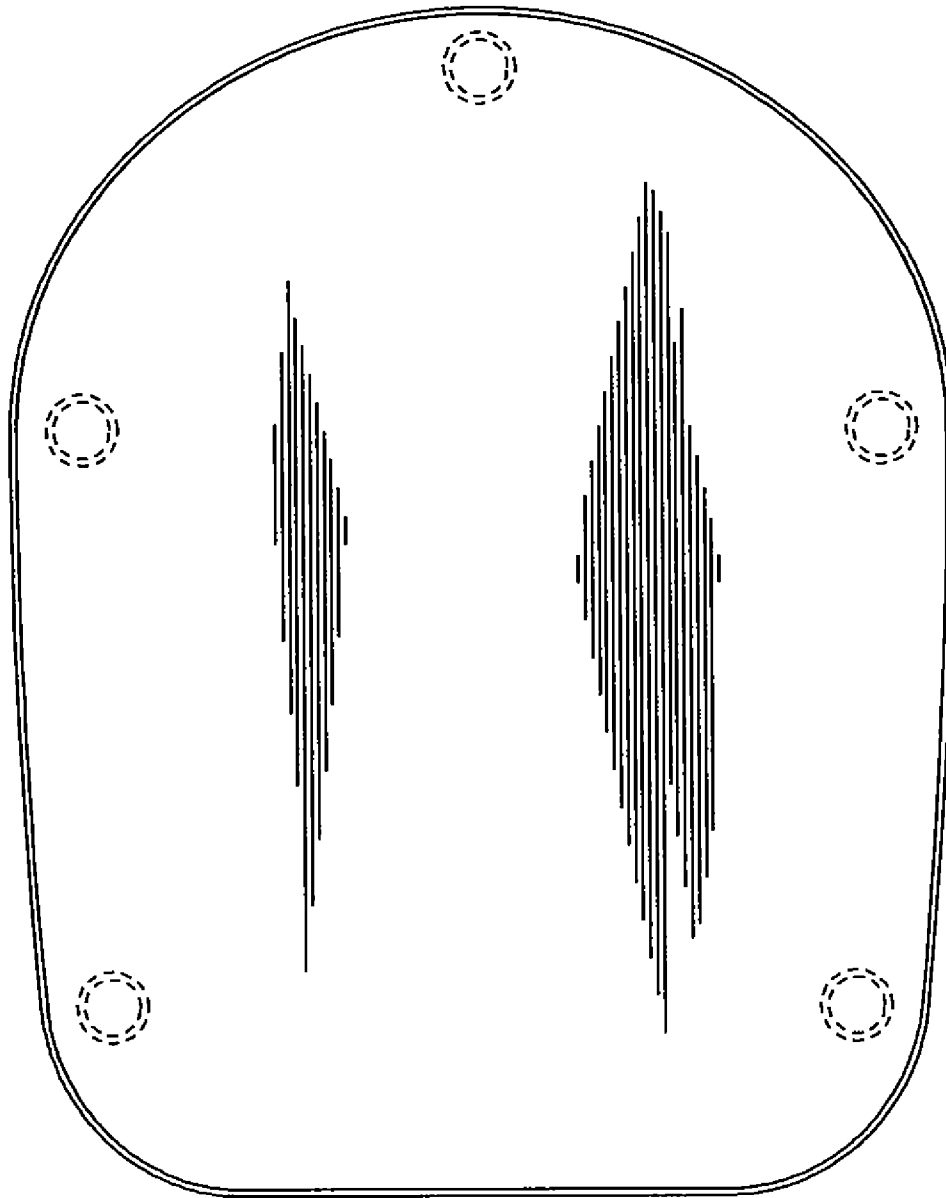


FIG 7