



(12) **United States Design Patent**
Kibbel et al.

(10) **Patent No.:** **US D995,759 S**
(45) **Date of Patent:** **** Aug. 15, 2023**

(54) **SURGICAL CASSETTE**

FOREIGN PATENT DOCUMENTS

(71) Applicant: **Carl Zeiss Meditec AG**, Jena (DE)

CN 306434139 * 4/2021
GB 9007831136-0001 * 4/2020

(72) Inventors: **Steffen Kibbel**, Lauchheim (DE);
Andreas Werner, Aalen (DE);
Christoph Kuebler, Oberkochen (DE);
Peter Eichert, Bissingen (DE)

(Continued)

(73) Assignee: **Carl Zeiss Meditec AG**, Jena (DE)

OTHER PUBLICATIONS

(**) Term: **15 Years**

Straumann® Surgical Cassette, Jun. 25, 2015, youtube.com [online], [site visited May 19, 2022], Available from internet: <https://www.youtube.com/watch?v=WkDwLWECFXo> (Year: 2015).*

(21) Appl. No.: **29/755,715**

(Continued)

(22) Filed: **Oct. 22, 2020**

Primary Examiner — Wendy L. Arminio

Assistant Examiner — Maheen Khurshid

(30) **Foreign Application Priority Data**

(74) *Attorney, Agent, or Firm* — Walter Ottesen, P.A.

Apr. 22, 2020 (EM) 007831136-0004

(57) **CLAIM**

(51) **LOC (14) Cl.** **24-02**

The ornamental design for a surgical cassette, as shown and described.

(52) **U.S. Cl.**

USPC **D24/111**

(58) **Field of Classification Search**

USPC D24/108, 110, 111, 112, 113, 121,
D24/127–130, 133, 144, 150, 170, 172,
D24/176, 184, 185, 186

CPC A61B 34/20; A61B 2017/32007; A61B
17/320068; A61M 3/0258; A61M
5/14228; A61M 2205/12; A61M 16/08;
A61M 1/0058; A61M 2205/3334; A61M
2205/3306

See application file for complete search history.

DESCRIPTION

FIG. 1 is a perspective view of the surgical cassette of our new design;

FIG. 2 is a top plan view of the surgical cassette of FIG. 1;

FIG. 3 is a left side elevation view of the surgical cassette of FIG. 1;

FIG. 4 is a right side elevation view of the surgical cassette of FIG. 1;

FIG. 5 is a rear elevation view of the surgical cassette of FIG. 1;

FIG. 6 is a front elevation view of the surgical cassette of FIG. 1; and,

FIG. 7 is a bottom plan view of the surgical cassette of FIG. 1.

The broken lines shown in FIGS. 1 to 7 depict portions of the surgical cassette that form no part of the claimed design.

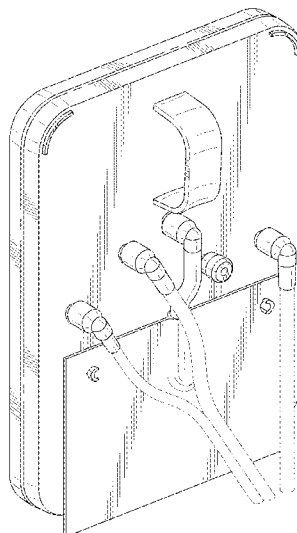
(56) **References Cited**

U.S. PATENT DOCUMENTS

4,634,004 A * 1/1987 Mortensen B29C 66/54
D331,799 S * 12/1992 Kramer D24/111
D350,822 S * 9/1994 Lanigan D24/111
5,899,674 A * 5/1999 Jung A61M 1/0058
417/477.2

(Continued)

1 Claim, 5 Drawing Sheets



(56)

References Cited

U.S. PATENT DOCUMENTS

D434,150 S * 11/2000 Tumey D24/111
 D482,370 S * 11/2003 Niwatsukino D15/7
 6,742,992 B2 * 6/2004 Davis A61M 5/16854
 417/474
 D557,803 S * 12/2007 Muri D24/111
 D557,804 S * 12/2007 Muri D24/111
 D615,189 S * 5/2010 McGill D24/111
 D626,647 S * 11/2010 Amborn D24/111
 D645,974 S * 9/2011 Roos D24/227
 8,048,047 B2 * 11/2011 Domash A61M 1/0058
 604/35
 D655,810 S * 3/2012 Amborn D24/111
 8,348,879 B2 * 1/2013 Gao A61M 1/0023
 73/861.25
 D677,783 S 3/2013 Naef et al.
 D698,019 S * 1/2014 Oliveira D24/111
 D733,867 S * 7/2015 Gerg F04B 43/00
 D24/111
 D780,305 S 2/2017 Medugorac et al.
 D781,413 S 3/2017 Medugorac et al.
 D815,731 S 4/2018 Medugorac et al.
 2007/0232991 A1 * 10/2007 King A61M 1/0058
 604/30
 2008/0058727 A1 * 3/2008 Domash A61M 39/12
 604/174
 2008/0077127 A1 * 3/2008 Gao A61M 3/0237
 600/561
 2008/0097284 A1 * 4/2008 Gao A61M 1/0023
 604/30
 2010/0125257 A1 * 5/2010 Perkins A61M 1/7415
 604/319

FOREIGN PATENT DOCUMENTS

GB 9007831136-0002 * 4/2020
 GB 9007831136-0003 * 4/2020
 GB 9007831136-0004 * 4/2020
 JP D1670256 * 10/2020
 JP D1670257 * 10/2020

OTHER PUBLICATIONS

How to use the Surgical Cassette, Jun. 26, 2020, youtube.com
 [online], [site visited May 19, 2022], Available from internet:
 <<https://www.youtube.com/watch?v=rweE5CLR8Pk>> (Year: 2020).
 Alcon Constellation Cassette, Feb. 13, 2019, youtube.com [online],
 [site visited May 19, 2022], Available from internet: <<https://www.youtube.com/watch?v=yclNQYr3i2Y>> (Year: 2019).
 U.S. Appl. No. 29/755,704, filed Oct. 22, 2020, Carl Zeiss Meditec
 AG, Steffen Kibbel Andreas Werner Christoph Kuebler Peter Eichert.
 U.S. Appl. No. 29/755,711, filed Oct. 22, 2020, Carl Zeiss Meditec
 AG, Steffen Kibbel Andreas Werner Christoph Kuebler Peter Eichert.
 U.S. Appl. No. 29/755,712, filed Oct. 22, 2020, Carl Zeiss Meditec
 AG, Steffen Kibbel Andreas Werner Christoph Kuebler Peter Eichert.

* cited by examiner

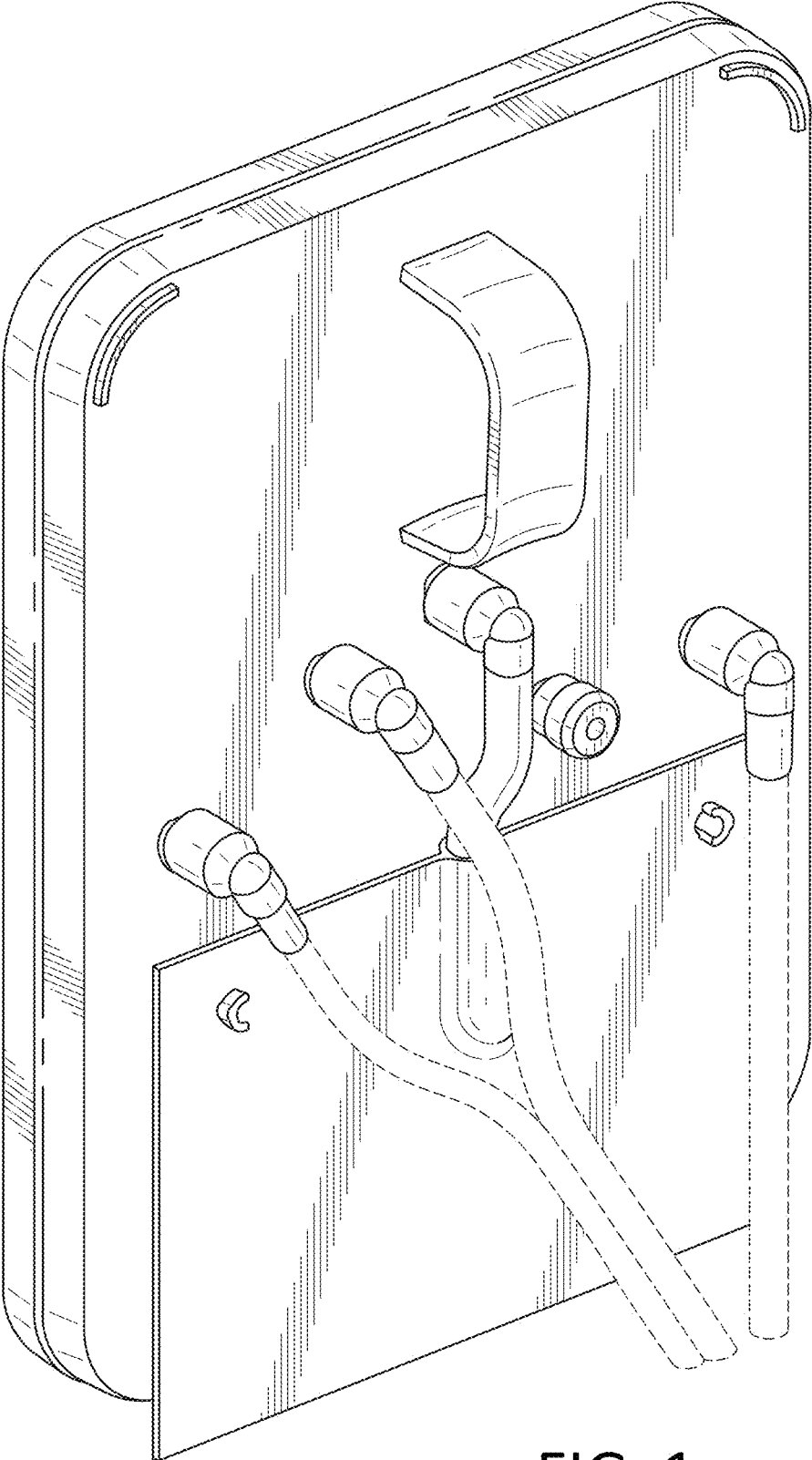


FIG. 1

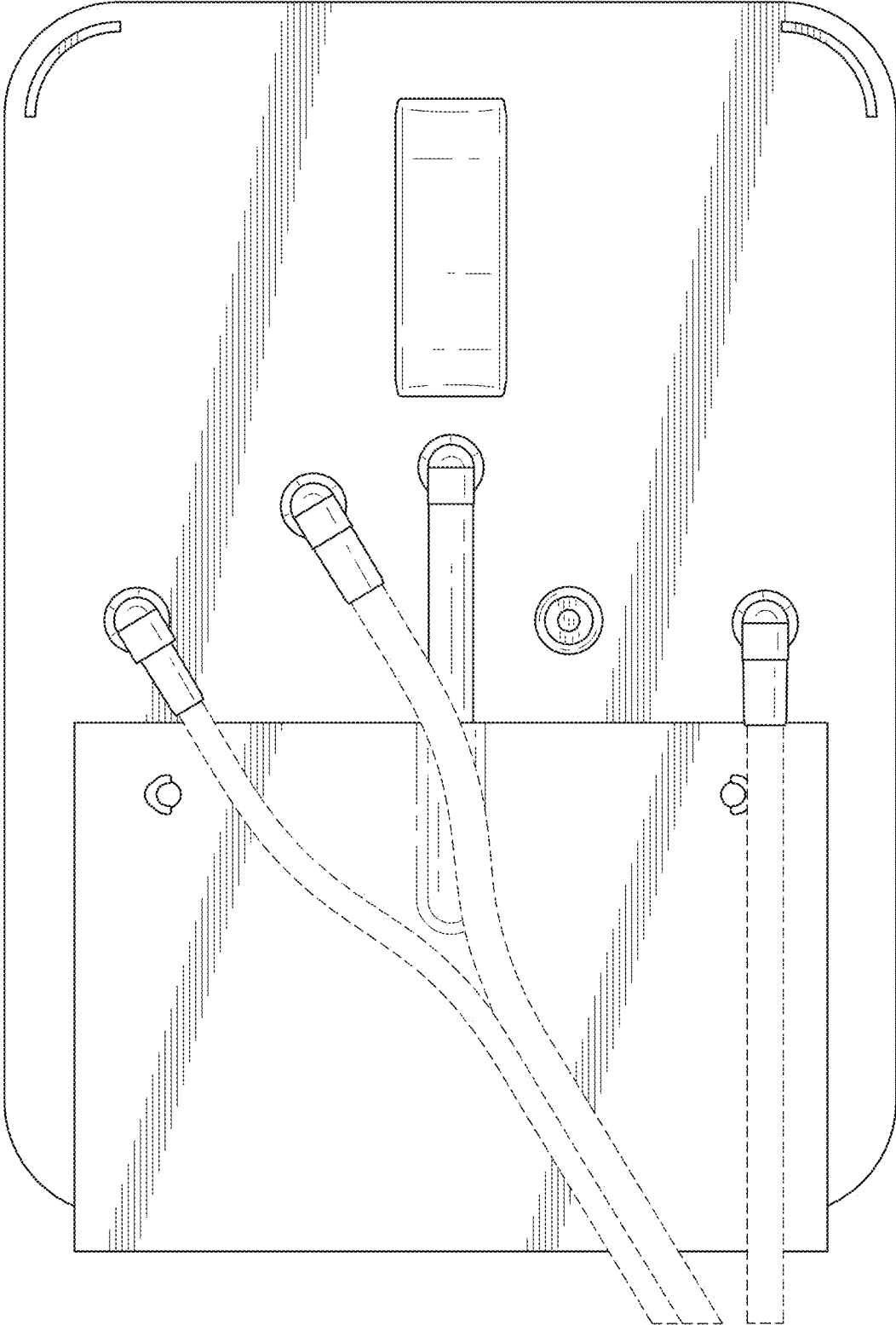


FIG. 2

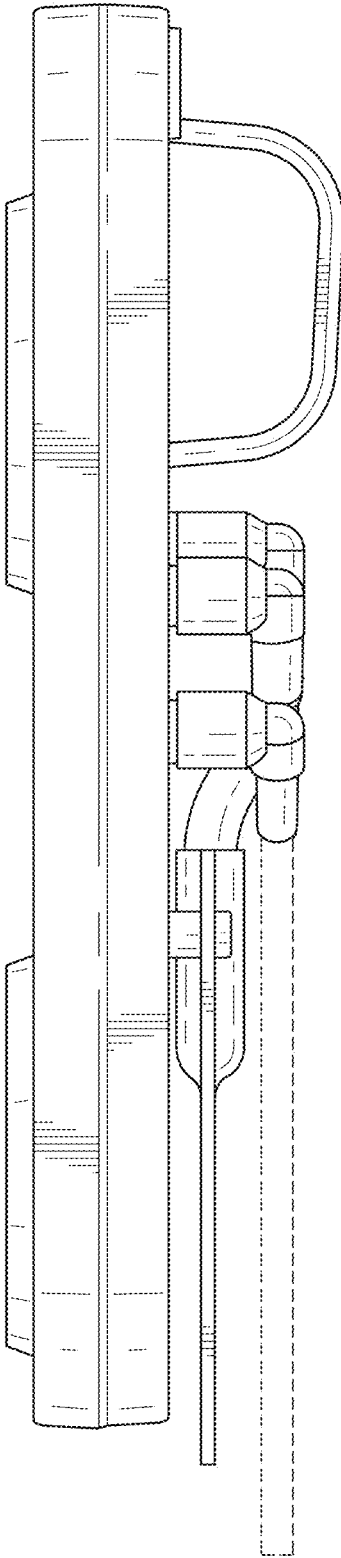


FIG. 3

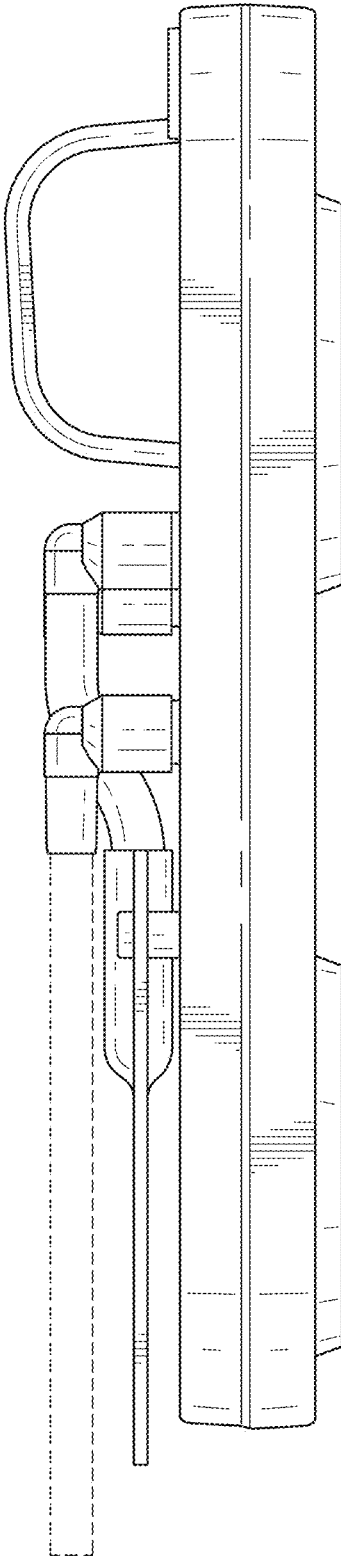


FIG. 4

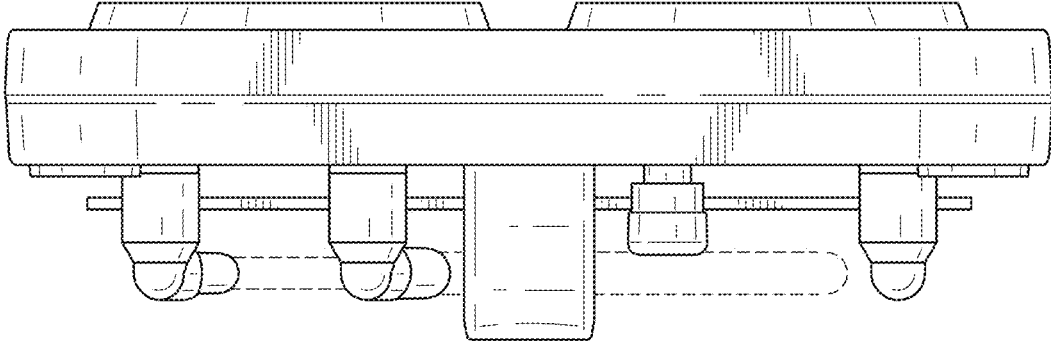


FIG. 5

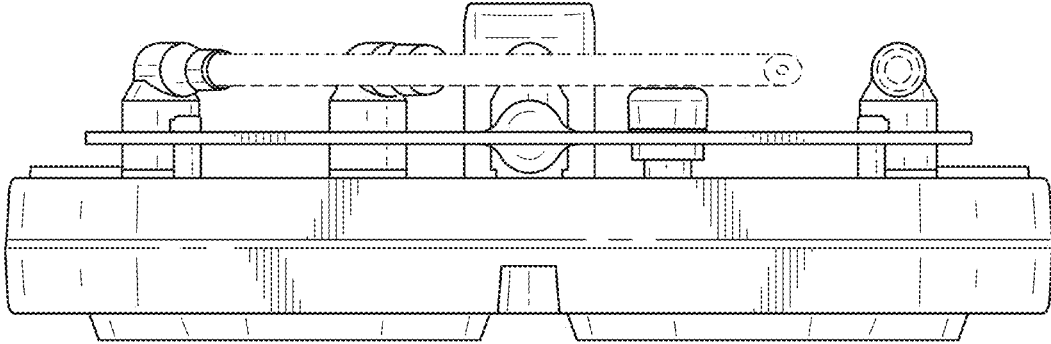


FIG. 6

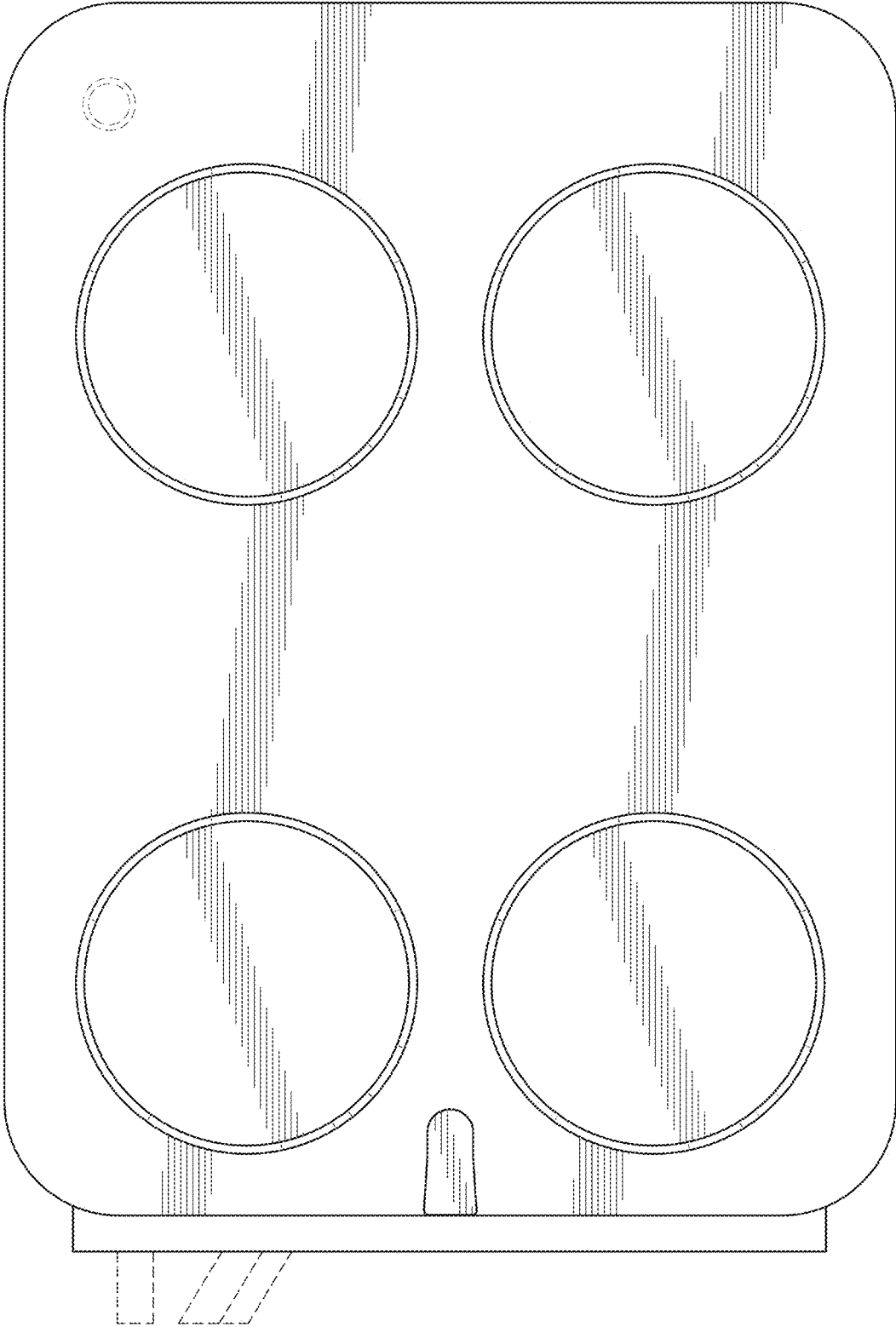


FIG. 7