



US00D801830S

(12) **United States Design Patent**
Zhang et al.

(10) **Patent No.:** **US D801,830 S**

(45) **Date of Patent:** **** Nov. 7, 2017**

- (54) **LIQUID DISPENSER**
- (71) Applicant: **Adhezion Biomedical, LLC**,
Wyomissing, PA (US)
- (72) Inventors: **Sheng Zhang**, Hickory, NC (US);
Rafael Ruiz, Sr., Hudson, NC (US);
Amanda Guido, Granite Falls, NC (US)
- (73) Assignee: **Adhezion Biomedical, LLC**,
Wyomissing, PA (US)
- (**) Term: **15 Years**
- (21) Appl. No.: **29/565,319**
- (22) Filed: **May 19, 2016**
- (51) **LOC (10) Cl.** **09-01**
- (52) **U.S. Cl.** **D9/724**
USPC **D9/724**
- (58) **Field of Classification Search**
USPC D9/523, 548, 549, 572, 573, 723, 724,
D9/726; D24/112, 115, 130; D28/7, 9,
D28/73, 76, 85; 206/385, 438, 823;
222/206, 212, 213, 215; 604/295;
606/204.25
CPC A45D 34/04; A45D 34/042; A45D 40/00;
A45D 40/26; A45D 40/262; B65D 1/023;
B65D 47/18; B65D 41/02; B65D 2203/00
See application file for complete search history.

D246,380 S	11/1977	Boothby	
D293,821 S	1/1988	Vaillancourt	
D326,223 S *	5/1992	Dova	D9/452
D335,256 S *	5/1993	Slavin	D9/724
5,242,091 A *	9/1993	Ishida	B05C 17/00579 222/386
5,527,306 A *	6/1996	Haining	A61J 1/2096 604/411
D373,827 S	9/1996	Polaniec	
D436,661 S	1/2001	Berry	
D438,789 S *	3/2001	Choe	D28/20
D471,797 S *	3/2003	Guerrera	D9/724
D472,317 S *	3/2003	Farris	D24/112
D565,192 S	3/2008	Tajjima	
D601,908 S *	10/2009	Yun	D9/724
D622,000 S *	8/2010	Kluge	D24/146
D758,579 S	6/2016	Keckstein	

* cited by examiner

Primary Examiner — Derrick Holland
Assistant Examiner — Janice Lim
 (74) *Attorney, Agent, or Firm* — Stradley Ronon Stevens & Young, LLP

(57) **CLAIM**

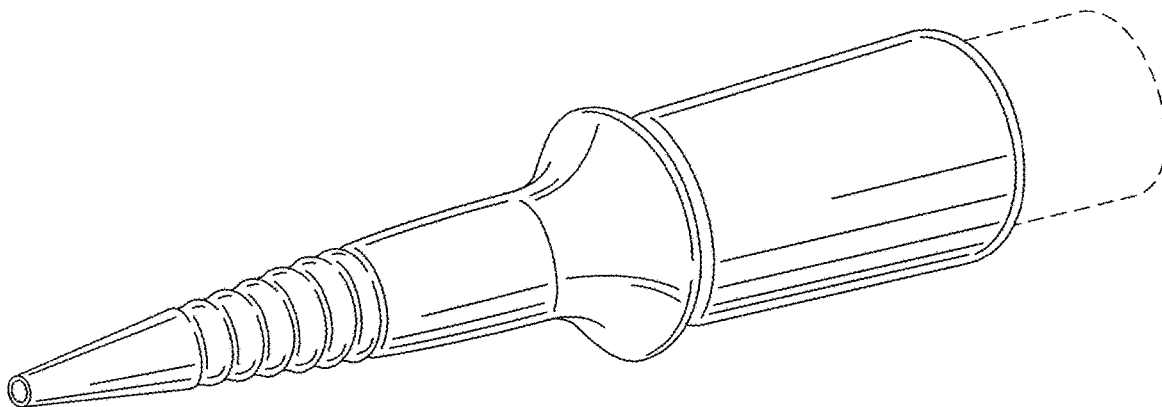
The ornamental design for a liquid dispenser, substantially as shown and described.

DESCRIPTION

FIG. 1 is a perspective view of a liquid dispenser, showing our new design;
 FIG. 2 is a top, bottom, and sides of the liquid dispenser of FIG. 1;
 FIG. 3 is a front view of the liquid dispenser of FIG. 1; and,
 FIG. 4 is a rear view of the liquid dispenser.
 The broken lines in the figures illustrate the portions of the design that form no part of the claimed design.

1 Claim, 2 Drawing Sheets

- (56) **References Cited**
U.S. PATENT DOCUMENTS
1,403,637 A * 1/1922 Rhodes F16N 3/04
215/228
D148,047 S * 12/1947 Burger D9/552



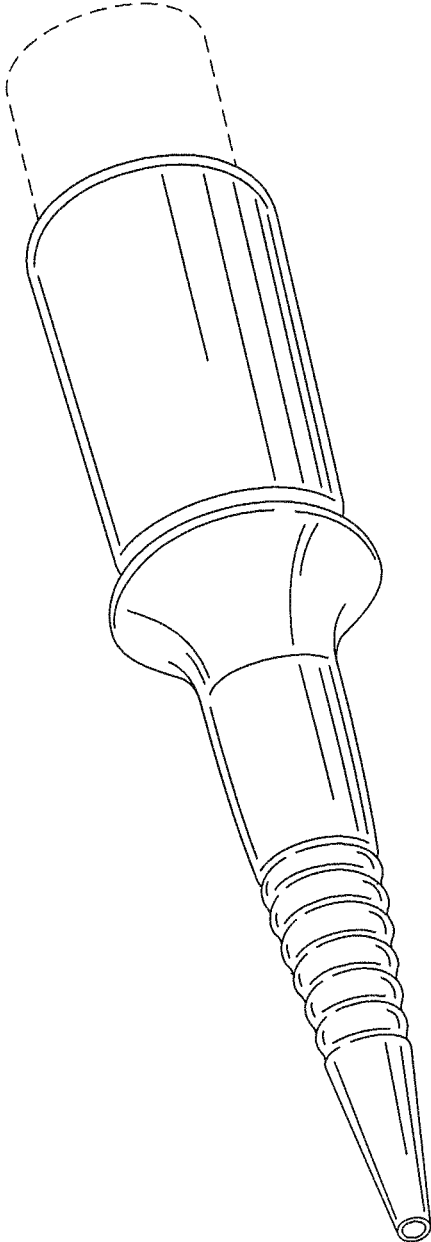


FIG. 1

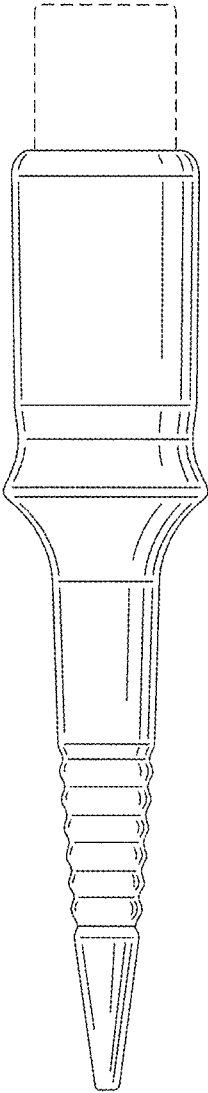


FIG. 2

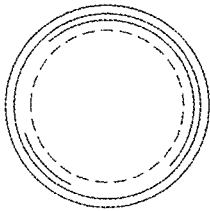


FIG. 4

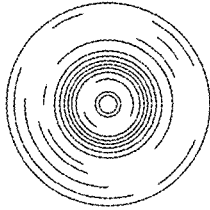


FIG. 3