



US00D882305S

(12) **United States Design Patent**
Reifert

(10) **Patent No.:** **US D882,305 S**
(45) **Date of Patent:** **** Apr. 28, 2020**

- (54) **SELF-STANDING MERCHANDISE FRAME**
- (71) Applicant: **Kyle Reifert**, Muscatine, IA (US)
- (72) Inventor: **Kyle Reifert**, Muscatine, IA (US)
- (**) Term: **15 Years**
- (21) Appl. No.: **29/707,881**
- (22) Filed: **Oct. 1, 2019**

4,068,855	A *	1/1978	Hackett	A47F 5/13
					211/189
4,106,736	A *	8/1978	Becker, III	A47F 5/01
					211/103
4,126,288	A *	11/1978	De Sisto	A47F 5/13
					211/182
D253,323	S *	11/1979	Blatzer	D6/310
D267,683	S *	1/1983	Kates	D6/682.6
4,403,554	A *	9/1983	Valentine	A47F 5/10
					108/180
D279,057	S *	6/1985	Bolduc	D6/673
D291,164	S *	8/1987	Luyk	D6/681.2
D296,160	S *	6/1988	Rhodes	D6/300
D300,485	S *	4/1989	Scholl	D6/681.1
4,819,899	A *	4/1989	Weil	A47F 5/01
					211/133.2
4,932,540	A *	6/1990	Pfeifer	A47F 5/04
					211/193
D309,388	S *	7/1990	Yau Kee	D6/300
					(Continued)

Related U.S. Application Data

- (63) Continuation of application No. 16/397,734, filed on Apr. 29, 2019.
- (51) **LOC (12) Cl.** **20-02**
- (52) **U.S. Cl.**
USPC **D6/672**
- (58) **Field of Classification Search**
USPC D6/300, 672, 673, 681, 681.1, 681.2, D6/681.3, 682, 682.2, 682.4, 682.5, D6/682.6, 700, 701; D32/58
CPC .. A47F 5/01; A47F 5/0031; A47F 5/10; A47F 5/13; A47F 5/08; A47F 5/0081; A47F 1/00
See application file for complete search history.

Primary Examiner — Eric L Goodman
Assistant Examiner — Steven J Czyn
 (74) *Attorney, Agent, or Firm* — Hamilton IP Law, PC;
 Jay R. Hamilton; Charles A. Damschen

(57) **CLAIM**

The ornamental design for a self-standing merchandise frame, as shown and described.

DESCRIPTION

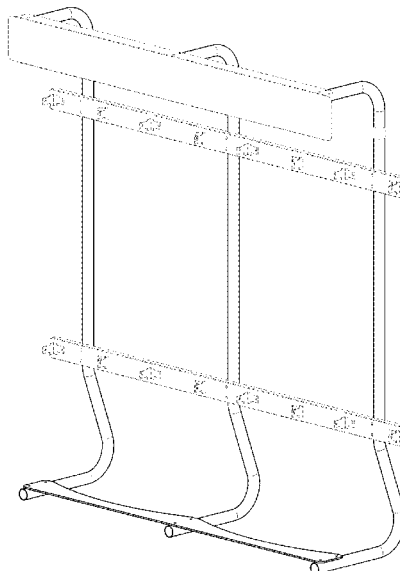
FIG. 1 is a top perspective view showing a self-standing merchandise frame;
 FIG. 2 is a front view thereof;
 FIG. 3 is a back view thereof;
 FIG. 4 is a right side view thereof;
 FIG. 5 is a left side view thereof;
 FIG. 6 is a top side view thereof; and,
 FIG. 7 is a bottom side view thereof.
 The broken lines in the Figures are for illustrative purposes only and form no part of the claimed design.

1 Claim, 7 Drawing Sheets

(56) **References Cited**

U.S. PATENT DOCUMENTS

2,495,109	A *	1/1950	Kramer	A47F 5/12
					211/85.3
D199,342	S *	10/1964	Durham et al.	D6/672
3,172,539	A *	3/1965	Rulf	A47F 5/0876
					211/59.1
3,532,224	A *	10/1970	Grubb	A47F 5/13
					211/206
3,693,808	A *	9/1972	Rauch	A47F 5/13
					211/195
4,037,851	A *	7/1977	Romero	A47F 5/13
					280/79.3



(56)

References Cited

U.S. PATENT DOCUMENTS

4,960,214 A * 10/1990 Sayers A47F 5/01
211/133.2

5,031,783 A * 7/1991 Goudreau A47F 5/083
211/106

5,439,122 A * 8/1995 Ramsay A47F 5/0081
211/128.1

5,582,302 A * 12/1996 Kozak A47F 5/0031
211/181.1

D402,821 S * 12/1998 Kozak D6/673

D422,163 S * 4/2000 Pendergrast D6/672

6,089,387 A * 7/2000 Varfolomeeva A47B 57/06
211/106

D500,416 S * 1/2005 Sparkowski D6/672

D559,577 S * 1/2008 Quinn D6/300

D595,977 S * 7/2009 Stebbens D6/681.2

7,571,821 B2 * 8/2009 Noble Colin A47F 5/12
211/90.03

D612,169 S * 3/2010 Chang D6/656.13

D626,355 S * 11/2010 Liang D34/5

D640,485 S * 6/2011 Dugger D6/681.1

D726,421 S * 4/2015 Rue D6/300

D729,553 S * 5/2015 Trinh D6/681

D734,079 S * 7/2015 Roth D6/656.13

D785,381 S * 5/2017 Johnson D6/681

10,021,996 B2 * 7/2018 Cantwell A47F 7/163

10,058,172 B2 * 8/2018 Staib A47F 5/13

D838,127 S * 1/2019 Theodoroff D6/672

D841,374 S * 2/2019 Felsenthal D6/681

D862,946 S * 10/2019 Hyland D6/672

2002/0027115 A1 * 3/2002 Gay A47B 57/045
211/187

2002/0033373 A1 * 3/2002 Robertson A47F 1/12
211/59.2

* cited by examiner

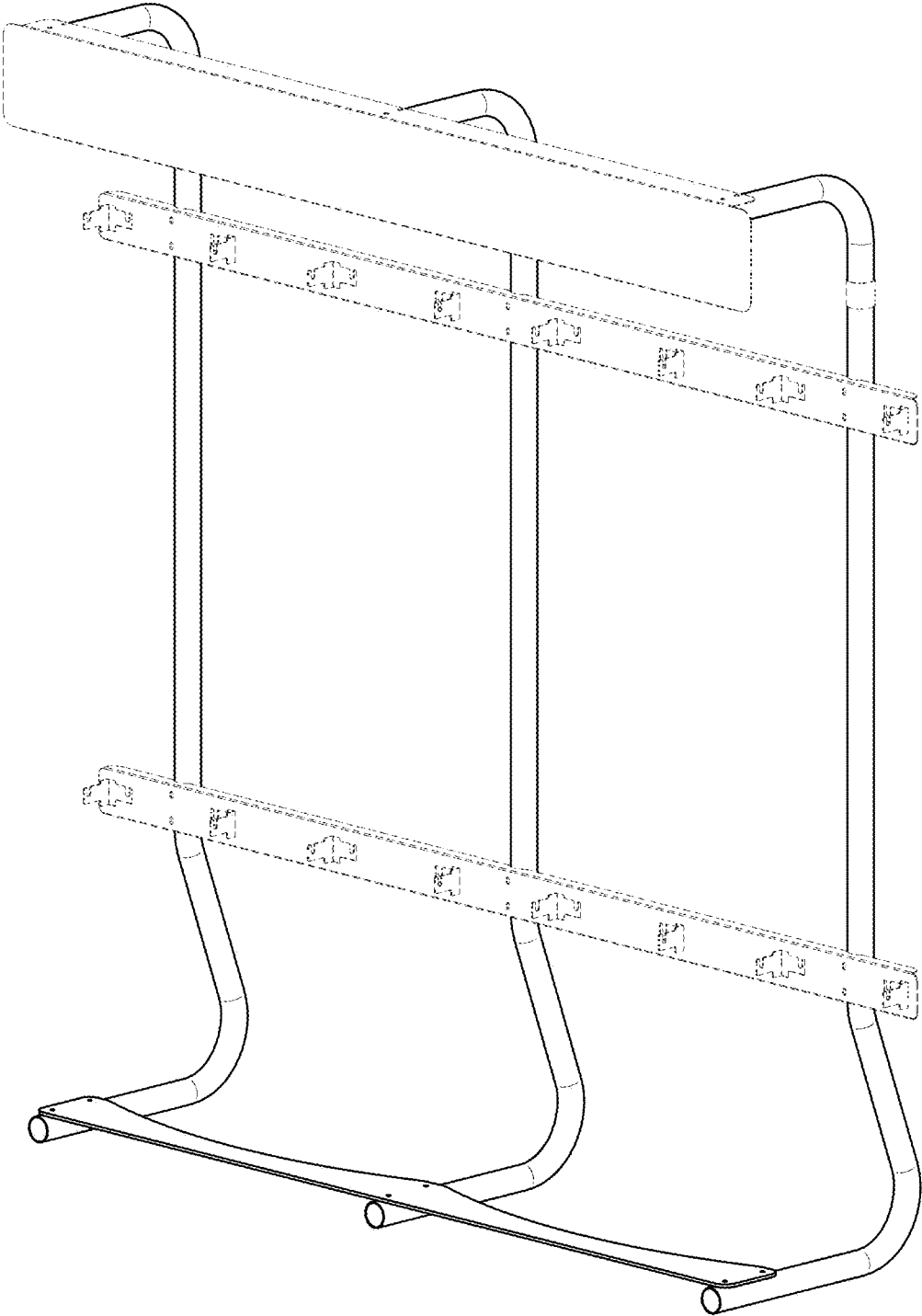


FIG. 1

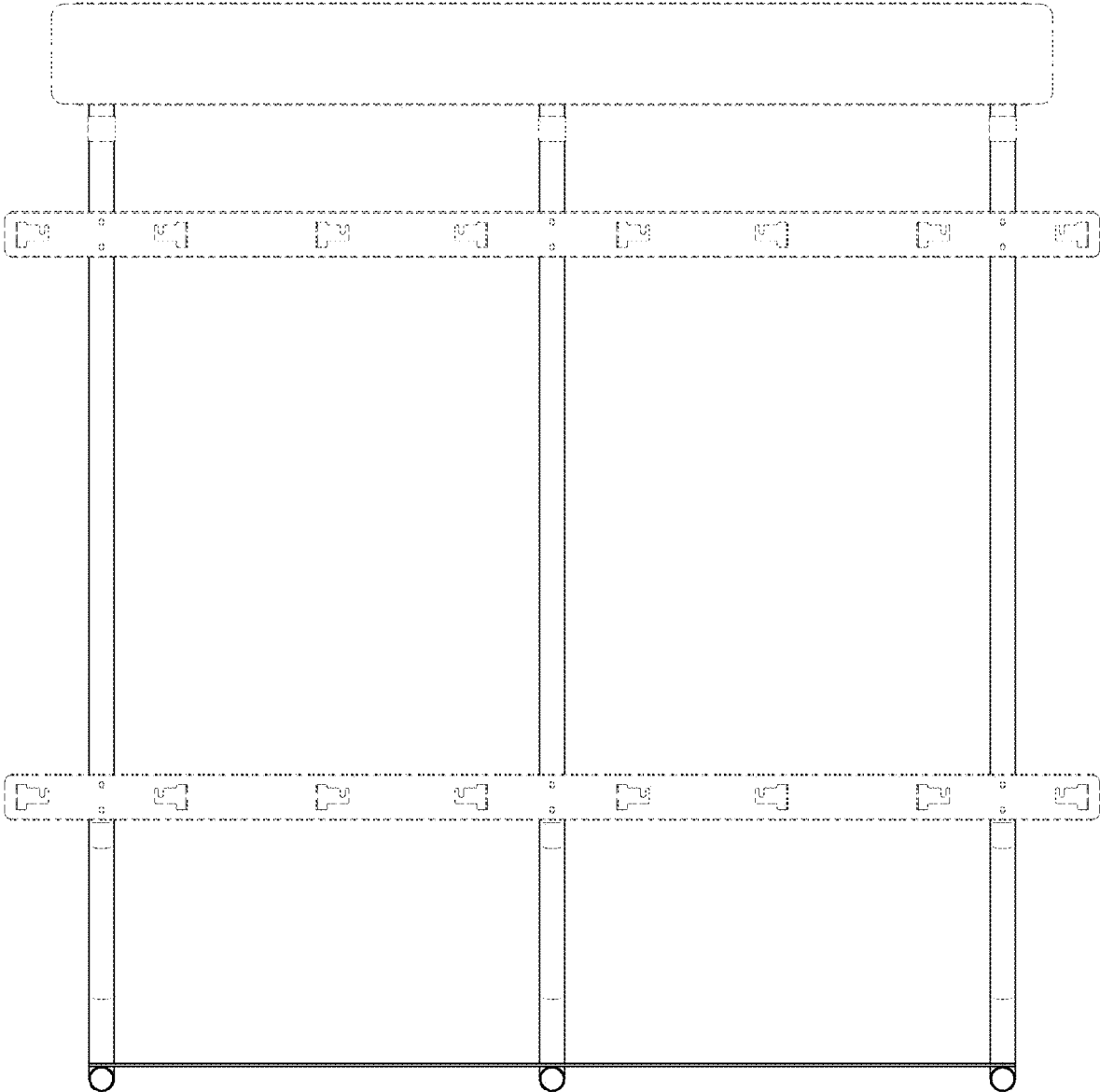


FIG. 2

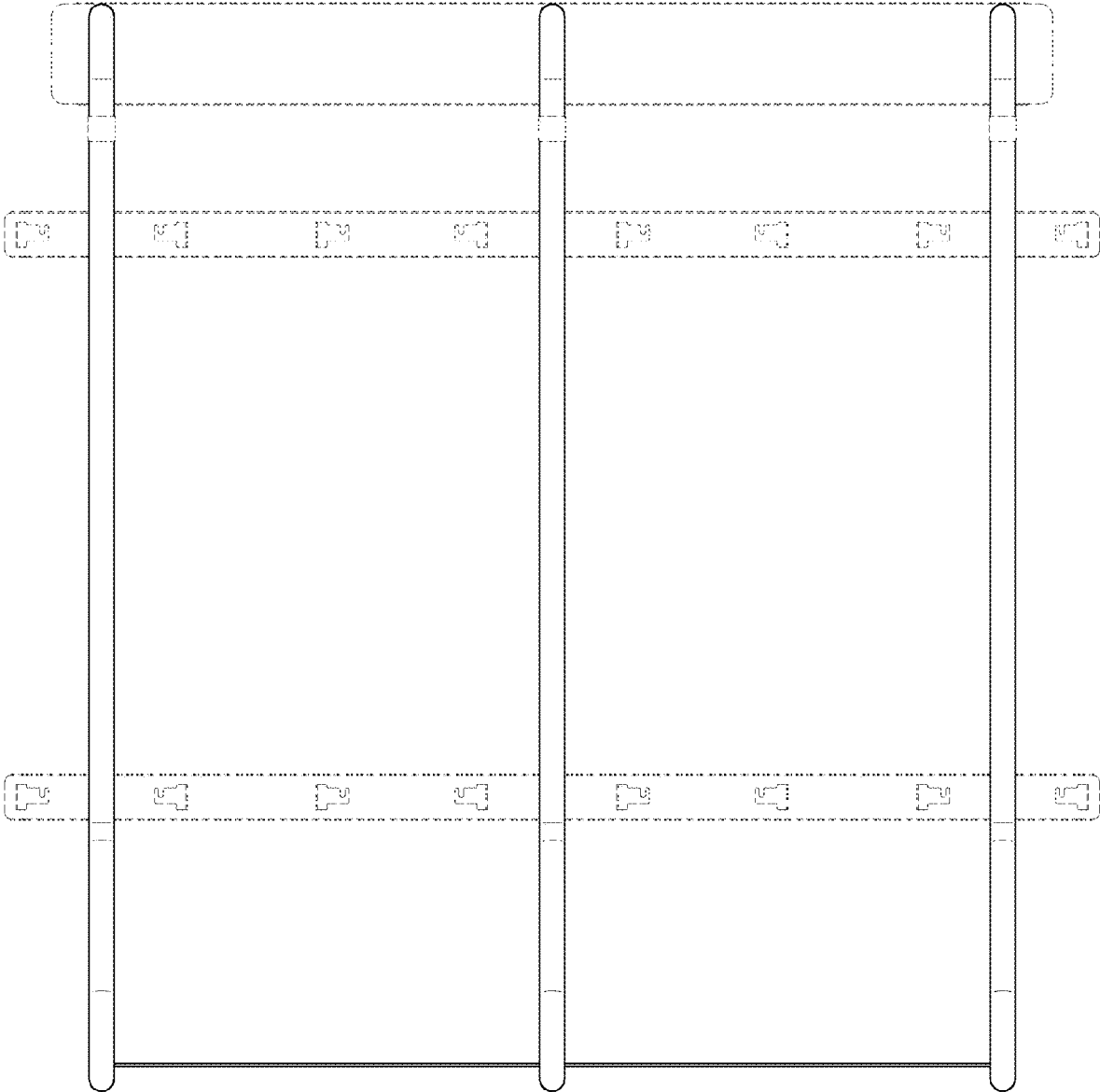


FIG. 3

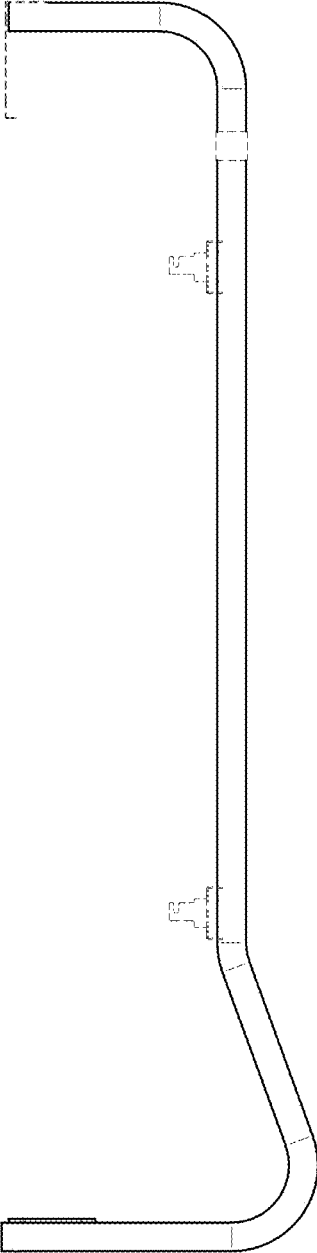


FIG. 4

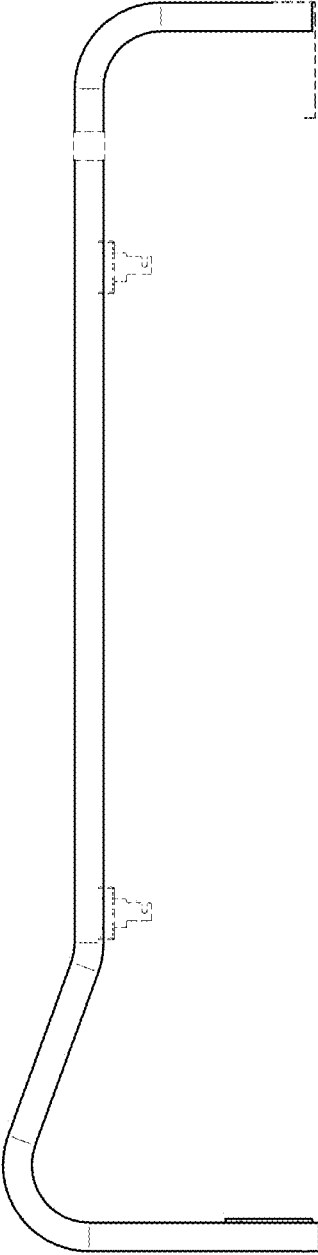


FIG. 5

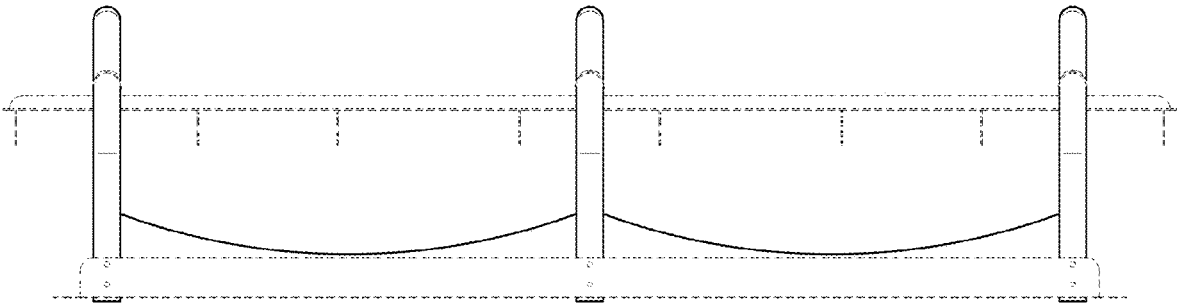


FIG. 6

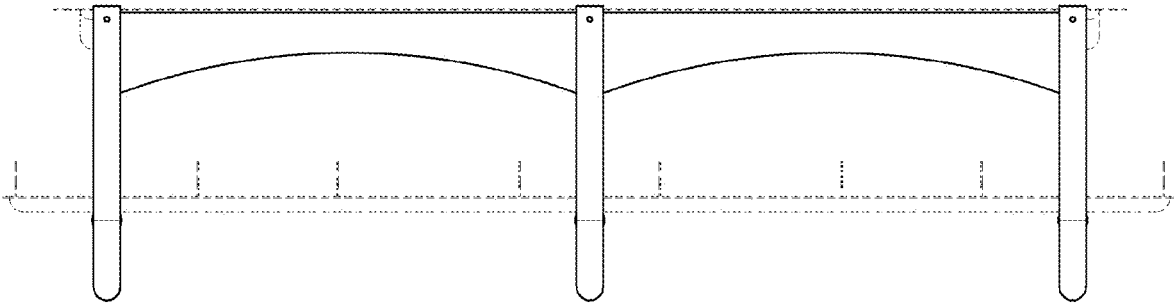


FIG. 7