



US00D378263S

United States Patent [19]
Lage

[11] **Patent Number:** **Des. 378,263**
[45] **Date of Patent:** ****Mar. 4, 1997**

- [54] **BEVERAGE MUG WITH SURFACE PATTERN**
- [75] Inventor: **David P. Lage**, St. Louis County, Mo.
- [73] Assignee: **Quick Point, Inc.**, Fenton, Mo.
- [**] Term: **14 Years**
- [21] Appl. No.: **40,856**
- [22] Filed: **Jun. 29, 1995**
- [52] **U.S. Cl.** **D7/536; D7/515**
- [58] **Field of Search** **D7/505, 507, 509, 510, 511, 514, 515, 529, 523, 532, 533, 534, 535, 536, 516, 623; 215/387, 396**

Quick Point Catalog, 1994, Title page and pp. 4-19.

Primary Examiner—M. N. Pandozzi
Attorney, Agent, or Firm—Polster, Lieder, Woodruff & Lucchesi, L.C.

[57] **CLAIM**

The ornamental design for a beverage mug with surface pattern, as shown and described.

DESCRIPTION

FIG. 1 is a top and front perspective view showing the beverage mug with surface pattern of the new design;
 FIG. 2 is a front elevational view thereof;
 FIG. 3 is a rear elevational view thereof;
 FIG. 4 is a right side elevational view thereof;
 FIG. 5 is a left side elevational view thereof;
 FIG. 6 is a top plan view thereof;
 FIG. 7 is a bottom plan view thereof;
 FIG. 8 is a sectional view taken along line 8—8 of FIG. 2, at an enlarged scale;
 FIG. 9 is a sectional view taken along line 9—9 of FIG. 2, at an enlarged scale; and,
 FIG. 10 is a sectional view taken along line 10—10 of FIG. 2, at an enlarged scale.

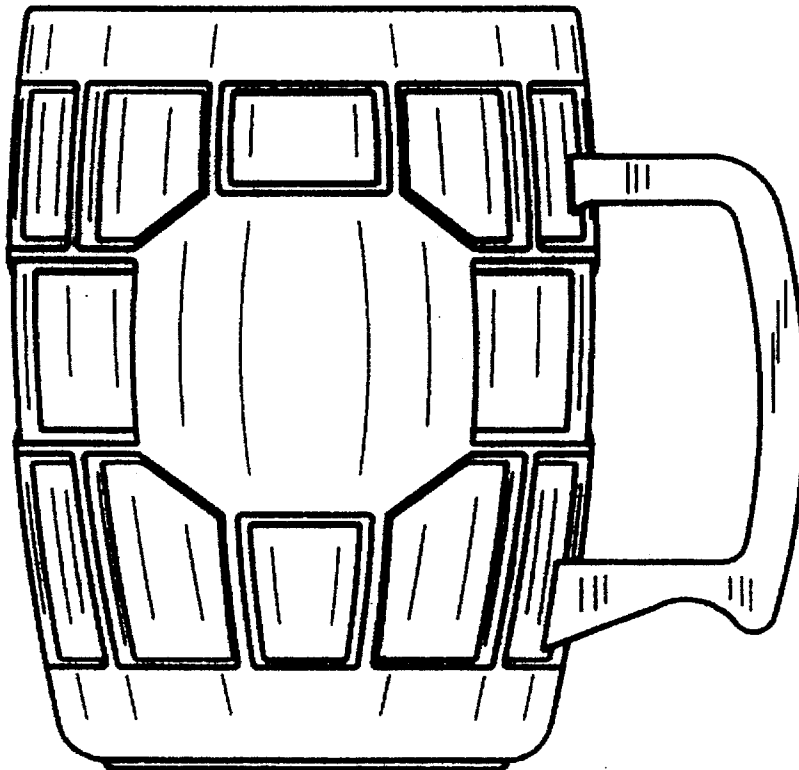
[56] **References Cited**
U.S. PATENT DOCUMENTS

D. 7,342	3/1874	Bakewell	D7/515
D. 19,694	3/1890	Proeger	D7/507
D. 247,601	3/1978	Schreckengost	D7/536
D. 307,089	4/1990	Lage	D7/536
D. 356,925	4/1995	Wonder	D7/536
2,299,730	10/1942	Bornstein	D7/536 X

OTHER PUBLICATIONS

- Mug #1639 Capped, Monongah Glass Co. Catalog Apr. 1st, 1970, p. 88.
- Mug #3585, Monongah Glass Co. Catalog Apr. 1st, 1920 p. 67.

1 Claim, 3 Drawing Sheets



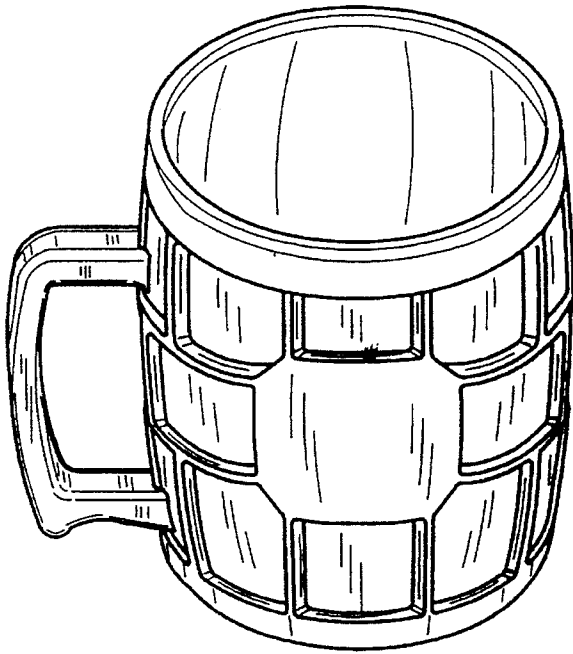


FIG. 1

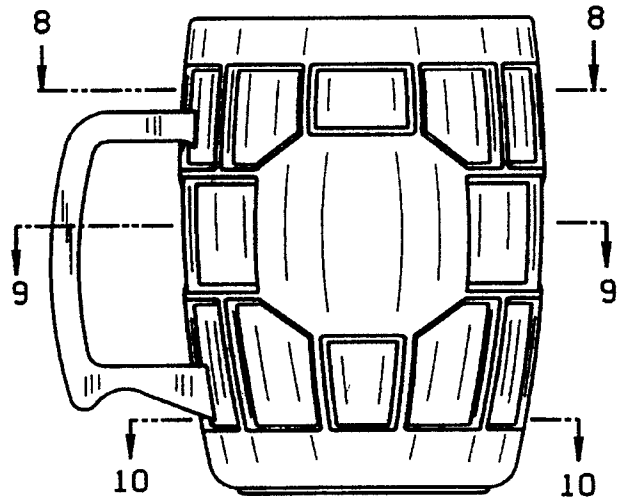


FIG. 2

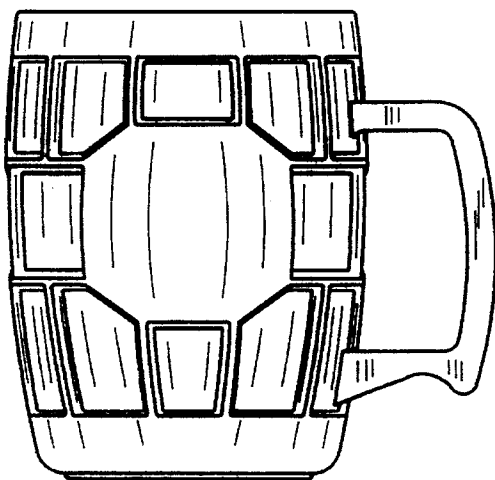


FIG. 3

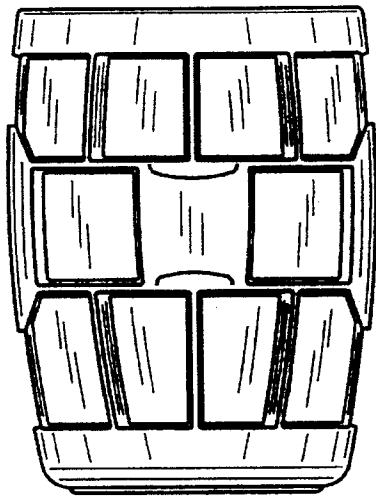


FIG. 4

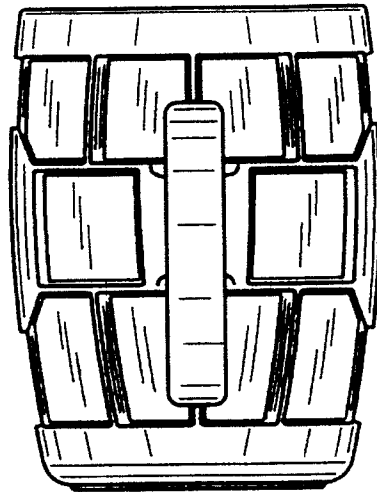


FIG. 5

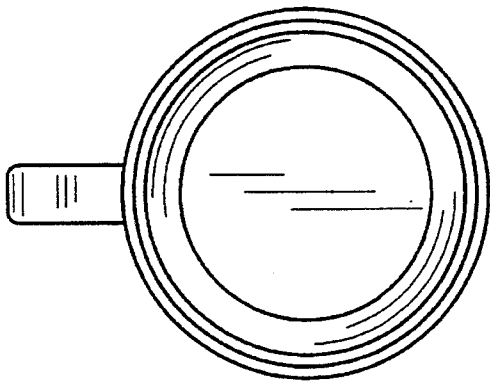


FIG. 6

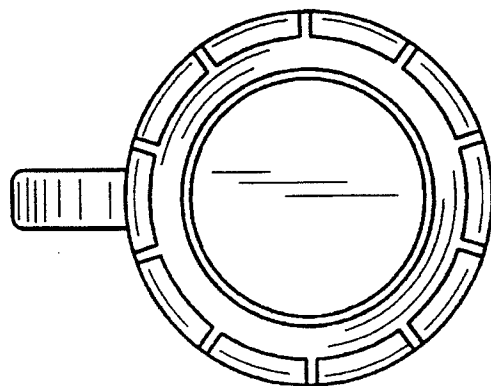


FIG. 7

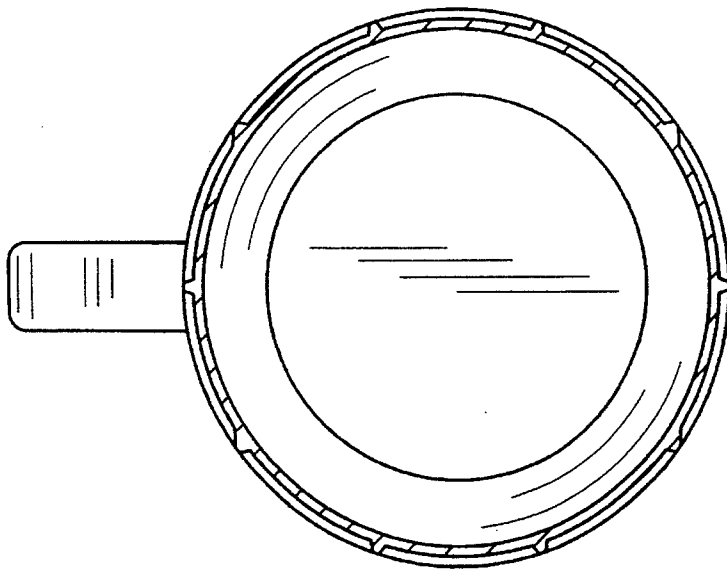


FIG. 8

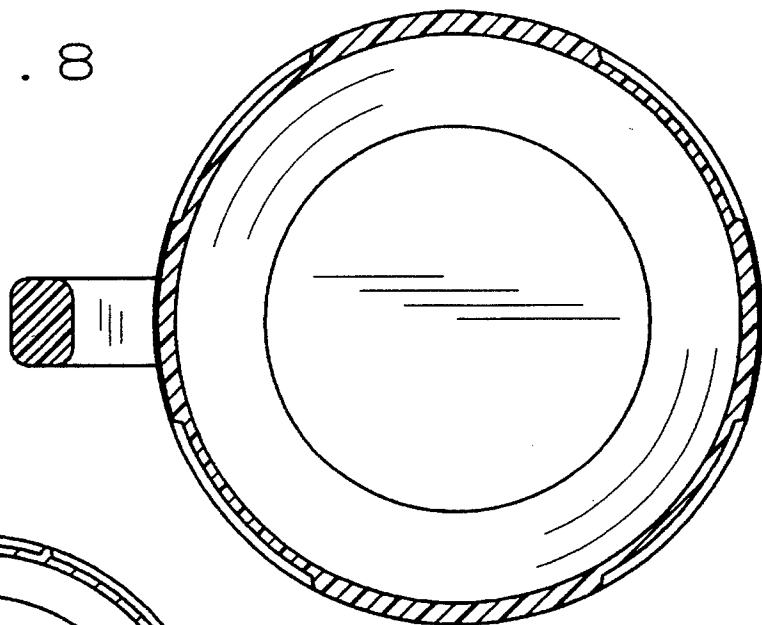


FIG. 9

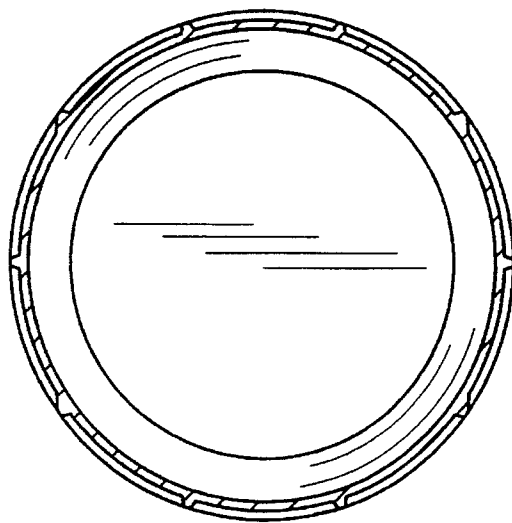


FIG. 10