



US00D838158S

(12) **United States Design Patent**  
**Wu**

(10) **Patent No.:** **US D838,158 S**

(45) **Date of Patent:** **\*\* Jan. 15, 2019**

- (54) **KNIFE SHARPENER**
- (71) Applicant: **Shih-Piao Wu**, Changhua (TW)
- (72) Inventor: **Shih-Piao Wu**, Changhua (TW)
- (73) Assignee: **Jiin Haur Industrial Co. Ltd.**,  
Changhua (TW)
- (\*\*) Term: **15 Years**
- (21) Appl. No.: **29/571,371**
- (22) Filed: **Jul. 18, 2016**
- (51) **LOC (11) Cl.** ..... **08-05**
- (52) **U.S. Cl.**  
USPC ..... **D8/93**
- (58) **Field of Classification Search**  
USPC ..... D7/395; D8/14, 62-63, 71, 90-94, 98,  
D8/99, 105, 107; D22/118  
CPC ..... B24B 3/54; B24B 3/546; B24D 15/065;  
B24D 15/08; B24D 15/081; B24D 15/082  
See application file for complete search history.

D491,783 S *	6/2004	Ikegaki .....	D8/63
7,153,200 B1 *	12/2006	Wu .....	B24B 41/00 451/344
D537,698 S *	3/2007	Hasegawa .....	D8/91
D541,615 S *	5/2007	Wu .....	D8/90
D568,132 S *	5/2008	Heun .....	D8/63
D604,133 S *	11/2009	Smith .....	D8/63
D618,532 S *	6/2010	Wu .....	D8/71
D673,439 S *	1/2013	Wu .....	D8/93
D679,974 S *	4/2013	Wu .....	D8/93
D703,018 S *	4/2014	Otsuka .....	D8/63
8,715,041 B2 *	5/2014	Wu .....	B24D 15/065 451/349
2011/0136412 A1 *	6/2011	Dovel .....	B24B 3/52 451/45
2012/0264358 A1 *	10/2012	Wu .....	B24D 15/065 451/344
2015/0273663 A1 *	10/2015	Wu .....	B24D 15/065 451/555
2016/0368116 A1 *	12/2016	Wu .....	B24D 15/081

\* cited by examiner

*Primary Examiner* — Philip S Hyder  
(74) *Attorney, Agent, or Firm* — Che-Yang Chen; Law  
Offices of Scott Warmuth

(56) **References Cited**

**U.S. PATENT DOCUMENTS**

D153,168 S *	3/1949	Palma, Jr. ....	D8/63
D162,121 S *	2/1951	Branick .....	241/200
D163,044 S *	4/1951	Hoek .....	451/282
D169,056 S *	3/1953	Chapin .....	D8/13
D175,067 S *	7/1955	Ernest .....	D8/63
D176,887 S *	2/1956	Schwaneke et al. ....	D8/63
D179,610 S *	1/1957	Palma, Jr. ....	D8/63
D187,543 S *	3/1960	Leman .....	D8/63
D217,425 S *	5/1970	Madl .....	D8/63
D326,986 S *	6/1992	Dressel .....	D8/63
5,189,848 A *	3/1993	Flaherty .....	B24B 3/36 451/241
D432,385 S *	10/2000	Milani .....	D8/91
D473,777 S *	4/2003	Thompson .....	D8/63

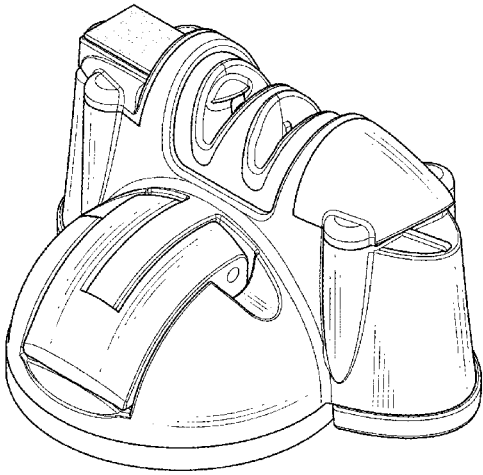
(57) **CLAIM**

The ornamental design for a knife sharpener, as shown and described.

**DESCRIPTION**

FIG. 1 is a perspective view of a knife sharpener showing my new design;  
FIG. 2 is a front elevational view thereof;  
FIG. 3 is a rear elevational view thereof;  
FIG. 4 is a left side elevational view thereof;  
FIG. 5 is a right side elevational view thereof; and,  
FIG. 6 is a top plan view thereof.

**1 Claim, 4 Drawing Sheets**



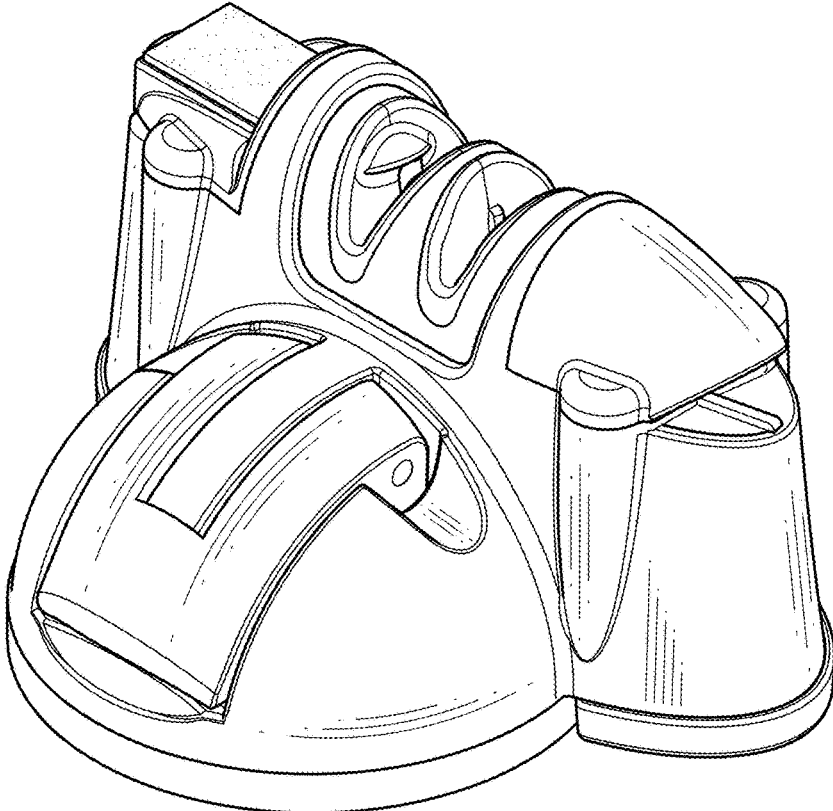


FIG. 1

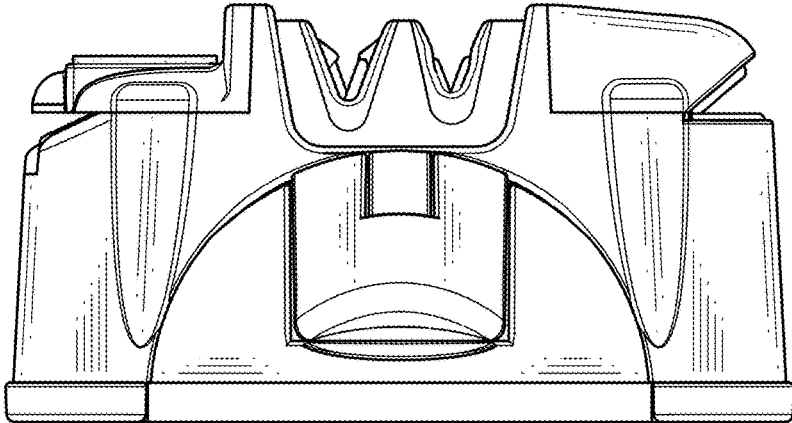


FIG. 2

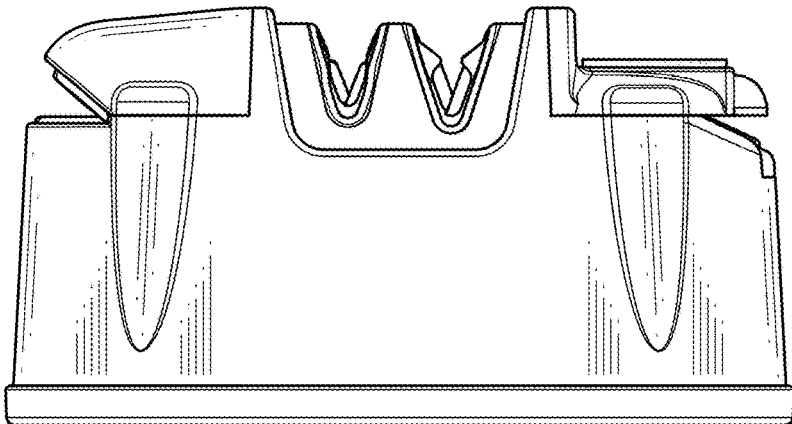


FIG. 3

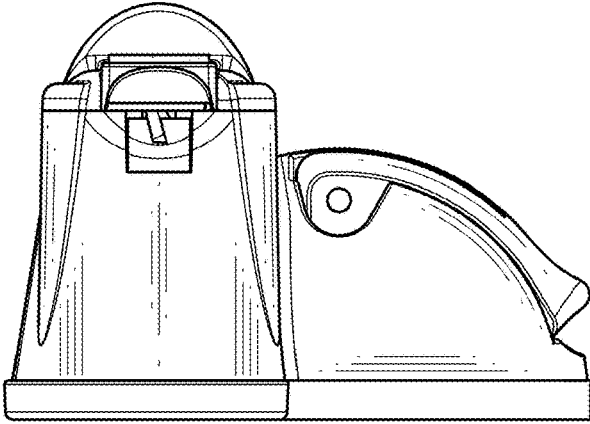


FIG. 4

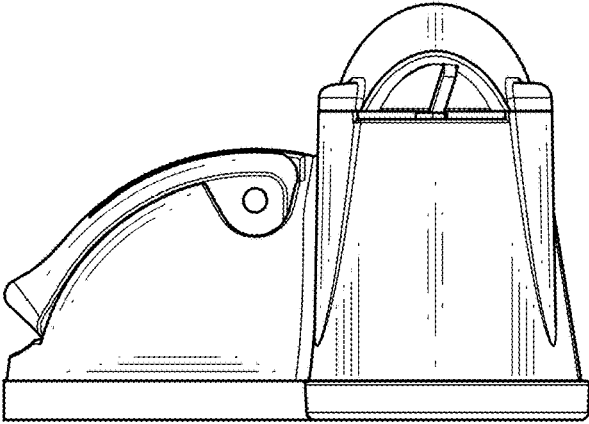


FIG. 5

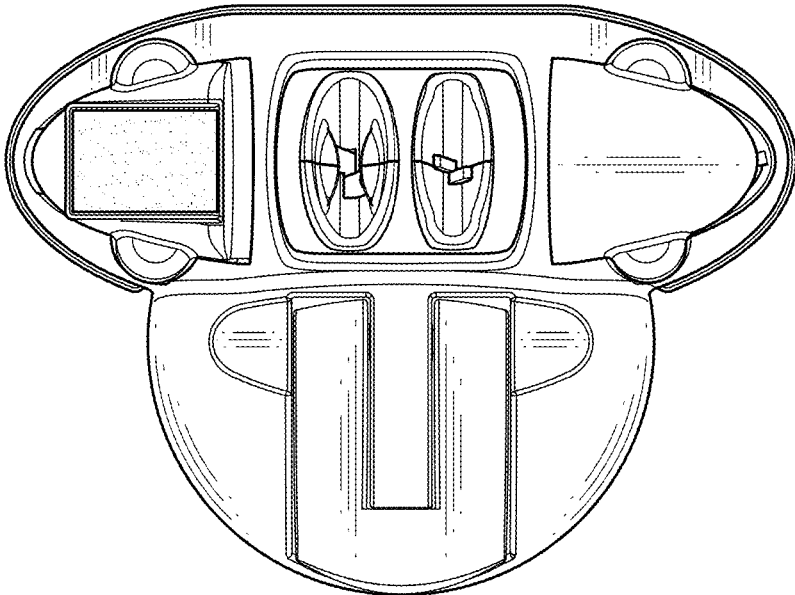


FIG. 6