



US00D718245S

(12) **United States Design Patent**
Sato

(10) **Patent No.:** **US D718,245 S**

(45) **Date of Patent:** **** Nov. 25, 2014**

(54) **ELECTRICAL CONNECTOR**

(75) Inventor: **Yukiko Sato**, Tokyo (JP)

(73) Assignee: **Japan Aviation Electronics Industry, Limited**, Tokyo (JP)

(**) Term: **14 Years**

(21) Appl. No.: **29/426,986**

(22) Filed: **Jul. 12, 2012**

(30) **Foreign Application Priority Data**

Jan. 25, 2012 (JP) 2012-001377

(51) **LOC (10) Cl.** **13-03**

(52) **U.S. Cl.**
USPC **D13/147**

(58) **Field of Classification Search**
USPC D13/147, 154, 184, 199; 439/62, 79,
439/260, 329, 395, 422, 492, 499, 608, 660
See application file for complete search history.

(56) **References Cited**

U.S. PATENT DOCUMENTS

D485,532 S * 1/2004 Lai D13/147
D505,919 S * 6/2005 Moritake D13/147
D508,023 S * 8/2005 Obikane et al. D13/147

D517,495 S * 3/2006 Fan D13/147
D627,299 S * 11/2010 Kimura et al. D13/147
D639,745 S * 6/2011 Kimura et al. D13/147

* cited by examiner

Primary Examiner — Daniel Bui
(74) *Attorney, Agent, or Firm* — Westerman, Hattori,
Daniels & Adrian, LLP

(57) **CLAIM**

The ornamental design for an electrical connector, as shown and described.

DESCRIPTION

FIG. 1 is a front elevational view of an electrical connector, showing my new design;
FIG. 2 is a rear elevational view thereof;
FIG. 3 is a right side elevational view thereof;
FIG. 4 is a left side elevational view thereof;
FIG. 5 is a top plan view thereof;
FIG. 6 is a bottom plan view thereof;
FIG. 7 is a right front perspective view showing the top thereof;
FIG. 8 a left rear perspective view showing the bottom thereof;
FIG. 9 is a right front perspective view showing the bottom thereof; and,
FIG. 10 is a left rear perspective view showing the top thereof. The broken line in the drawing is included to show unclaimed subject matter only and forms no part of the claimed design.

1 Claim, 10 Drawing Sheets

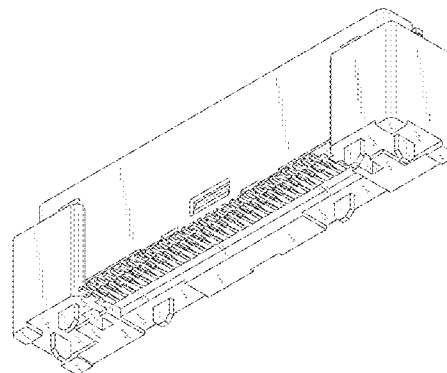
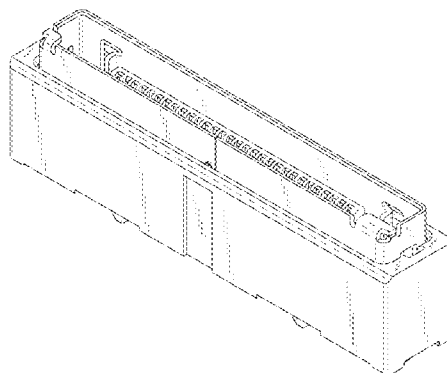


FIG.1

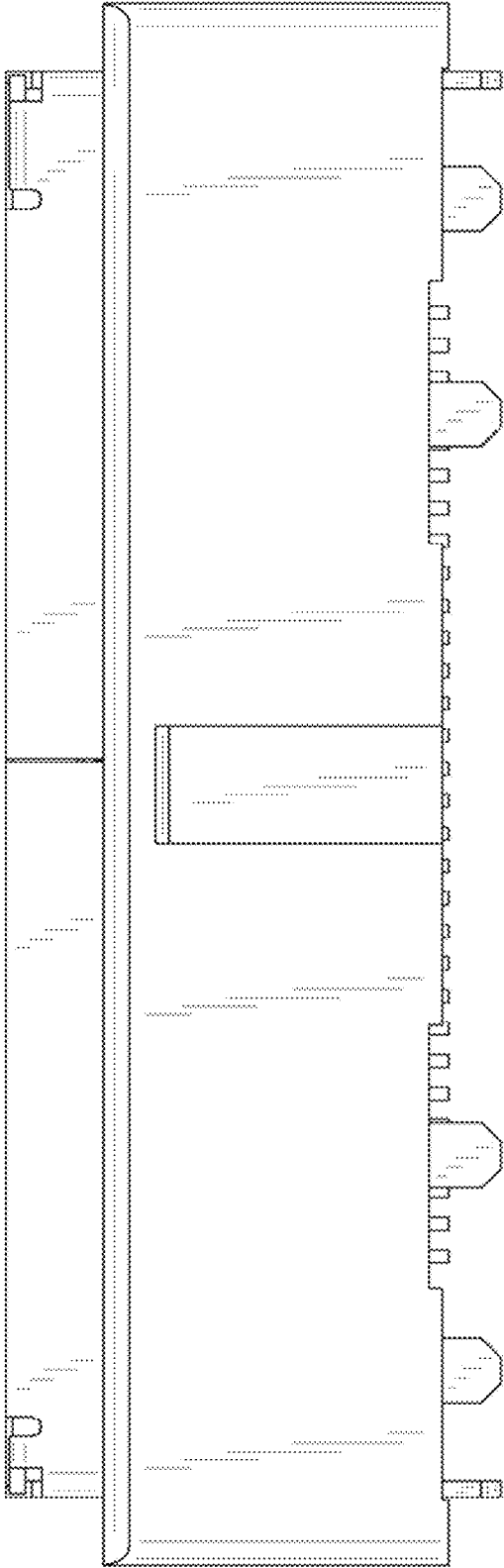


FIG.2

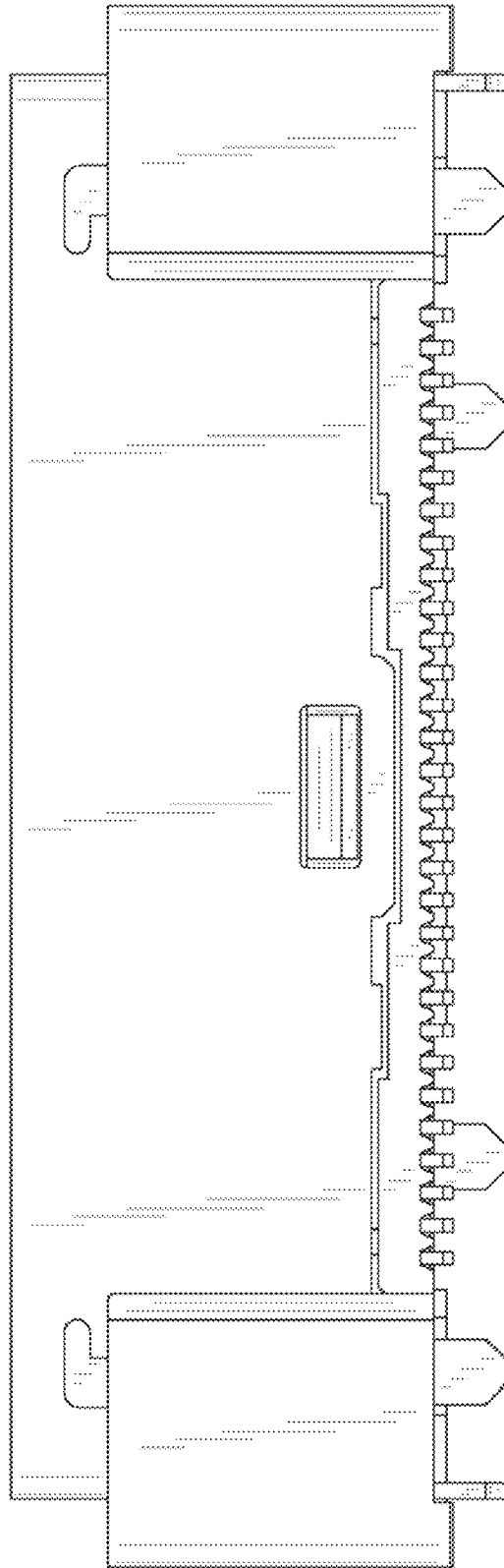


FIG. 3

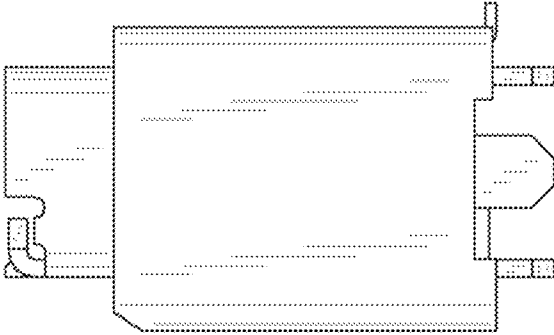


FIG.4

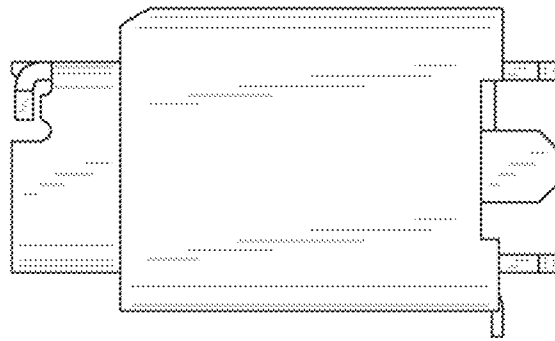


FIG.5

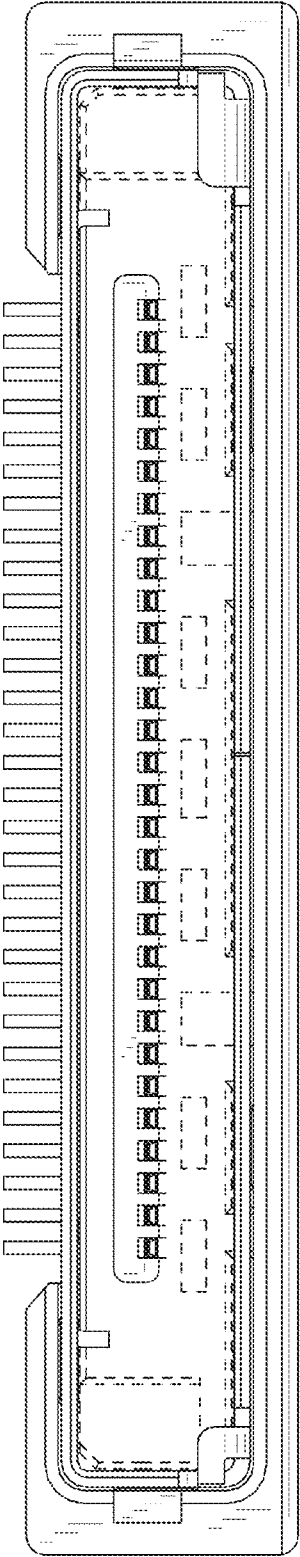


FIG. 6

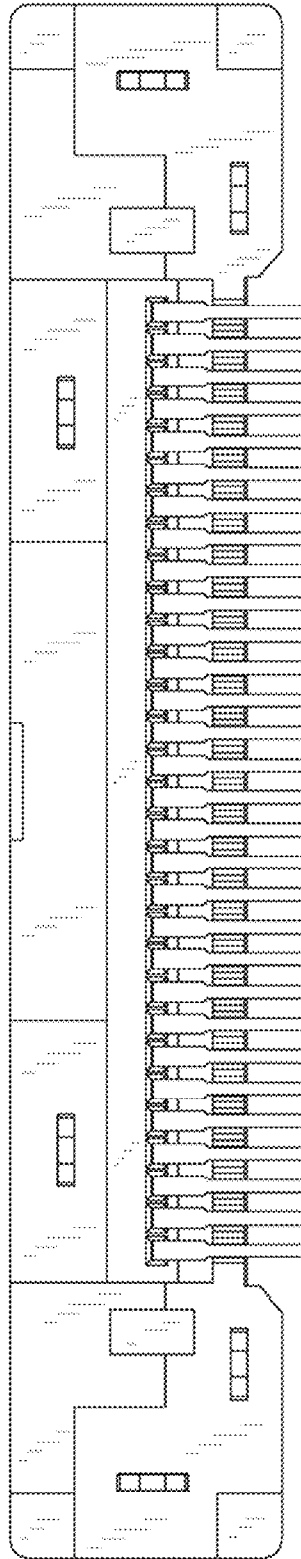
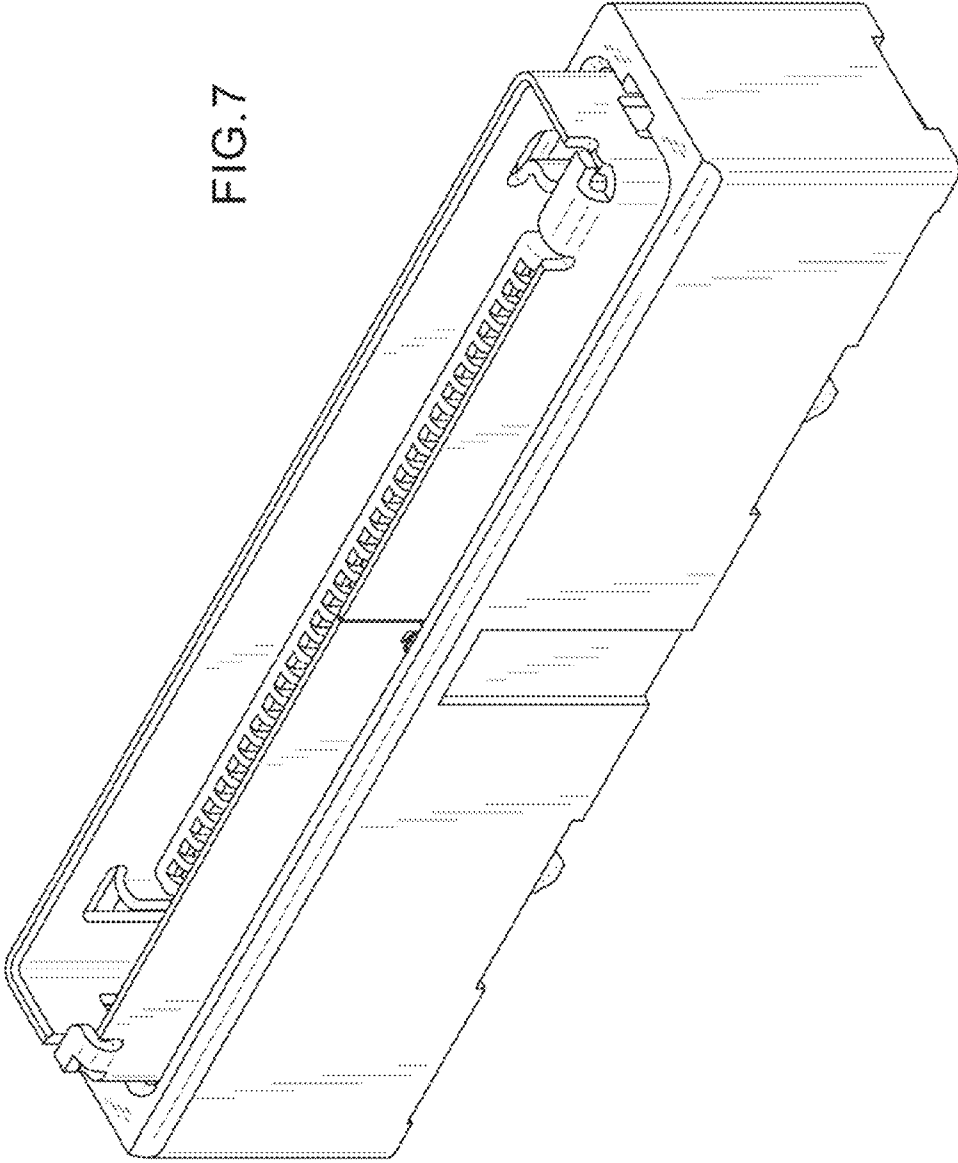


FIG. 7



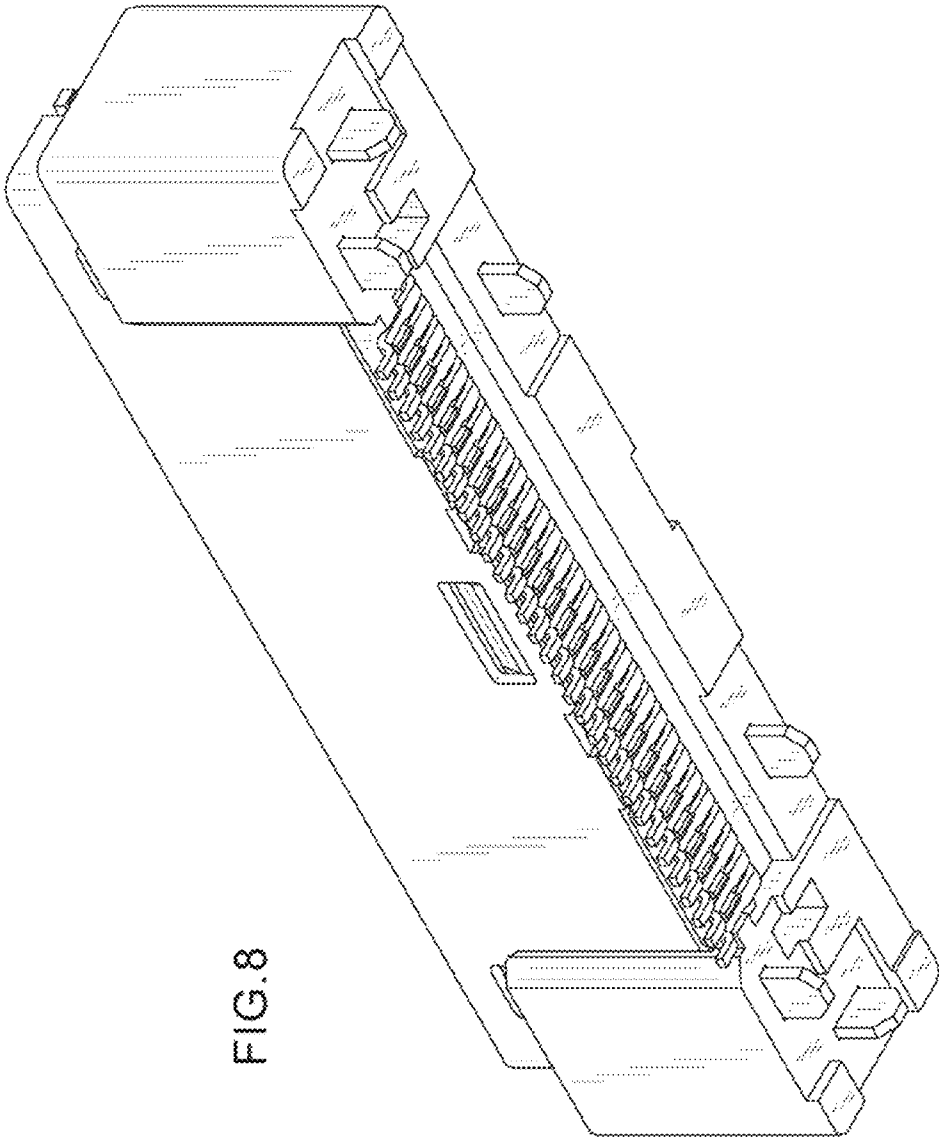


FIG.8

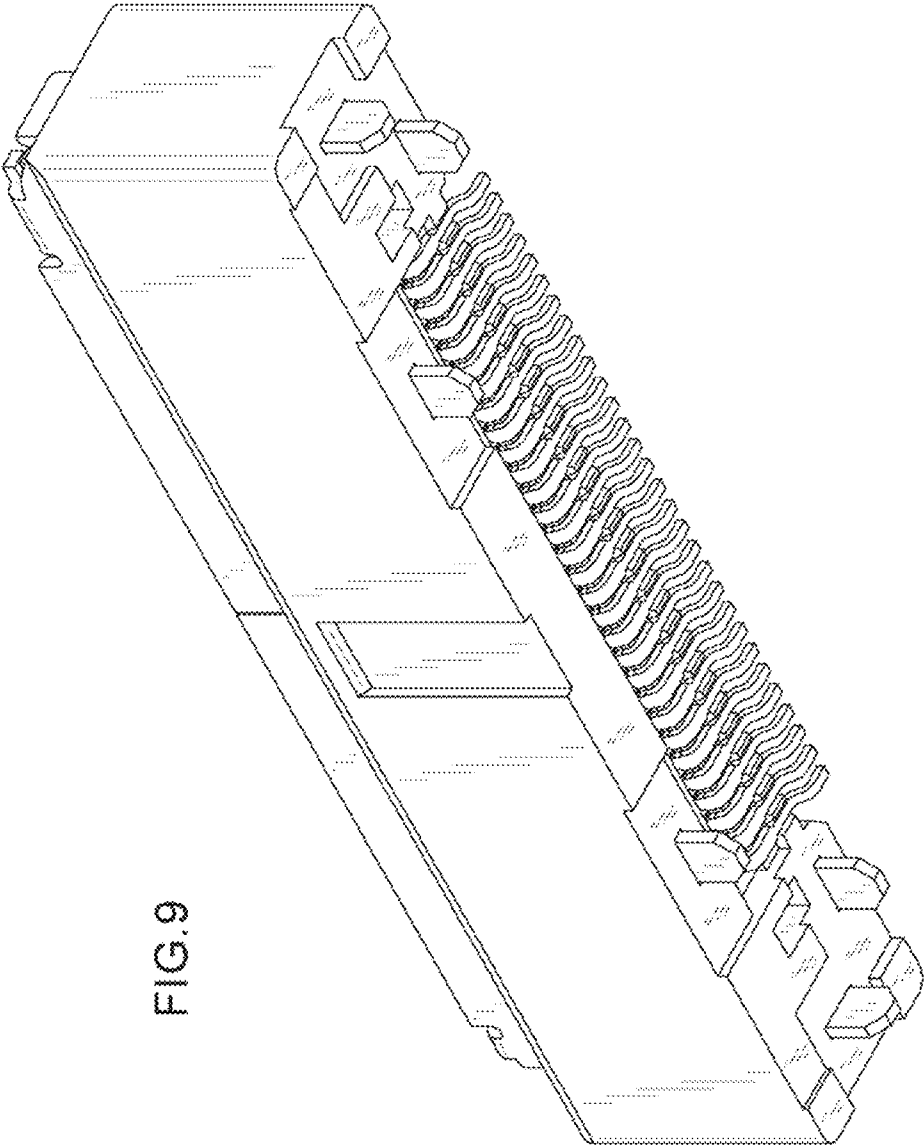


FIG.9

FIG. 10

