



US00D825019S

(12) **United States Design Patent**
Tsunesada

(10) **Patent No.:** **US D825,019 S**

(45) **Date of Patent:** **** Aug. 7, 2018**

- (54) **RIFLE** D584,373 S * 1/2009 Young F41C 23/16
D22/103
- (71) Applicant: **Masashi Tsunesada**, Okayama (JP) D610,218 S * 2/2010 Barrett D22/103
- (72) Inventor: **Masashi Tsunesada**, Okayama (JP) D662,167 S * 6/2012 Juarez D22/103
- (**) Term: **15 Years** D692,084 S * 10/2013 Eberle D22/103
- (21) Appl. No.: **35/503,113** D785,122 S * 4/2017 Mather D22/104
- (22) Filed: **Dec. 7, 2016** 2012/0159828 A1* 6/2012 Jarboe F41A 3/18
42/16
- (80) **Hague Agreement Data** 2012/0304520 A1* 12/2012 Battaglia F41A 3/64
42/75.03

* cited by examiner

Primary Examiner — Michael Aaron Pratt

(57) **CLAIM**

The ornamental design for a rifle, as shown and described.

DESCRIPTION

The patent or application file contains at least one drawing executed in color. Copies of this patent or patent application publication with color drawing(s) will be provided by the Office upon request and payment of the necessary fee.

- 1. Rifle
- 1.1 : Left
- 1.2 : Right
- 1.3 : Front
- 1.4 : Back
- 1.5 : Top
- 1.6 : Bottom
- 1.7 : Enlarged
- 1.8 : Reference view of state in use

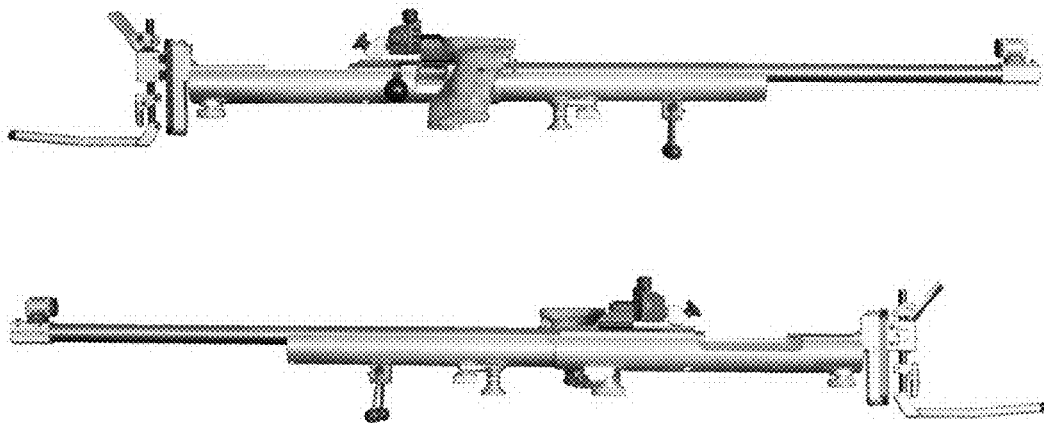
The present product is a rifle provided with a grip on a side thereof; the grip is positioned diagonally to the front and side of the cartridge chamber; the grip being provided with a trigger; red colored portions in the reproduction No. 1.8 form no part of the claimed design.

1 Claim, 8 Drawing Sheets
(8 of 8 Drawing Sheet(s) Filed in Color)

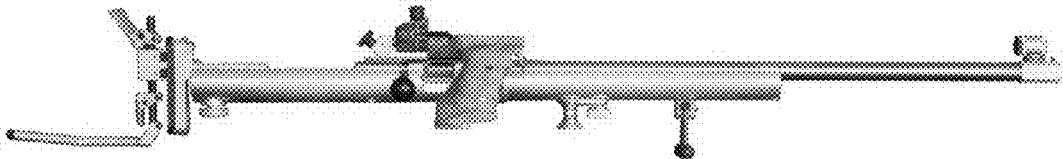
- (51) **LOC (11) Cl.** **22-01**
- (52) **U.S. Cl.**
- USPC **D22/103**
- (58) **Field of Classification Search**
- USPC D22/103, 108; D21/572, 575
- CPC F41C 23/00; F41C 27/00; F41C 27/06;
F41C 23/10; F41C 23/14; F41C 23/16;
F41C 23/18; F41A 21/28; F41A 5/18;
F41A 5/24
- See application file for complete search history.

(56) **References Cited**
U.S. PATENT DOCUMENTS

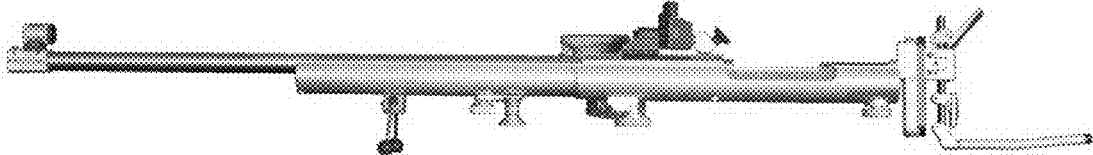
D299,943 S *	2/1989	Zelzer	D22/103
D303,417 S *	9/1989	LaViolette	D22/100
D304,062 S *	10/1989	Barrett	D22/103
4,932,148 A *	6/1990	Barrett	F41A 19/10 42/18
D403,042 S *	12/1998	Kozlovstev	D22/102
6,487,805 B1 *	12/2002	Reynolds	F41A 21/485 42/75.03



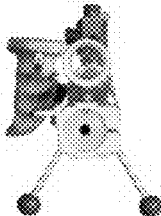
1.1



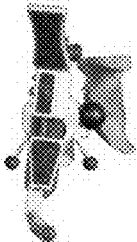
1.2



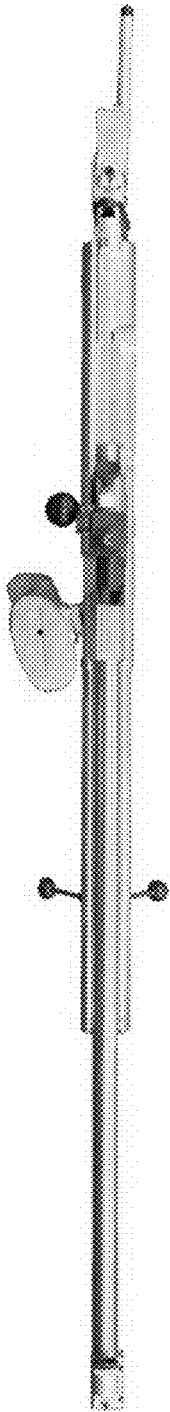
1.3



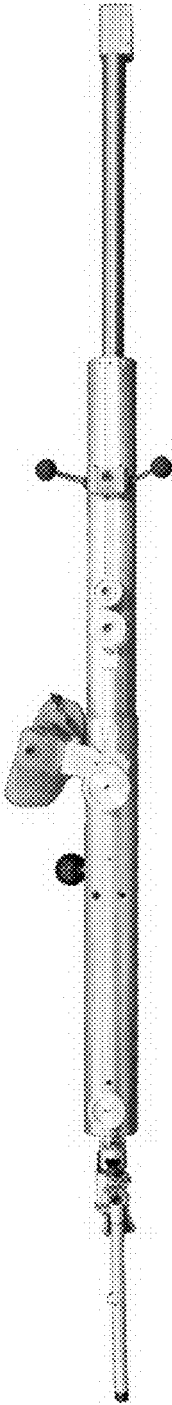
1.4



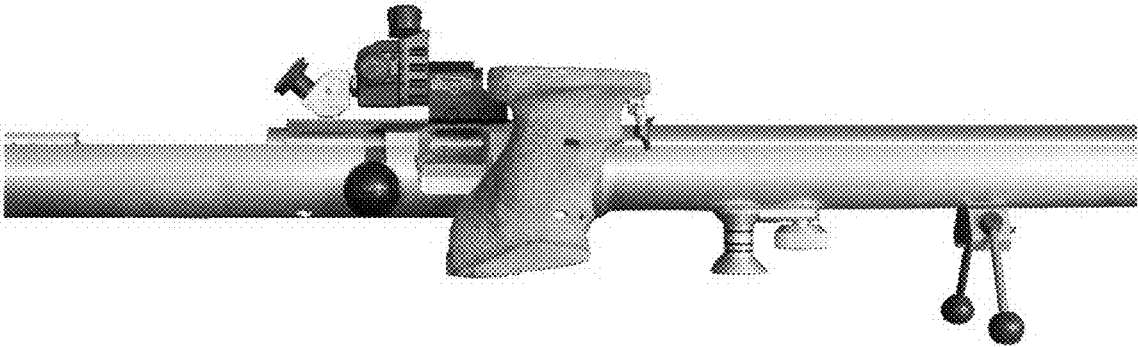
1.5



1.6



1.7



1.8

