



US00D692472S

(12) **United States Design Patent**
Samuels et al.

(10) **Patent No.:** **US D692,472 S**

(45) **Date of Patent:** **** Oct. 29, 2013**

(54) **LENS ADAPTER**

(71) Applicants: **Rudy Lucas Samuels**, Mill Valley, CA (US); **Nicholas D. Woodman**, Sausalito, CA (US); **William Drew Atkinson**, San Francisco, CA (US); **Fred Bould**, Menlo Park, CA (US); **Kristen Beck**, San Mateo, CA (US)

(72) Inventors: **Rudy Lucas Samuels**, Mill Valley, CA (US); **Nicholas D. Woodman**, Sausalito, CA (US); **William Drew Atkinson**, San Francisco, CA (US); **Fred Bould**, Menlo Park, CA (US); **Kristen Beck**, San Mateo, CA (US)

(73) Assignee: **Woodman Labs, Inc.**, San Mateo, CA (US)

(**) Term: **14 Years**

(21) Appl. No.: **29/434,194**

(22) Filed: **Oct. 10, 2012**

(51) **LOC (9) Cl.** **16-06**

(52) **U.S. Cl.**

USPC **D16/136**

(58) **Field of Classification Search**

USPC D16/134, 136, 130, 219; 359/808, 815, 359/819, 826, 827, 828; 396/529, 530, 531, 396/544, 545

See application file for complete search history.

(56) **References Cited**

U.S. PATENT DOCUMENTS

D141,692	S	*	6/1945	Nemeth	D16/136
2,866,397	A	*	12/1958	Gillette	396/337
3,067,664	A	*	12/1962	Winslow	396/353
3,454,323	A	*	7/1969	Dierks et al.	359/612
3,633,472	A	*	1/1972	Meyncke et al.	396/337
4,053,910	A	*	10/1977	Bodnar	396/337
4,357,090	A	*	11/1982	Araki	396/227

D272,745	S	*	2/1984	Feinbloom et al.	D16/130
D319,246	S	*	8/1991	Shinano	D16/134
5,040,011	A	*	8/1991	Tiffen	396/544
5,050,963	A	*	9/1991	Murakami	359/808
5,053,794	A	*	10/1991	Benz	396/432
5,194,988	A	*	3/1993	Flother et al.	359/554
D352,049	S	*	11/1994	Burr et al.	D16/130
5,517,363	A	*	5/1996	Suzuki et al.	359/819
D387,787	S	*	12/1997	Palmer	D16/130
5,781,351	A	*	7/1998	Murakami et al.	359/808
6,011,661	A	*	1/2000	Weng	359/819
D421,032	S	*	2/2000	Oka	D16/136
6,480,346	B2	*	11/2002	Funakoshi	359/808
6,545,825	B2	*	4/2003	Shoji et al.	359/819
7,037,007	B2	*	5/2006	Ohmori et al.	396/448
D537,462	S	*	2/2007	Tokiwa et al.	D16/219
7,706,088	B2	*	4/2010	Chung	359/823
D649,970	S	*	12/2011	Lyford et al.	D14/433

* cited by examiner

Primary Examiner — Paula Greene

(74) *Attorney, Agent, or Firm* — Fenwick & West LLP

(57) **CLAIM**

The ornamental design for a lens adapter, as shown and described.

DESCRIPTION

FIG. 1 is a front, top and right side perspective view of a lens adapter showing our new design according to a first embodiment;

FIG. 2 is a front, bottom and left side perspective view thereof;

FIG. 3 is a rear, top and right side perspective view thereof;

FIG. 4 is a front elevational view thereof;

FIG. 5 is a rear elevational view thereof;

FIG. 6 is a top plan view thereof;

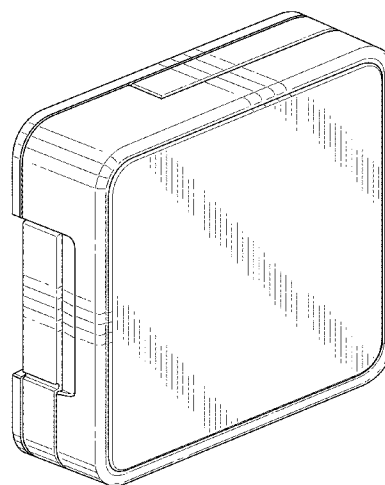
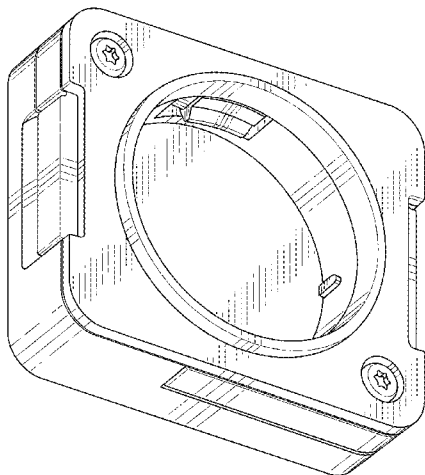
FIG. 7 is a bottom plan view thereof;

FIG. 8 is a right side elevational view thereof; and,

FIG. 9 is a left side elevational view thereof.

The broken lines in the drawings showing portions of the lens adapter are included for the purpose of illustrating environmental structure and form no part of the claimed design.

1 Claim, 7 Drawing Sheets



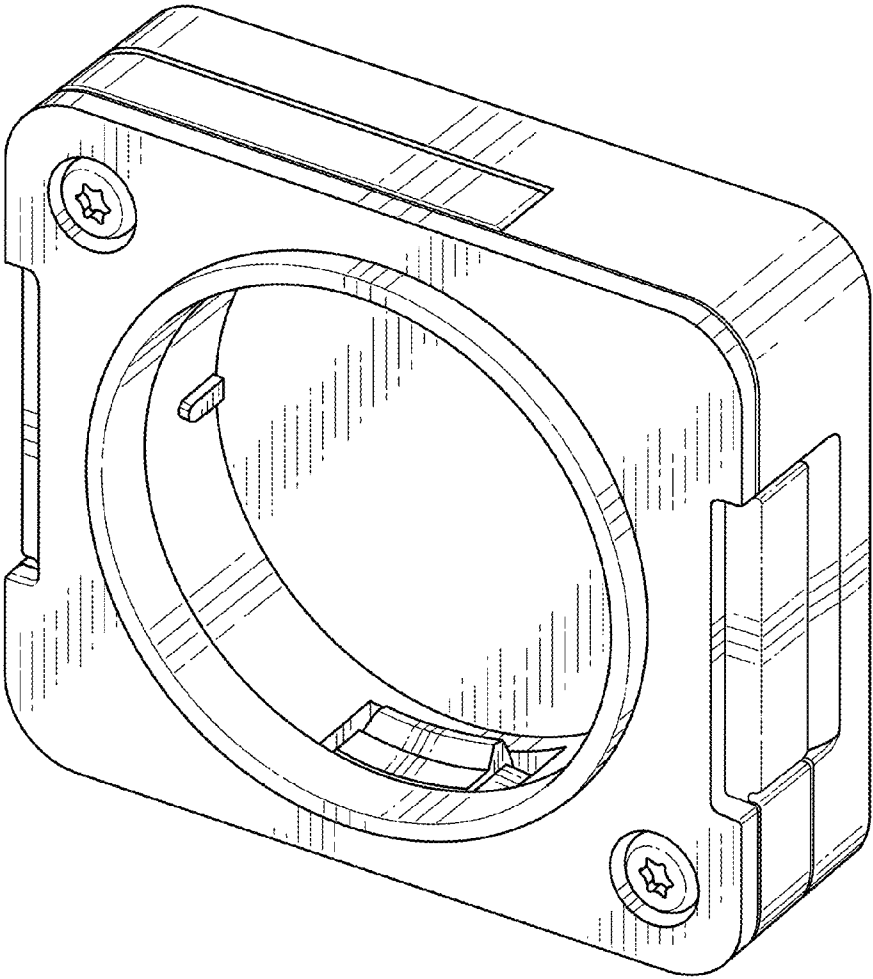


FIG. 1

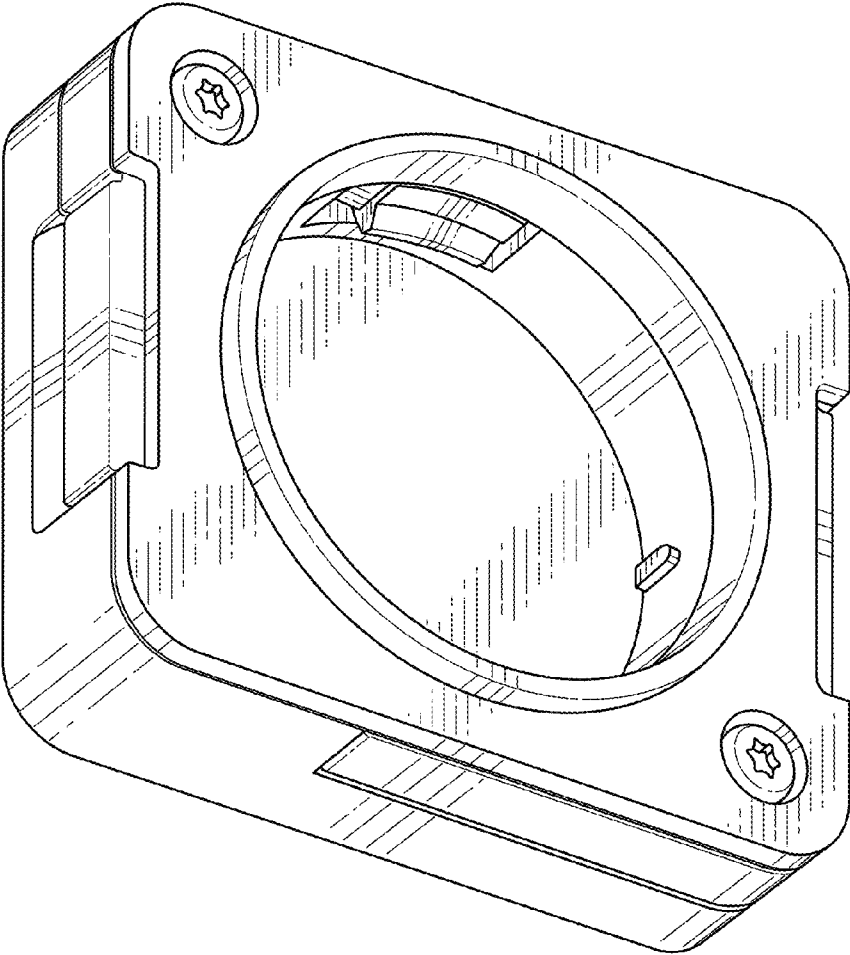


FIG. 2

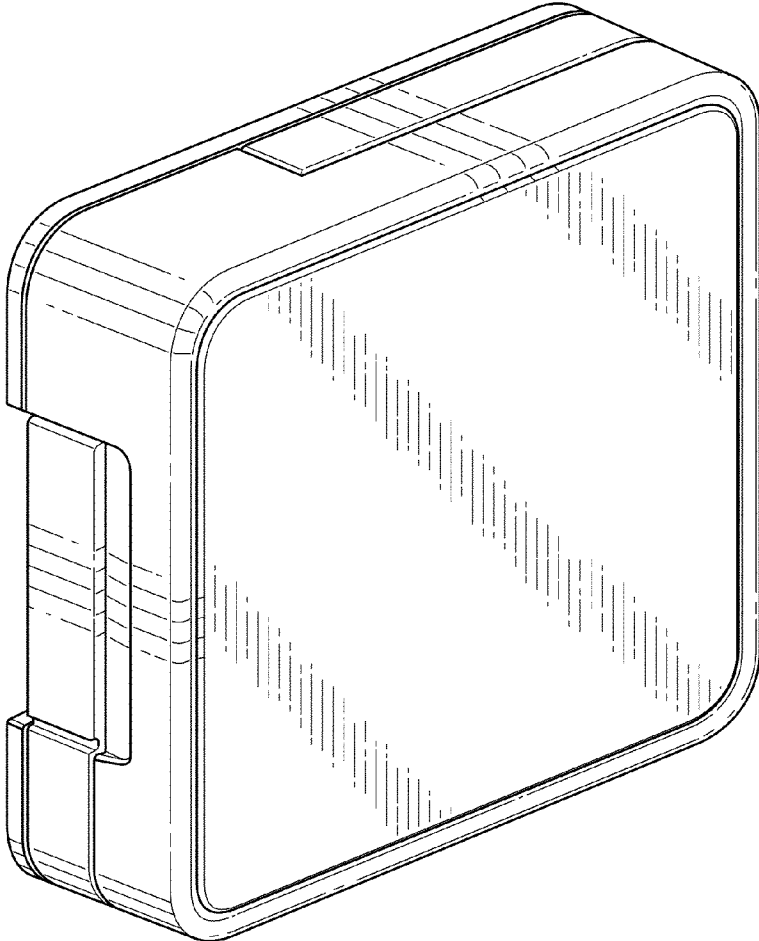


FIG. 3

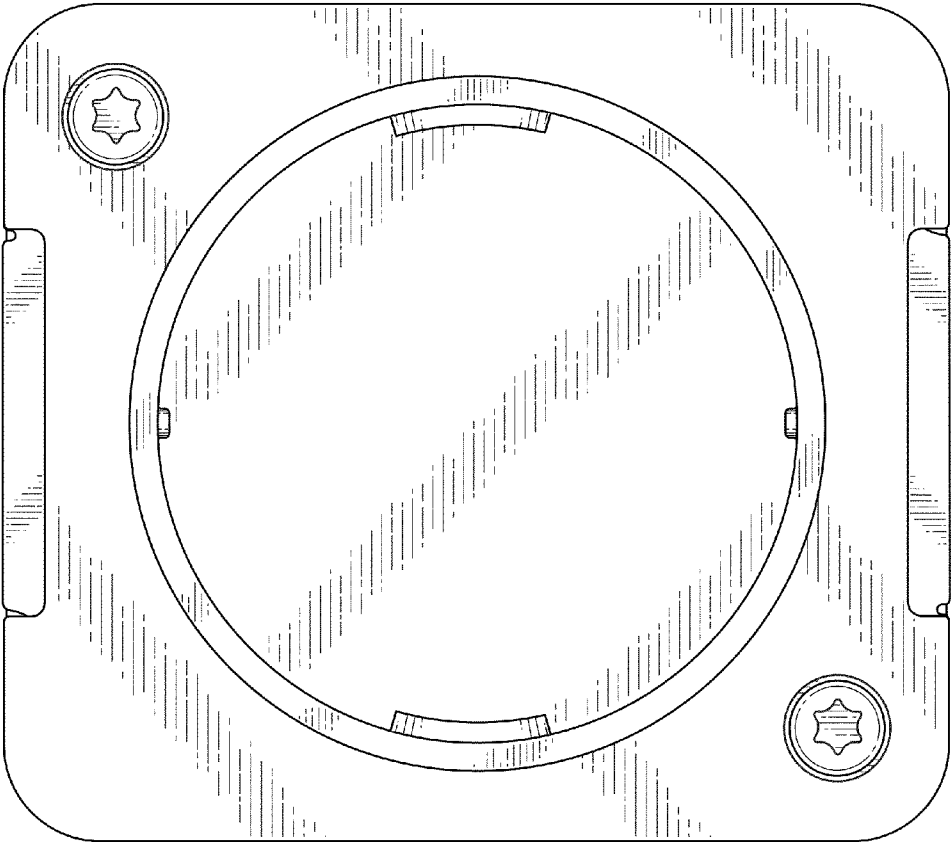


FIG. 4

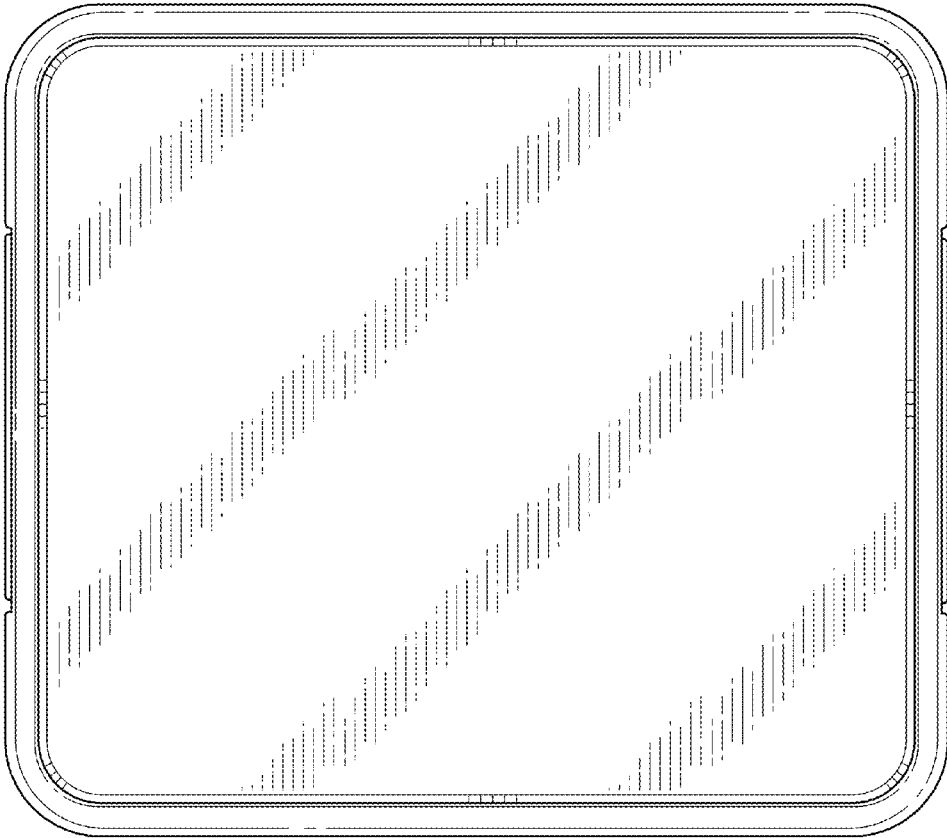


FIG. 5

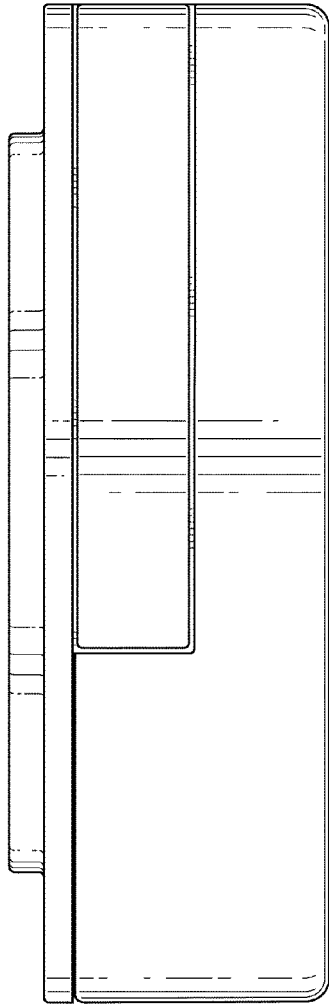


FIG. 6

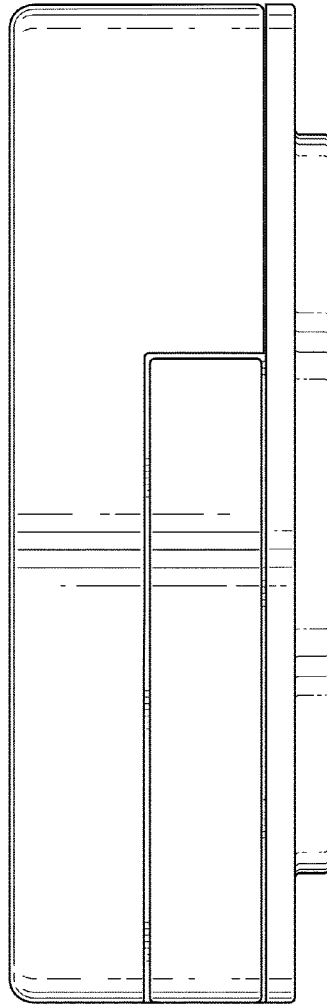


FIG. 7

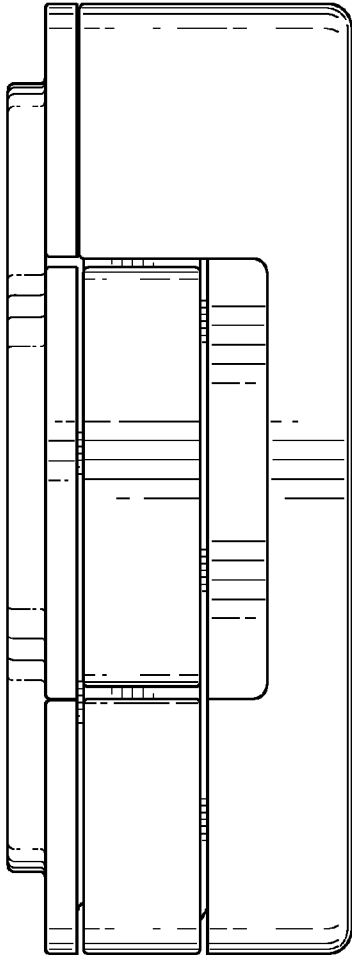


FIG. 8

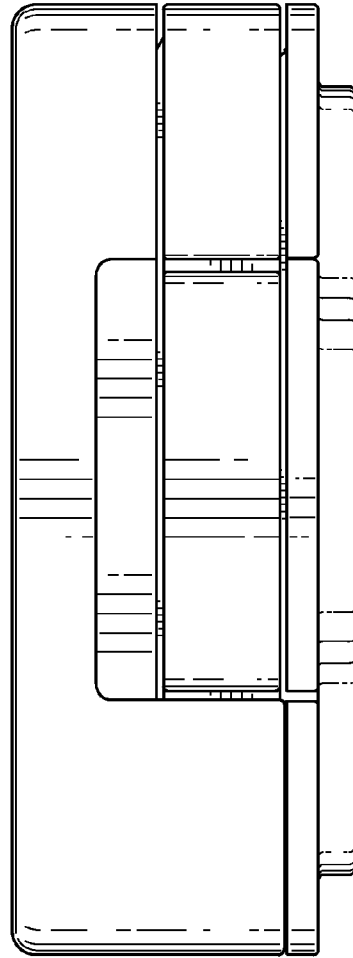


FIG. 9