



US00D681118S

(12) **United States Design Patent**
Mueller et al.

(10) **Patent No.:** **US D681,118 S**

(45) **Date of Patent:** **** Apr. 30, 2013**

(54) **TAPE DISPENSER**

(75) Inventors: **Gerald E. Mueller**, Eagan, MN (US);
Shaelyn D. Crutchley, St. Paul, MN
(US); **Christopher R. Kokaisel**,
Woodbury, MN (US); **Karim Rashid**,
New York, NY (US)

(73) Assignee: **3M Innovative Properties Company**,
St. Paul, MN (US)

(**) Term: **14 Years**

(21) Appl. No.: **29/427,058**

(22) Filed: **Jul. 13, 2012**

(51) **LOC (9) Cl.** **19-02**

(52) **U.S. Cl.**
USPC **D19/69**

(58) **Field of Classification Search** D19/70,
D19/69, 36, 68; 242/588.6, 588.2; 225/77,
225/6, 56, 39, 26, 25, 19, 11; 206/411; 156/577,
156/527, 523

See application file for complete search history.

(56) **References Cited**

U.S. PATENT DOCUMENTS

4,088,276	A	*	5/1978	Littleton	242/396.5
4,459,058	A	*	7/1984	Bennett	401/88
D280,667	S	*	9/1985	Bennett	D28/7
D340,625	S	*	10/1993	Wang	D7/629
D442,993	S	*	5/2001	Eisen	D19/73
D466,940	S	*	12/2002	Gstalder	D19/73
D479,689	S	*	9/2003	Altonen et al.	D9/516
D555,734	S	*	11/2007	Nash et al.	D19/86

D568,692	S	*	5/2008	Lam	D7/629
D586,675	S	*	2/2009	Wagner et al.	D10/72
D590,444	S	*	4/2009	Farnworth et al.	D19/73
D590,888	S	*	4/2009	Newbould et al.	D19/69
D616,941	S	*	6/2010	Bradfield	D19/69
D638,880	S	*	5/2011	Rashid et al.	D19/69
D643,879	S	*	8/2011	Rashid	D19/86
D656,548	S	*	3/2012	Packard et al.	D19/69
D671,596	S	*	11/2012	Ruthe-Steinsiek	D19/69

* cited by examiner

Primary Examiner — Austin Murphy

(74) *Attorney, Agent, or Firm* — Irina Hass

(57) **CLAIM**

The ornamental design for a tape dispenser, as shown and described.

DESCRIPTION

FIG. 1 is a perspective view of a tape dispenser showing the new design;

FIG. 2 is a top view thereof;

FIG. 3 is a bottom view thereof;

FIG. 4 is a front view thereof;

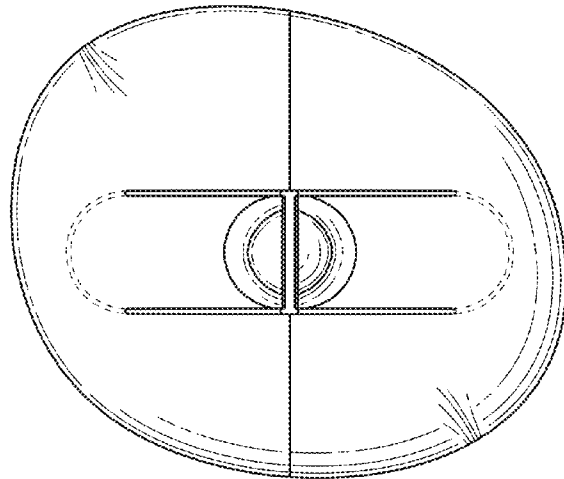
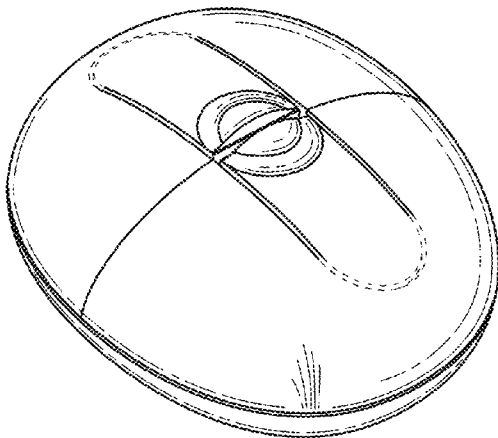
FIG. 5 is a rear view thereof;

FIG. 6 is a right side view thereof; and,

FIG. 7 is a left side view thereof.

The broken lines in the drawings are shown for illustrative purposes only and form no part of the claimed design. In addition, the surface shading illustrated in the drawings is provided merely to highlight the contour of design; it is not intended to be illustrative of texture or gloss.

1 Claim, 3 Drawing Sheets



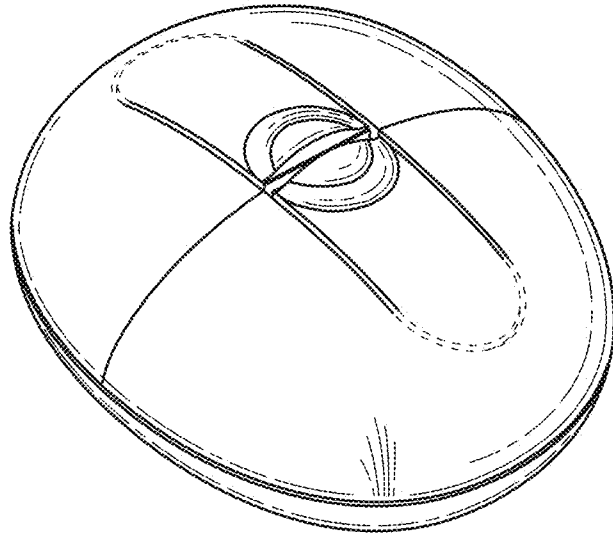


Fig. 1

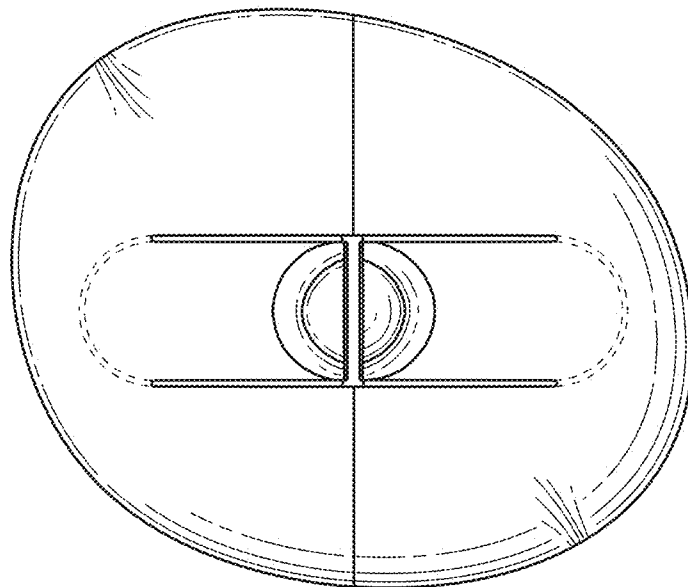


Fig. 2

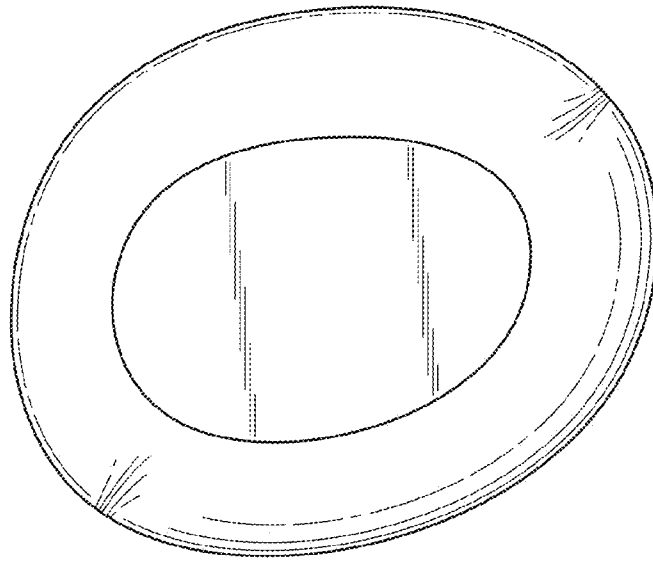


Fig. 3

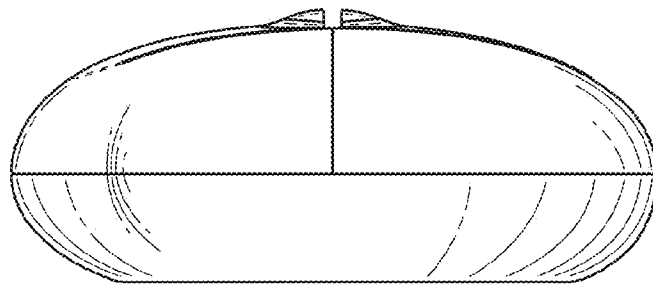


Fig. 4

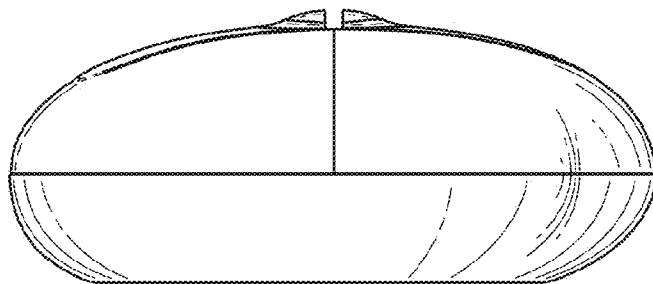


Fig. 5

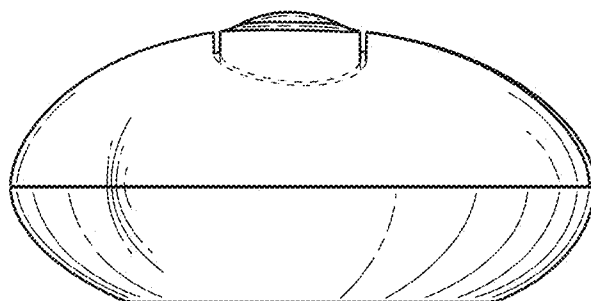


Fig. 6

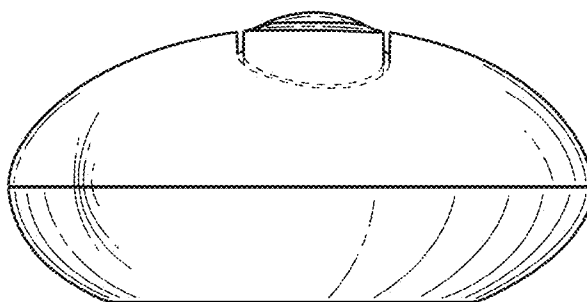


Fig. 7