



US00D752470S

(12) **United States Design Patent**
Miller

(10) **Patent No.:** **US D752,470 S**

(45) **Date of Patent:** **** Mar. 29, 2016**

(54) **CHAIN WATCH**

(71) Applicant: **Atocha Treasure Company, LLC,**
Estero, FL (US)

(72) Inventor: **Kenny Miller, Estero, FL (US)**

(73) Assignee: **Atocha Treasure Company LLC,**
Estero, FL (US)

(**) Term: **14 Years**

(21) Appl. No.: **29/507,706**

(22) Filed: **Oct. 30, 2014**

(51) **LOC (10) Cl.** **11-01**

(52) **U.S. Cl.**
USPC **D11/13**

(58) **Field of Classification Search**
USPC D11/1-26, 79, 93; D12/122-124
CPC A44C 5/00; A44C 5/0007; A44C 5/0015;
A44C 5/0023; A44C 5/003; A44C 5/0038;
A44C 5/0046; A44C 5/0053; A44C 5/0061;
A44C 5/0069; A44C 5/0076; A44C 5/0084;
A44C 5/0092; A44C 5/02; A44C 5/022;
A44C 5/025; A44C 5/027; A44C 5/08;
A44C 5/107

See application file for complete search history.

(56) **References Cited**

U.S. PATENT DOCUMENTS

D246,830	S	*	1/1978	Lossini	D11/12
D246,960	S	*	1/1978	Lossini	D11/12
D247,103	S	*	1/1978	Lossini	D11/12
D292,144	S	*	10/1987	McClure	D11/81
D358,355	S	*	5/1995	Fernandez	D11/3
5,609,076	A	*	3/1997	Idland	B67B 7/162 81/3.43
D380,168	S	*	6/1997	Droz	D11/25
D396,658	S	*	8/1998	Engel	D11/12
D400,468	S	*	11/1998	Norman	D11/81
D401,164	S	*	11/1998	Wunderman	D10/32

D412,058	S	*	7/1999	Edworthy	D3/208
D460,698	S	*	7/2002	Jamin	D10/32
D479,768	S	*	9/2003	Macevicz	D3/211
D542,168	S	*	5/2007	So	D11/13
D545,234	S	*	6/2007	Sogoyan	D11/13
D577,905	S	*	10/2008	Hu	D3/207
D581,306	S	*	11/2008	So	D11/13
D581,307	S	*	11/2008	So	D11/13
D584,983	S	*	1/2009	So	D11/13
D656,297	S	*	3/2012	Christian	D2/627
D707,583	S	*	6/2014	Kalemos	D11/87
D719,045	S	*	12/2014	Miller	D11/13
D719,046	S	*	12/2014	Miller	D11/13
2007/0084243	A1	*	4/2007	Moore	A44C 11/002 63/38

OTHER PUBLICATIONS

[Online] <http://www.ebay.com/itm/MENS-BIKE-CHAIN-BRACE-LET-STAINLESS-STEEL-DOUBLE-LINK-ROLLER-UNIQUE-DESIGN-/310774366031?hash=item485b987f4f>. Retrieved Nov. 12, 2015.*

(Continued)

Primary Examiner — Garth Rademaker

Assistant Examiner — Melanie Pellegrini

(74) *Attorney, Agent, or Firm* — Kevin Keener; Keener and Associates P.C.

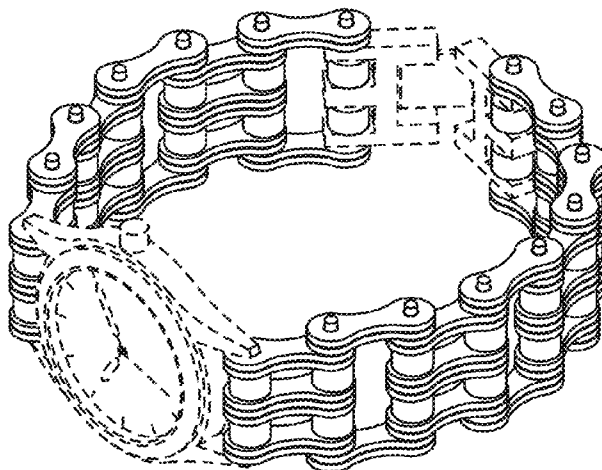
(57) **CLAIM**

The ornamental design for a chain watch, as shown and described.

DESCRIPTION

FIG. 1 is a top perspective view of a chain watch; FIG. 2 is a front elevation view thereof; FIG. 3 is a side elevation view thereof; and, FIG. 4 is an enlarged sectional view of a link of the chain watch shown separately for completeness of illustration. The broken lines shown in the drawings illustrate portions of the chain watch that form no part of the claimed design.

1 Claim, 3 Drawing Sheets



(56)

References Cited

OTHER PUBLICATIONS

[Online] http://www.craftster.org/pictures/data/500/220887_09Jun10_P5280018.JPG. Retrieved Nov. 12, 2015. Posted online Jun. 9, 2010.*

[Online] <http://i.ebayimg.com/images/i/111399972104-0-1/s-11000.jpg>. Retrieved Nov. 12, 2015.*

[Online] <http://photos.imageevent.com/motorbiker/newspics3/Demos-Watch-2.jpg>. Retrieved Nov. 12, 2015.*

[Online] http://zales.imageg.net/graphics/product_images/pZALE1-6026565t240.jpg. Retrieved Nov. 12, 2015.*

[Online] <http://www.aliexpress.com/item/1-Wide-8-7-170g-Heavy-Men-Motorcycle-Motorbike-Bike-Chain-Bracelet-316L-Stainless-Steel-Biker/1976086313.html>. Retrieved Nov. 11, 2015. First recorded sale: Jun. 3, 2015.*

* cited by examiner

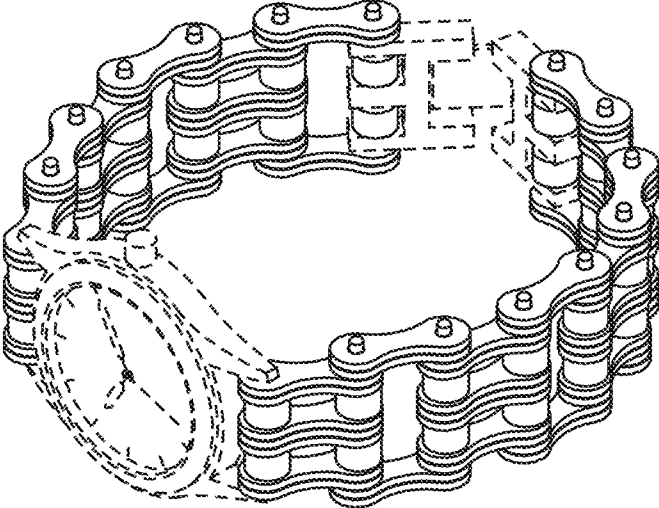


FIG. 1

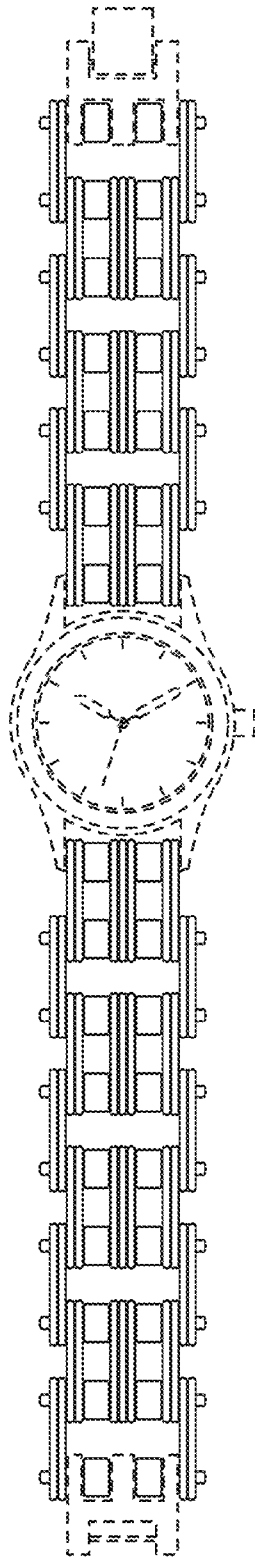


FIG. 2



FIG. 3

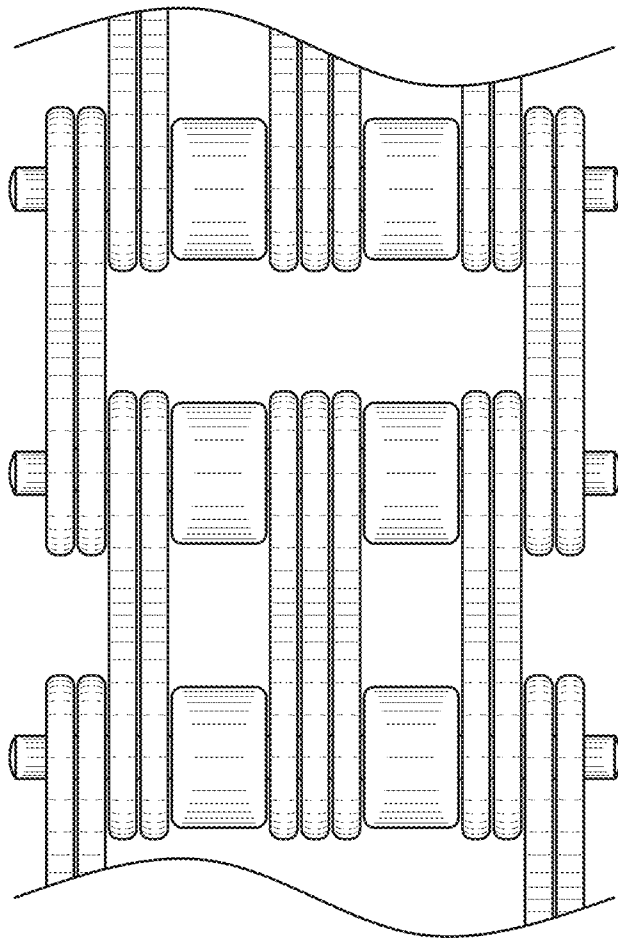


FIG. 4