



US00D834071S

(12) **United States Design Patent**  
**Näslund et al.**

(10) **Patent No.:** **US D834,071 S**  
(45) **Date of Patent:** **\*\* Nov. 20, 2018**

(54) **LAWNMOWER**  
(71) Applicant: **HUSQVARNA AB**, Huskvarna (SE)  
(72) Inventors: **Jens Näslund**, Spånga (SE); **Tor Sigurdson**, Stockholm (SE)  
(73) Assignee: **HUSQVARNA AB**, Huskvarna (SE)  
(\*\*) Term: **15 Years**  
(21) Appl. No.: **29/617,438**  
(22) Filed: **Sep. 14, 2017**

(30) **Foreign Application Priority Data**

Mar. 14, 2017 (EM) ..... 003799626-0003

(51) **LOC (11) Cl.** ..... **15-03**  
(52) **U.S. Cl.**  
USPC ..... **D15/14**  
(58) **Field of Classification Search**  
USPC ..... D15/10, 14-18; 56/12.8, 12.7, 13.4,  
56/16.7, 17.5, 202, 254, 255, 294, 11.4,  
56/320.1, 320.2, 249, 252, 11.9, 17.1,  
56/17.4, 295; 280/43.17  
CPC .... A01D 42/04; A01D 42/00; A01D 2101/00;  
A01D 34/63; A01D 43/063  
See application file for complete search history.

(56) **References Cited**

**U.S. PATENT DOCUMENTS**

D346,810 S \* 5/1994 Schulz ..... D15/14  
D361,771 S \* 8/1995 Ledingham ..... D15/14  
5,493,851 A \* 2/1996 Katzer ..... A01D 42/04  
56/13.7  
D375,963 S \* 11/1996 Braun ..... D15/17  
5,676,117 A \* 10/1997 Williams ..... F02B 43/00  
123/525  
D390,576 S \* 2/1998 Shimamura ..... D15/14

5,910,091 A \* 6/1999 Iida ..... A01D 34/78  
56/16.7  
D421,265 S \* 2/2000 Ohsumi ..... D15/14  
D422,605 S \* 4/2000 Danthois ..... D15/17  
D424,070 S \* 5/2000 Danthois ..... D15/14  
D426,836 S \* 6/2000 Sirois ..... D15/14  
D449,840 S \* 10/2001 Concari ..... D15/14  
D450,064 S \* 11/2001 Concari ..... D15/14  
D456,030 S \* 4/2002 Maeda ..... D15/14  
D460,973 S \* 7/2002 Jong ..... D15/14  
D489,734 S \* 5/2004 Lin ..... D15/14  
D497,918 S \* 11/2004 Osborne ..... D15/14  
D508,923 S \* 8/2005 Henssler ..... D15/14  
D508,924 S \* 8/2005 Henssler ..... D15/14  
RE39,338 E \* 10/2006 Stratford ..... D15/14  
D544,501 S \* 6/2007 Chung Lee ..... D15/14  
D581,951 S \* 12/2008 Bochmann ..... D15/14  
D610,167 S \* 2/2010 Martin ..... D15/14  
D620,029 S \* 7/2010 Baetica ..... D15/14  
D620,030 S \* 7/2010 Baetica ..... D15/14  
D622,291 S \* 8/2010 Martin ..... D15/14

(Continued)

*Primary Examiner* — Mark Goodwin  
(74) *Attorney, Agent, or Firm* — McNair Law Firm, P.A.

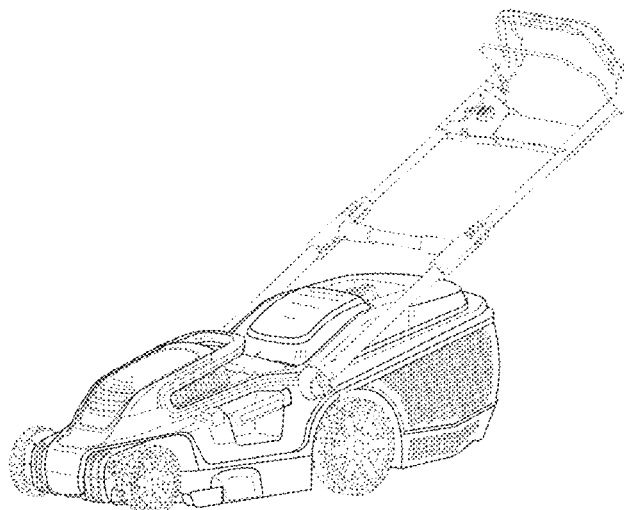
(57) **CLAIM**

The ornamental design for a lawnmower, as shown and described.

**DESCRIPTION**

FIG. 1 is a perspective view of a lawnmower in accordance with an embodiment of the present invention;  
FIG. 2 is a top view of the lawnmower of FIG. 1;  
FIG. 3 is a bottom view of the lawnmower of FIG. 1;  
FIG. 4 is a left side view of the lawnmower of FIG. 1;  
FIG. 5 is a right side view of the lawnmower of FIG. 1;  
FIG. 6 is a front view of the lawnmower of FIG. 1; and,  
FIG. 7 is a rear view of the lawnmower of FIG. 1.  
The broken lines of FIGS. 1-7 are illustrative of the visible environmental structure of the lawnmower and form no part of the claimed design.

**1 Claim, 7 Drawing Sheets**



(56)

**References Cited**

U.S. PATENT DOCUMENTS

D627,371	S	*	11/2010	Baetica	.....	D15/14
D627,372	S	*	11/2010	Baetica	.....	D15/14
D628,598	S	*	12/2010	Neeley	.....	D15/14
D646,698	S	*	10/2011	Park	.....	D15/14
D648,354	S	*	11/2011	Hattori	.....	D15/14
D649,166	S	*	11/2011	Thackery	.....	D15/17
D652,846	S	*	1/2012	Stratford	.....	D15/14
D653,265	S	*	1/2012	Stratford	.....	D15/14
D665,823	S	*	8/2012	Hannig	.....	D15/14
D723,068	S	*	2/2015	Qiu	.....	D15/14
D725,155	S	*	3/2015	McKay	.....	D15/14
D726,227	S	*	4/2015	Aglassinger	.....	D15/14
D781,348	S	*	3/2017	Pellenc	.....	D15/14
D784,420	S	*	4/2017	Zhang	.....	D15/14
D785,048	S	*	4/2017	Zhang	.....	D15/14

\* cited by examiner

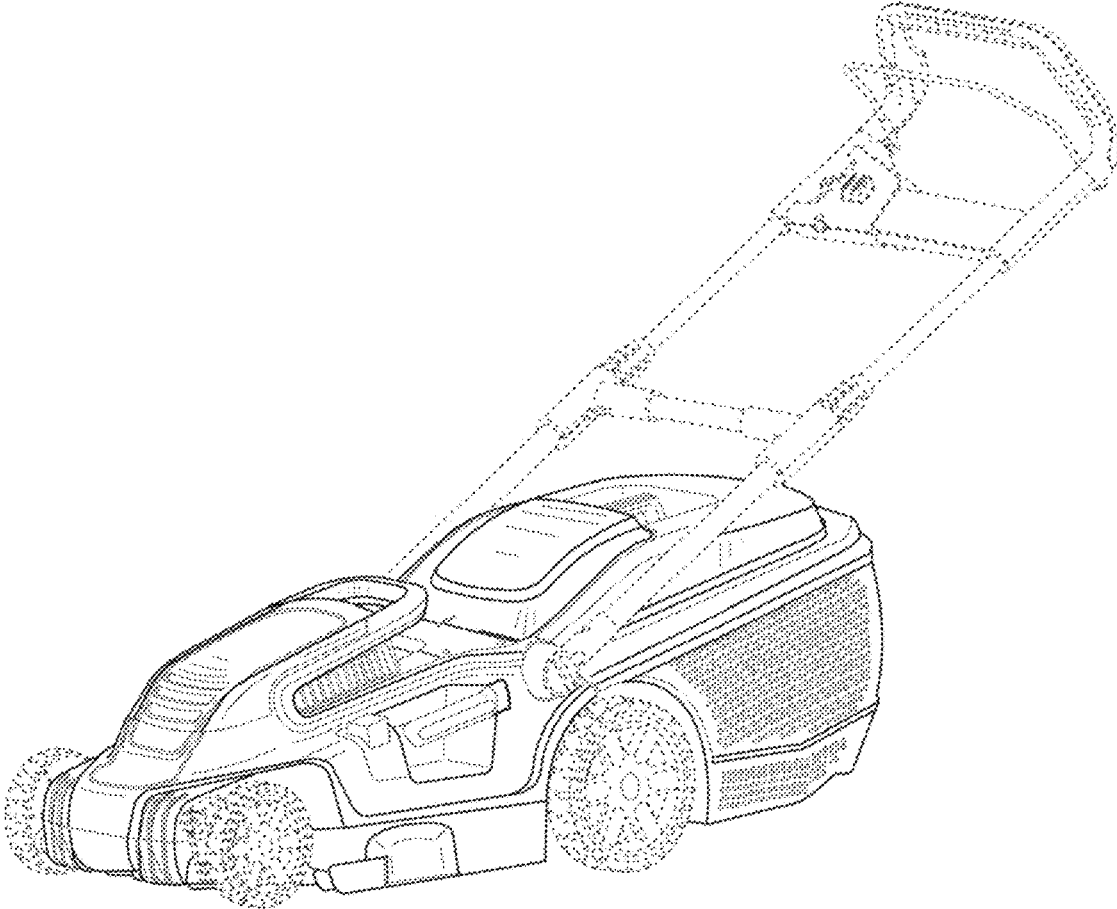


FIG. 1

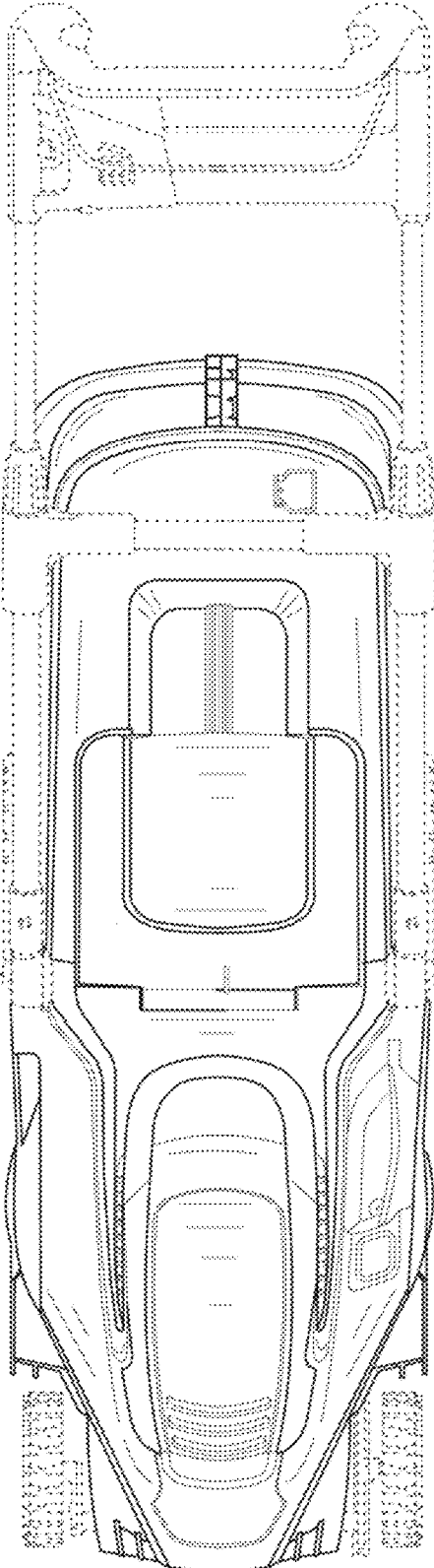


FIG. 2

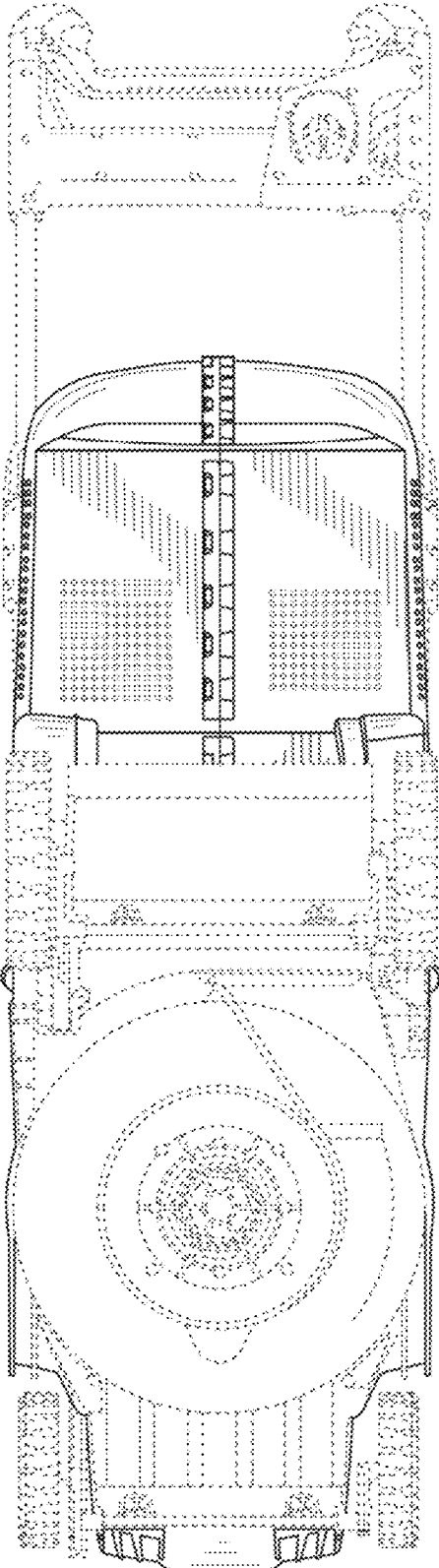


FIG. 3

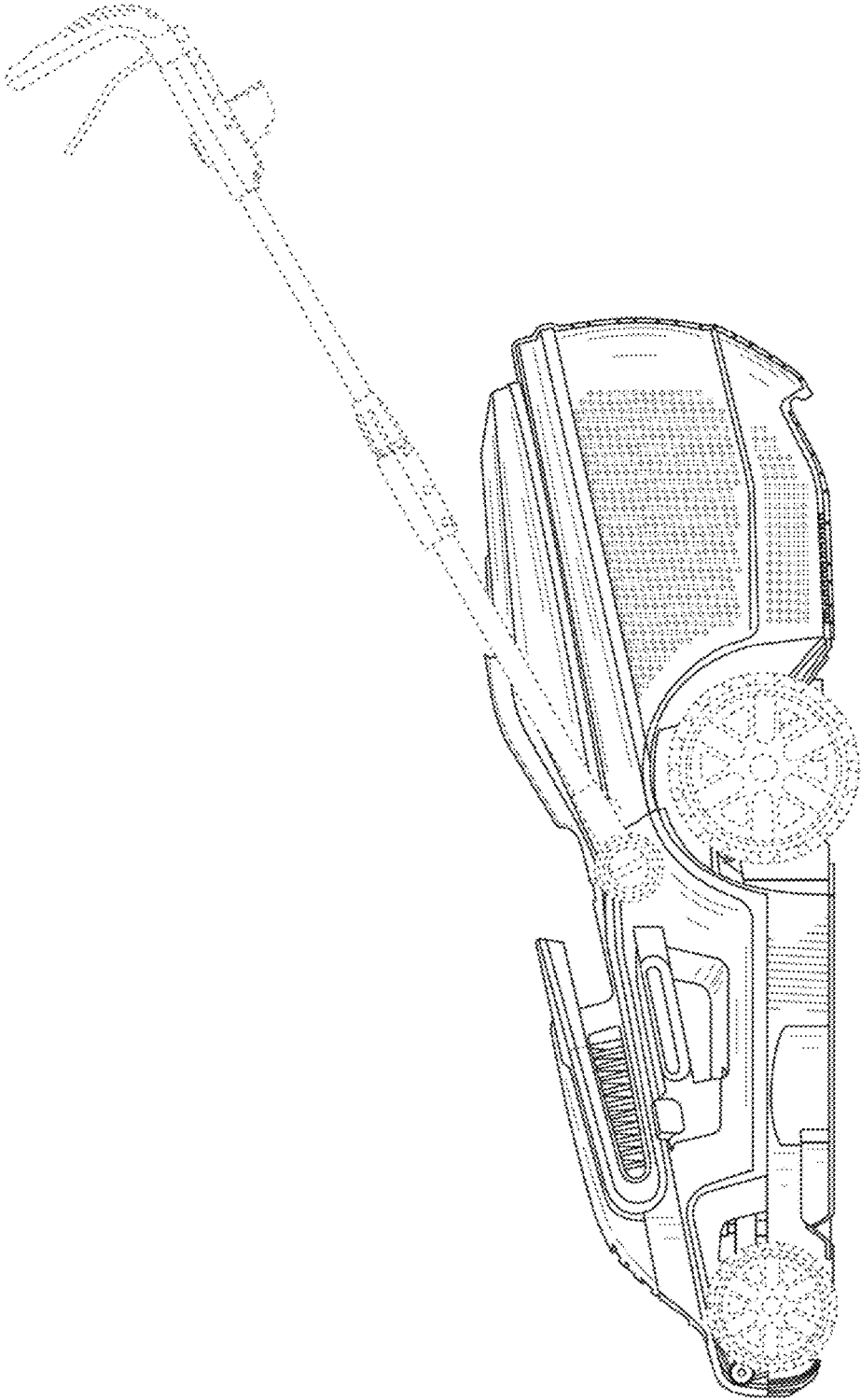


FIG. 4

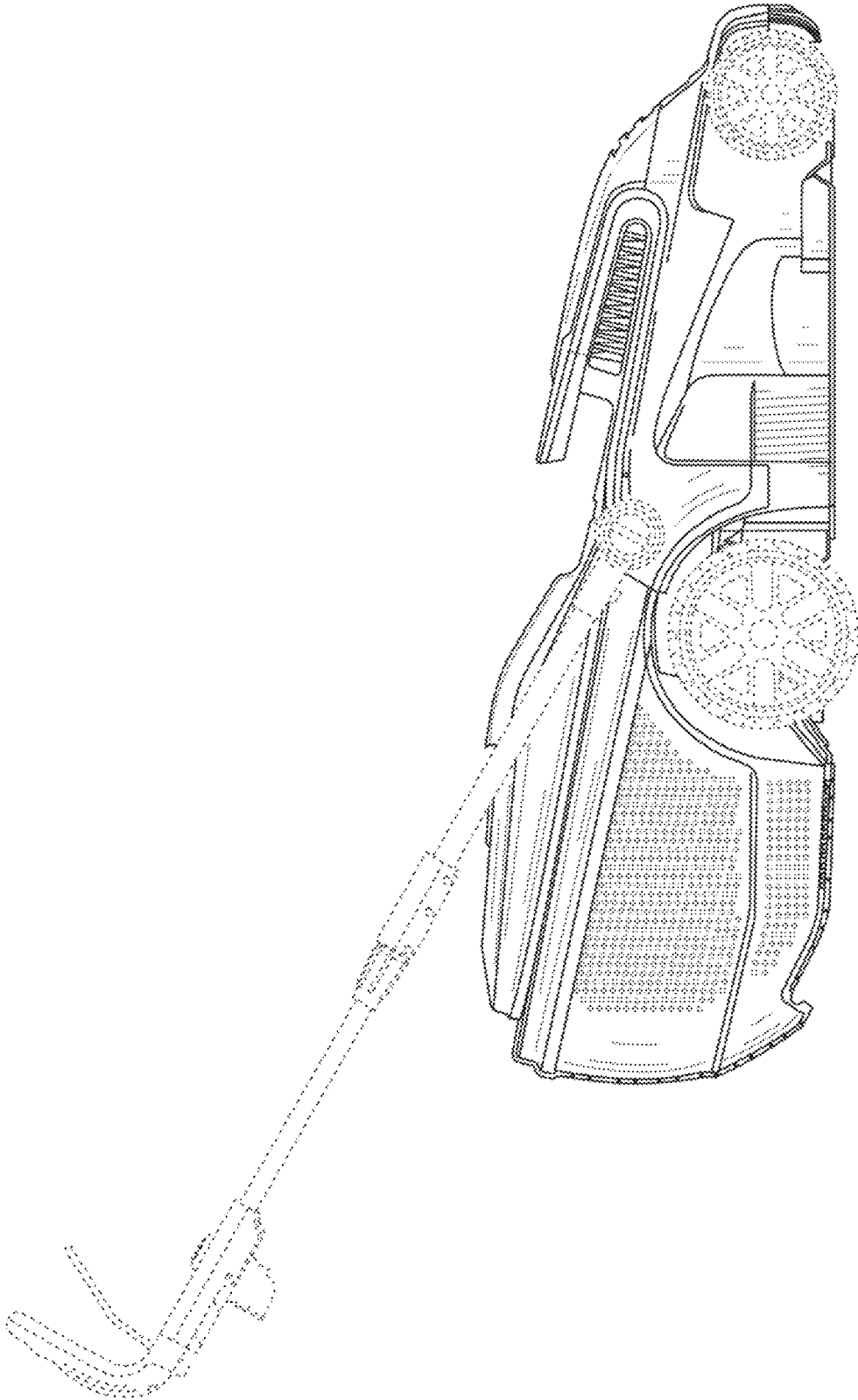


FIG. 5

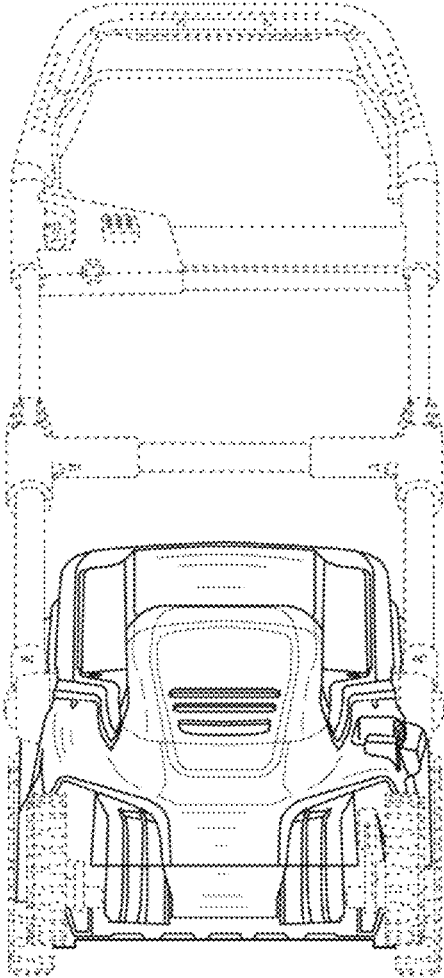


FIG. 6



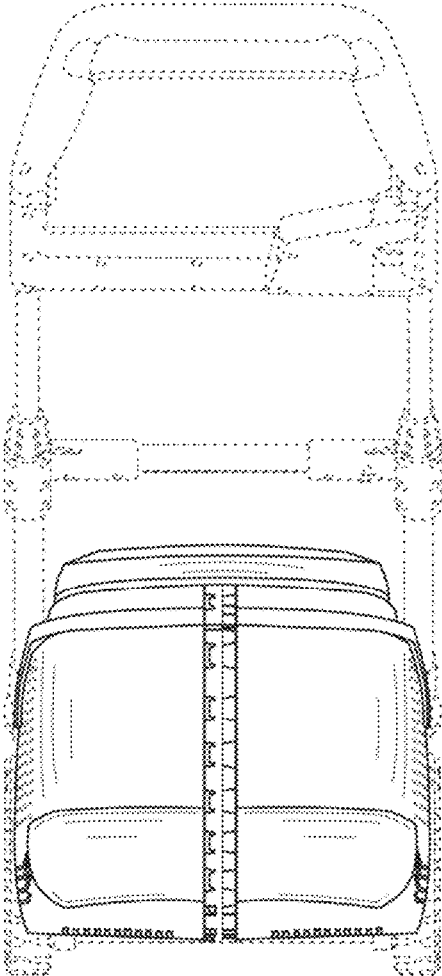


FIG. 7