



US00D731134S

(12) **United States Design Patent**  
**Dyson et al.**

(10) **Patent No.:** **US D731,134 S**

(45) **Date of Patent:** **\*\* Jun. 2, 2015**

- (54) **PART OF A VACUUM CLEANER**
- (71) Applicant: **Dyson Technology Limited**, Wiltshire (GB)
- (72) Inventors: **James Dyson**, Malmesbury (GB); **Peter David Gammack**, Malmesbury (GB); **Timothy Nicholas Stickney**, Malmesbury (GB); **Jonathan George Marsh**, Malmesbury (GB)
- (73) Assignee: **Dyson Technology Limited**, Malmesbury, Wiltshire (GB)

(\*\*) Term: **14 Years**

(21) Appl. No.: **29/464,496**

(22) Filed: **Aug. 16, 2013**

(30) **Foreign Application Priority Data**

Feb. 18, 2013 (EM) ..... 001361141-0003

(51) **LOC (10) Cl.** ..... **15-05**

(52) **U.S. Cl.**  
USPC ..... **D32/31**

(58) **Field of Classification Search**  
USPC ..... D32/17, 18, 31, 21, 23-24; 15/320, 15/344, 329, 347, 327.1, 327.2, 327.5, 15/327.6, 327.7, 352-353, DIG. 1, DIG. 8; 55/337, 429, 345, DIG. 3, 459.1  
See application file for complete search history.

(56) **References Cited**

**U.S. PATENT DOCUMENTS**

- D432,077 S 10/2000 Zurwelle et al.
- D471,683 S 3/2003 Dyson et al.
- D504,111 S 4/2005 Ozawa et al.
- D504,394 S 4/2005 Cheung et al.
- D575,224 S 8/2008 Taniguchi et al.
- D577,163 S \* 9/2008 Dyson et al. .... D32/21

- D580,353 S 11/2008 Harrison et al.
- D587,415 S \* 2/2009 Dyson et al. .... D32/31
- D589,440 S 3/2009 Van Wambeke
- D590,333 S 4/2009 Price et al.
- D593,944 S 6/2009 Smith
- D609,416 S 2/2010 Hill et al.
- D610,537 S 2/2010 Sweeney
- D622,660 S 8/2010 Taniguchi et al.
- D629,746 S 12/2010 Workman et al.
- D657,511 S 4/2012 Dyson et al.
- D668,010 S \* 9/2012 Stickney et al. .... D32/18
- D668,823 S \* 10/2012 Stickney et al. .... D32/18
- D670,052 S 10/2012 Dos Reis
- D670,053 S 10/2012 Dyson et al.
- D670,054 S 10/2012 Dyson et al.

(Continued)

**OTHER PUBLICATIONS**

Dyson et al., U.S. Office Action mailed Sep. 2, 2014, directed to U.S. Appl. No. 29/464,503; 6 pages.

(Continued)

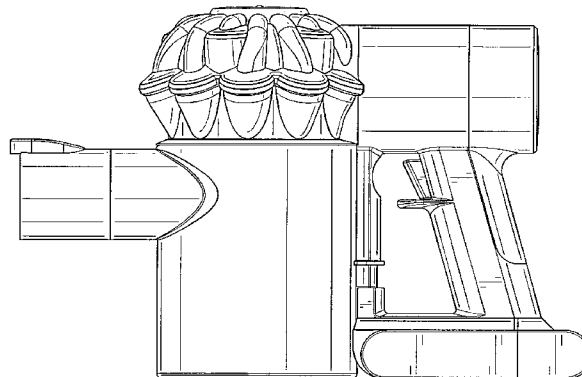
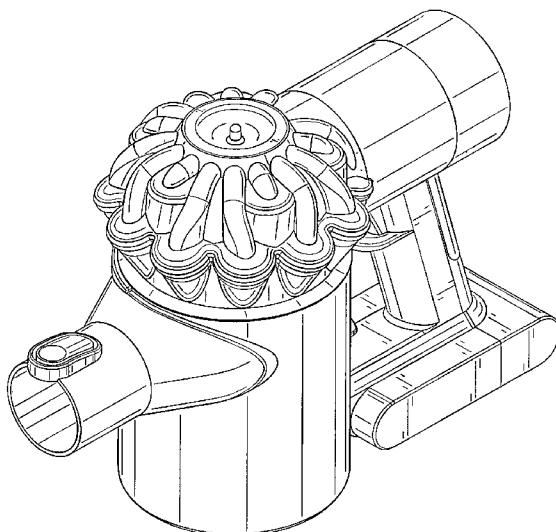
*Primary Examiner* — Ruth McInroy  
(74) *Attorney, Agent, or Firm* — Morrison & Foerster LLP

(57) **CLAIM**  
We claim the ornamental design for a part of a vacuum cleaner, as shown and described.

**DESCRIPTION**

FIG. 1 is a perspective view of a part of a vacuum cleaner showing our new design;  
FIG. 2 is a side view thereof;  
FIG. 3 is a side view of the opposite side of FIG. 2;  
FIG. 4 is a top view thereof;  
FIG. 5 is a bottom view thereof;  
FIG. 6 is a front view thereof; and,  
FIG. 7 is a rear view thereof.  
The details shown in broken lines form no part of the claimed design.

**1 Claim, 6 Drawing Sheets**



(56)

**References Cited**

U.S. PATENT DOCUMENTS

8,302,250 B2 \* 11/2012 Dyson et al. .... 15/327.1  
D676,206 S 2/2013 Dyson et al.  
8,387,204 B2 \* 3/2013 Dyson ..... 15/344  
8,474,091 B2 7/2013 Dyson et al.  
8,495,789 B2 7/2013 Nicolaou et al.  
2009/0113663 A1 5/2009 Follows et al.  
2010/0218338 A1 9/2010 McLeod  
2010/0229321 A1 \* 9/2010 Dyson et al. .... 15/344  
2010/0242208 A1 9/2010 Gammack et al.  
2011/0219571 A1 \* 9/2011 Dyson et al. .... 15/344  
2012/0272474 A1 11/2012 Follows et al.

2012/0284952 A1 11/2012 Horne  
2012/0284954 A1 11/2012 Horne  
2013/0160233 A1 6/2013 Peace et al.  
2013/0205538 A1 \* 8/2013 Thompson ..... 15/344

OTHER PUBLICATIONS

Dyson et al., U.S. Office Action mailed Aug. 27, 2014, directed to U.S. Appl. No. 29/464,493; 7 pages.  
Dyson et al., U.S. Office Action mailed Dec. 24, 2013, directed to U.S. Appl. No. 29/464,471; 8 pages.  
Dyson et al., U.S. Office Action mailed Dec. 13, 2013, directed to U.S. Appl. No. 29/464,508; 8 pages.

\* cited by examiner

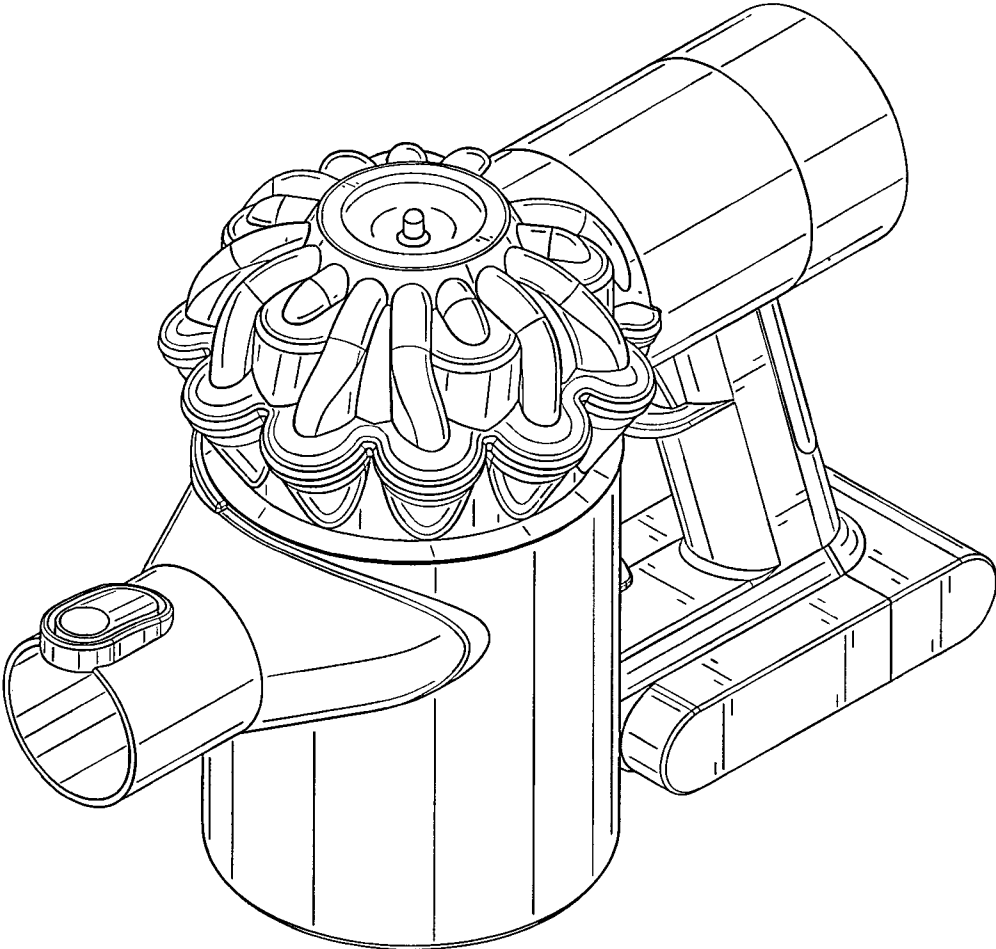


FIG. 1

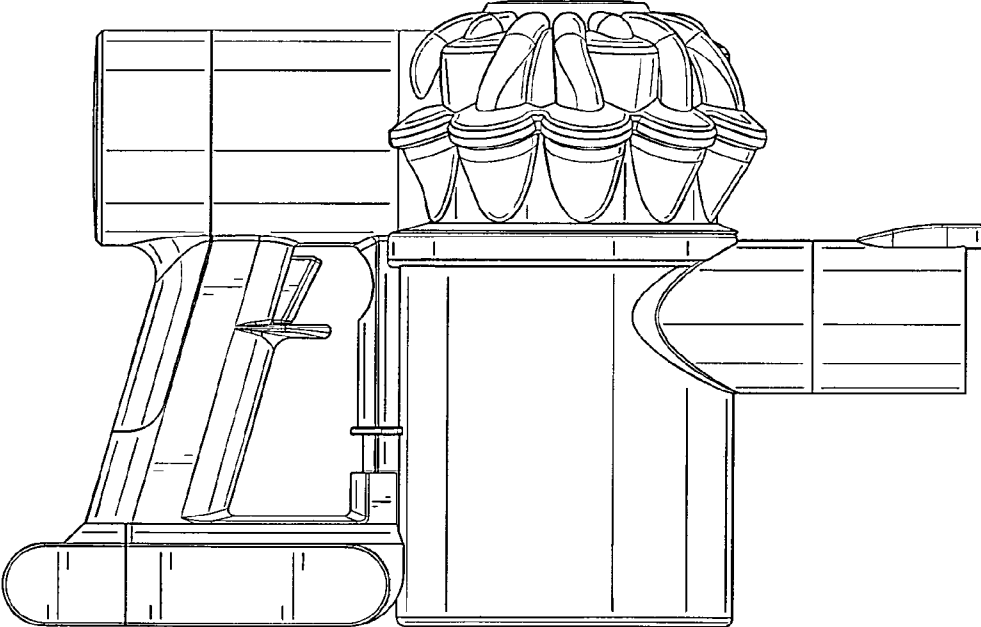


FIG. 2

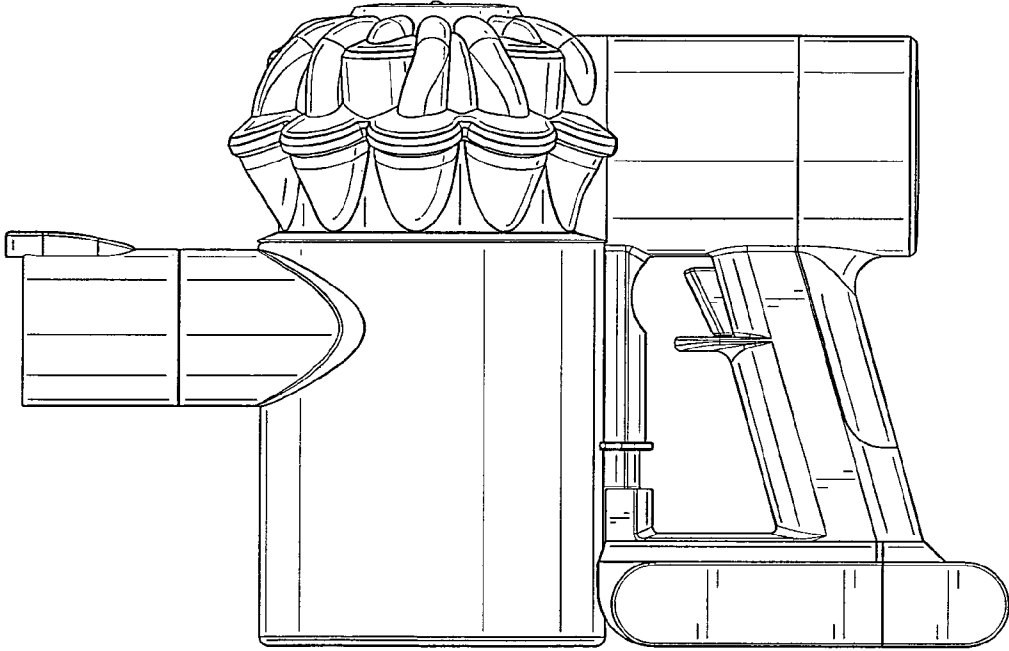


FIG. 3

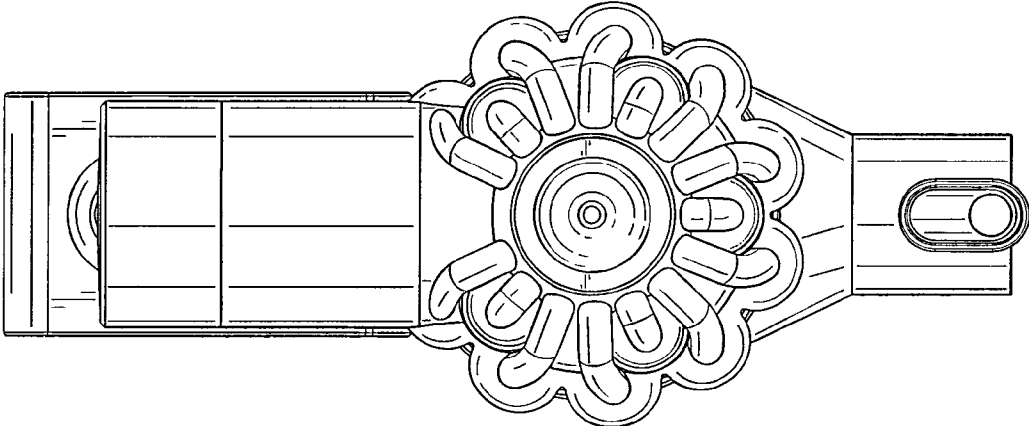


FIG. 4

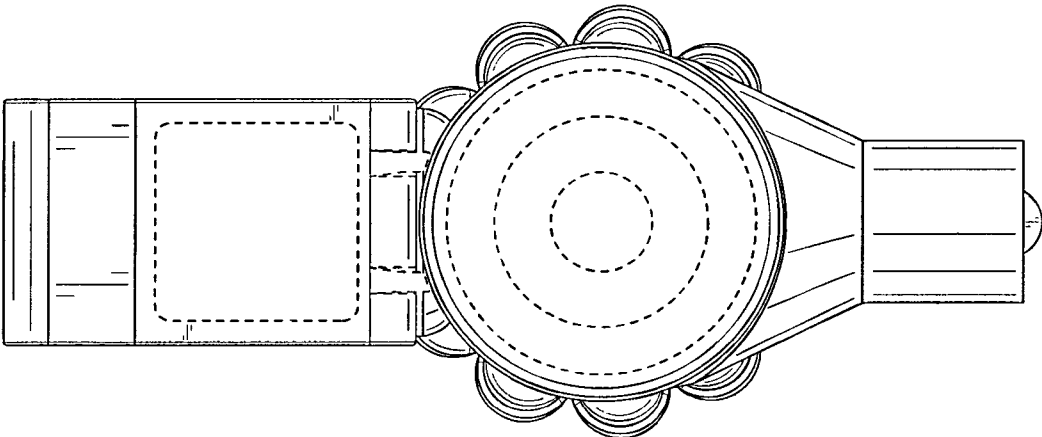


FIG. 5

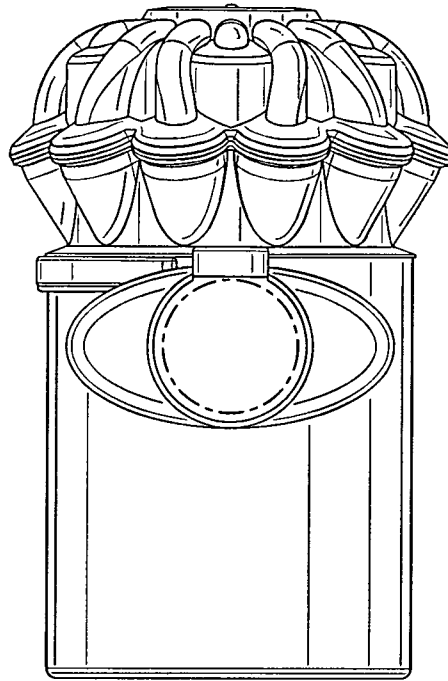


FIG. 6

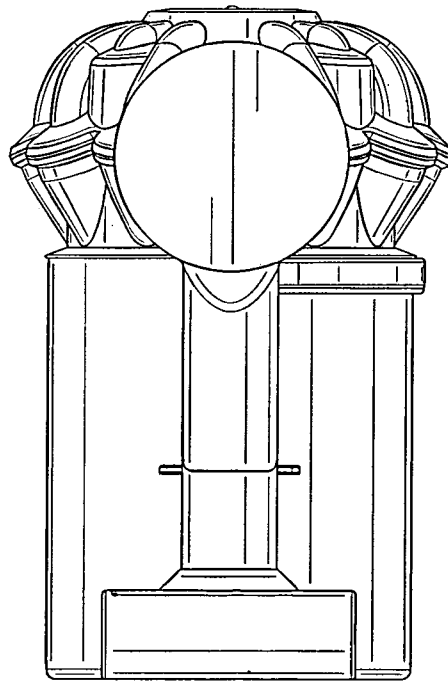


FIG. 7