



US00D586303S

(12) **United States Design Patent**
Fuwa et al.

(10) **Patent No.:** **US D586,303 S**

(45) **Date of Patent:** **** Feb. 10, 2009**

(54) **LIGHT-EMITTING DIODE UNIT FOR ILLUMINATING AN OBJECT**

(75) Inventors: **Takeshi Fuwa**, Hino (JP); **Sadato Imai**, Hachiouji (JP)

(73) Assignee: **Citizen Electronics Co., Ltd.**, Yamanashi (JP)

(**) Term: **14 Years**

(21) Appl. No.: **29/321,660**

(22) Filed: **Jul. 21, 2008**

Related U.S. Application Data

(62) Division of application No. 29/280,041, filed on May 15, 2007, now Pat. No. Des. 575,246.

Foreign Application Priority Data

Nov. 15, 2006 (JP) 2006-031359
Nov. 15, 2006 (JP) 2006-031360

(51) **LOC (9) Cl.** **13-03**

(52) **U.S. Cl.** **D13/180**

(58) **Field of Classification Search** D13/180;
D26/2; 257/79, 80, 81, 88, 89, 95, 98, 99,
257/100; 313/483, 498, 500; 362/555, 800
See application file for complete search history.

References Cited

U.S. PATENT DOCUMENTS

6,188,527 B1 2/2001 Bohn

6,501,084 B1 12/2002 Sakai
D505,663 S 5/2005 Moriyama et al.
7,021,792 B2 4/2006 Lin
D531,139 S 10/2006 Egawa et al.
7,152,999 B2 12/2006 Lin
D550,379 S 9/2007 Hoshikawa et al.
D575,246 S * 8/2008 Fuwa et al. D13/180
2005/0062059 A1 3/2005 Huang
2006/0255359 A1 11/2006 Sun et al.

* cited by examiner

Primary Examiner—Selina Sikder

(74) *Attorney, Agent, or Firm*—Browdy and Neimark, P.L.L.C.

(57) **CLAIM**

The ornamental design for a light-emitting diode unit for illuminating an object, as shown.

DESCRIPTION

FIG. 1 is a perspective view of a light-emitting diode unit for illuminating an object in accordance with the present design, as viewed from above;

FIG. 2 is a perspective view thereof, as viewed from below;

FIG. 3 is a front elevational view thereof;

FIG. 4 is a rear elevational view thereof;

FIG. 5 is a right side elevational view thereof;

FIG. 6 is a left side elevational view thereof;

FIG. 7 is a top plan view thereof; and,

FIG. 8 is a bottom plan view thereof.

1 Claim, 4 Drawing Sheets

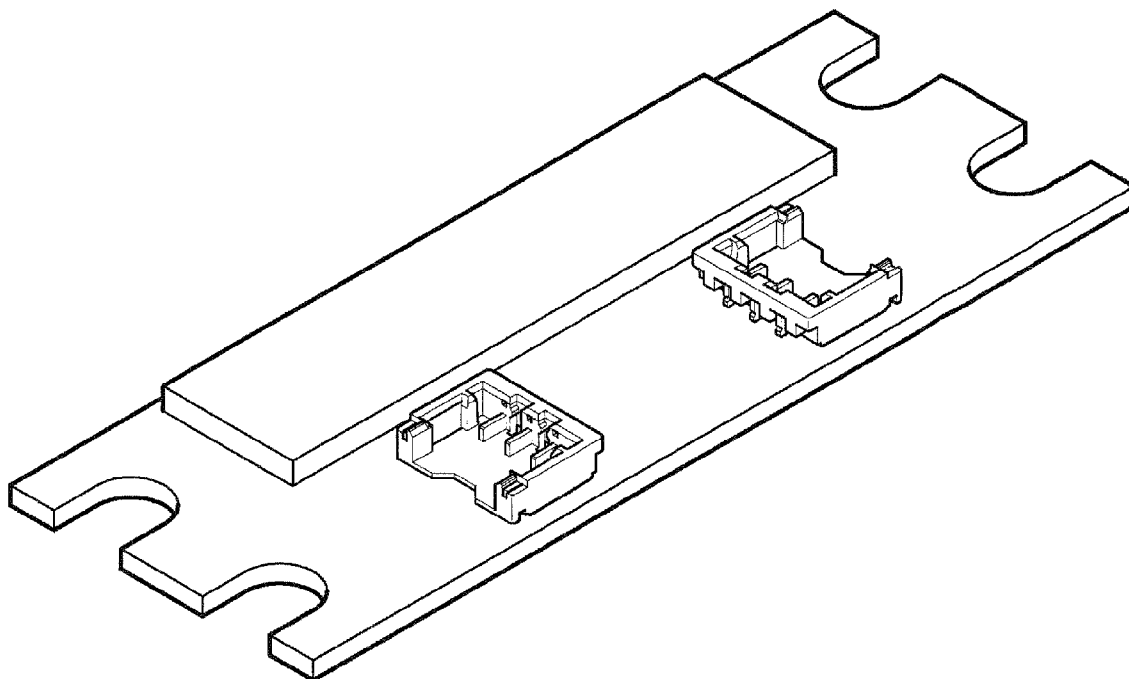


Fig. 1

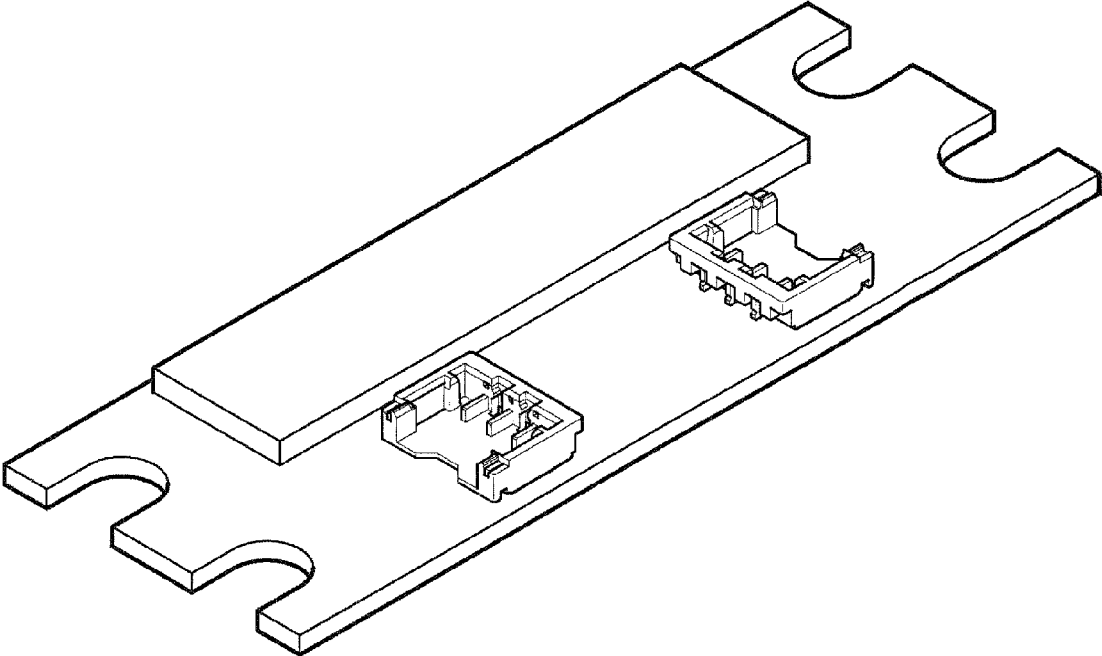


Fig. 2

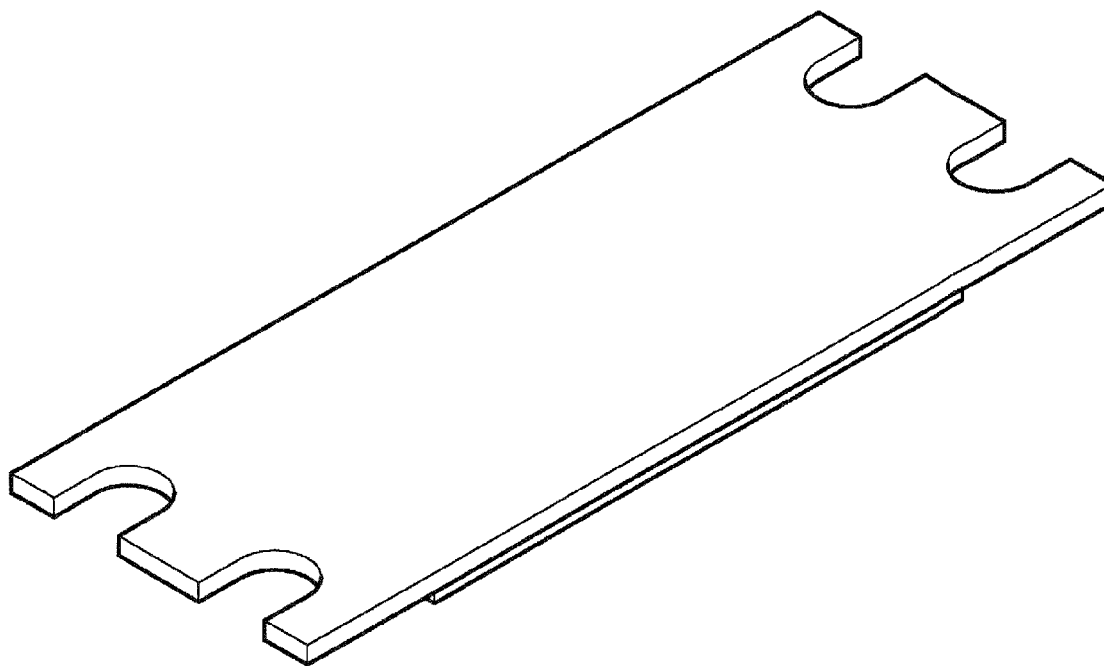


Fig. 3



Fig. 4

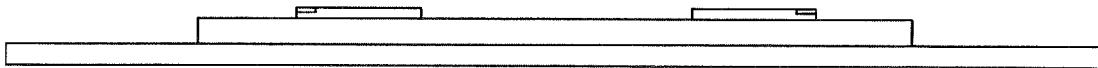


Fig. 5

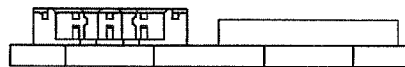


Fig. 6

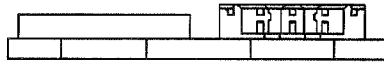


Fig. 7

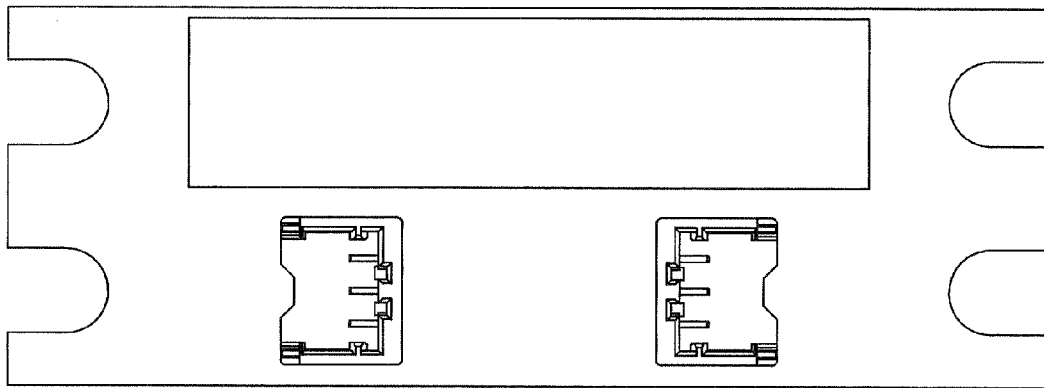


Fig. 8

