



US00D523397S

(12) **United States Design Patent**
Maglionico et al.

(10) **Patent No.:** **US D523,397 S**

(45) **Date of Patent:** **** Jun. 20, 2006**

(54) **RECHARGABLE BATTERY PACK FOR PROVIDING UNINTERRUPTED POWER**

(76) Inventors: **Richard Maglionico**, 175 Pine Cone Dr., Lehighton, PA (US) 18235; **Sharyl J. Maglionico**, 175 Pine Cone Dr., Lehighton, PA (US) 18235

(**) Term: **14 Years**

(21) Appl. No.: **29/215,021**

(22) Filed: **Oct. 14, 2004**

(51) **LOC (8) Cl.** **13-03**

(52) **U.S. Cl.** **D13/137.2**

(58) **Field of Classification Search** D13/123, D13/133, 137.1-139.8, 160; 174/48-49, 174/53-58; 439/105-107, 535-536, 650-655, 439/692

See application file for complete search history.

(56) **References Cited**

U.S. PATENT DOCUMENTS

D195,955 S	8/1963	Carlson	
3,119,895 A	* 1/1964	Pahner	174/51
3,530,337 A	9/1970	Moore	
D352,667 S	* 11/1994	Chen	D10/40
D354,943 S	* 1/1995	Williams et al.	D13/137.1

5,650,771 A	7/1997	Lee	
5,663,711 A	9/1997	Sanders et al.	
D405,760 S	* 2/1999	Yu	D13/139.3
D432,990 S	* 10/2000	Stekelenburg	D13/137.3
6,180,878 B1	* 1/2001	Gretz	174/48
6,309,248 B1	* 10/2001	King	439/535
6,486,789 B1	11/2002	Germagian et al.	
6,593,723 B1	7/2003	Johnson	
D486,792 S	* 2/2004	Stoughton	D13/137.2

* cited by examiner

Primary Examiner—Alan P. Douglas
Assistant Examiner—Rosemary K. Tarcza

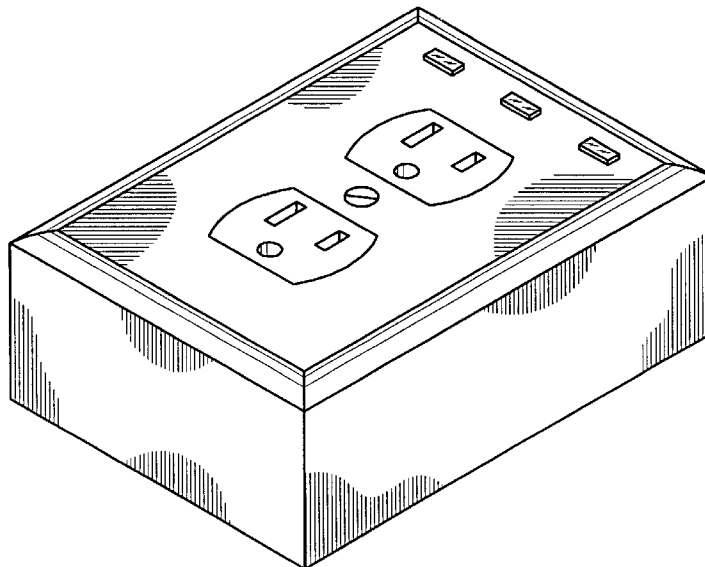
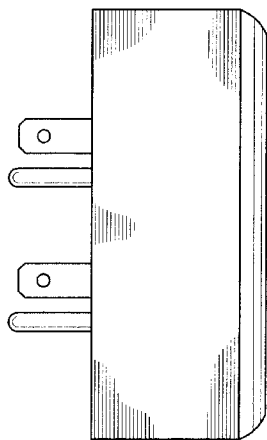
(57) **CLAIM**

The ornamental design for a rechargeable battery pack for providing uninterrupted power, as shown and described.

DESCRIPTION

FIG. 1 is a front elevational view of a rechargeable battery pack for providing uninterrupted power showing our new design;
FIG. 2 is a rear elevational view thereof;
FIG. 3 is a left side elevational view thereof;
FIG. 4 is a right side elevational view thereof;
FIG. 5 is a top plan view thereof; and,
FIG. 6 is a perspective view thereof.

1 Claim, 3 Drawing Sheets



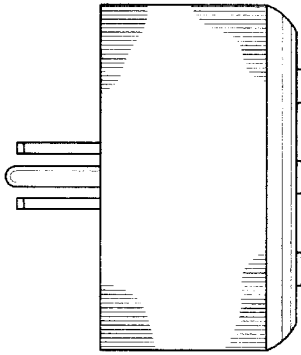


FIG. 5

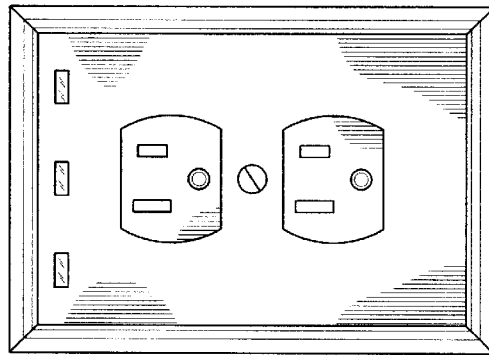


FIG. 1

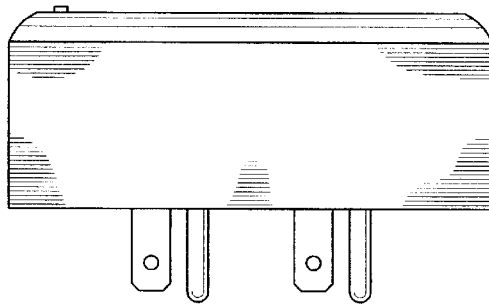


FIG. 3

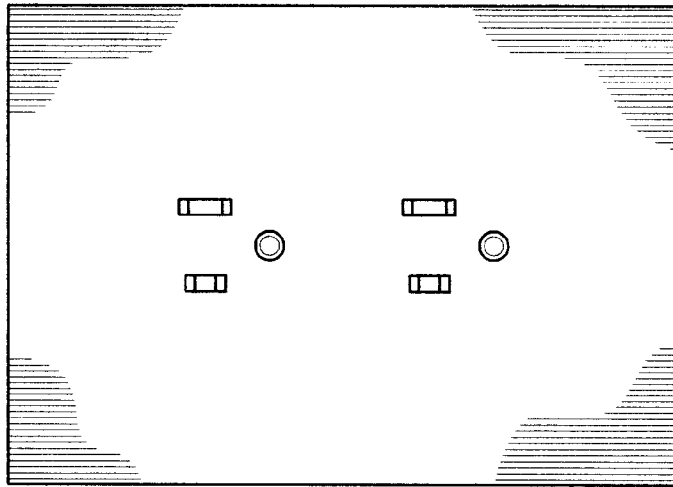


FIG. 2

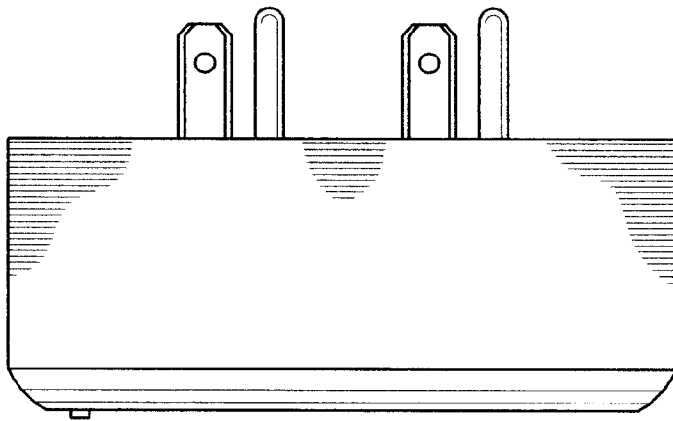


FIG. 4

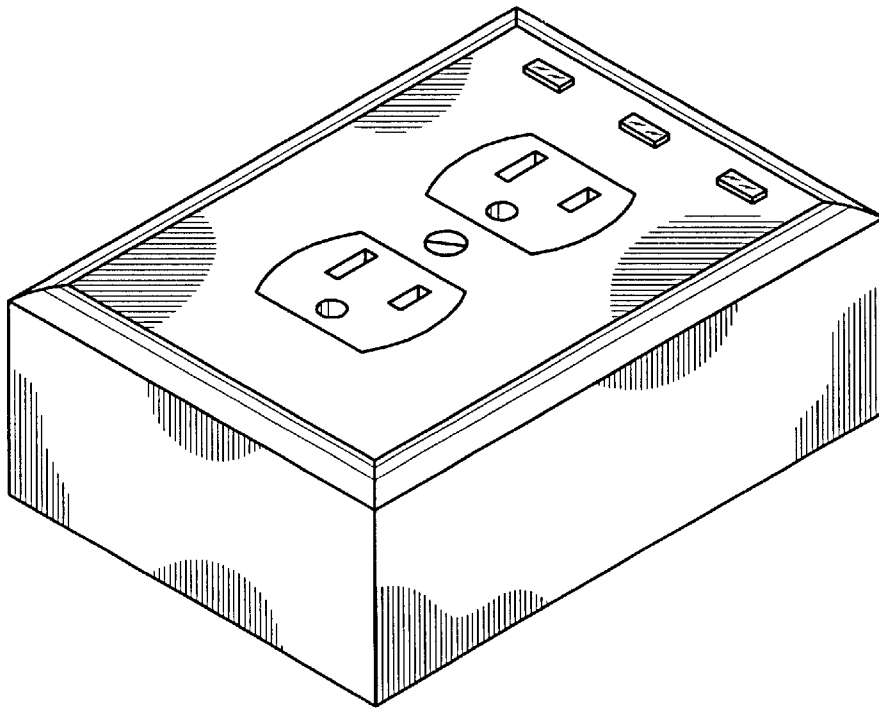


FIG.6