



US00D930461S

(12) **United States Design Patent**
Wedding et al.

(10) **Patent No.:** **US D930,461 S**

(45) **Date of Patent:** **** Sep. 14, 2021**

- (54) **CABLE HANGER**
- (71) Applicant: **Cambria County Association for the Blind & Handicapped**, Johnstown, PA (US)
- (72) Inventors: **Timothy Joseph Wedding**, Johnstown, PA (US); **Paul Edward Martin**, Johnstown, PA (US)
- (73) Assignee: **Cambria County Association for the Blind and Handicapped**, Johnstown, PA (US)
- (**) Term: **15 Years**
- (21) Appl. No.: **29/780,259**
- (22) Filed: **Apr. 23, 2021**

5,176,302	A	*	1/1993	Smith	B44D 3/14
						224/672
D373,072	S	*	8/1996	Durante	D8/367
D404,127	S	*	1/1999	Lammers	D24/141
5,996,955	A	*	12/1999	Chen	F16B 12/32
						248/249
D422,888	S	*	4/2000	Oутten	D8/367
D458,116	S	*	6/2002	Roethler	D8/367
D489,963	S	*	5/2004	Mazooji et al.	D8/370
D499,956	S	*	12/2004	Wall	D8/370
D504,934	S	*	5/2005	Amburgey	D22/149
D532,074	S	*	11/2006	Travis, Sr.	D22/149
D546,147	S	*	7/2007	Cullen	D8/16
D552,980	S	*	10/2007	Svedberg	D8/395
D554,980	S	*	11/2007	Mihelis	D8/356
D566,538	S	*	4/2008	Wrase	D8/395
D585,266	S	*	1/2009	Meyers	D8/370
7,494,095	B2	*	2/2009	Walker et al.	248/48.2
D587,470	S	*	3/2009	Croisdale	D6/317
D599,646	S	*	9/2009	Meyers	D8/370

(Continued)

Primary Examiner — Cynthia R Underwood
(74) *Attorney, Agent, or Firm* — Eckert Seamans Cherin & Mellott, LLC

Related U.S. Application Data

- (63) Continuation of application No. 29/717,780, filed on Dec. 19, 2019, now Pat. No. Des. 919,418.
- (51) **LOC (13) Cl.** **08-05**
- (52) **U.S. Cl.**
USPC **D8/367**
- (58) **Field of Classification Search**
USPC D8/367, 354, 349, 356, 395; D12/162; 224/248, 268, 904
CPC ... A47G 29/083; F16B 45/00; A63B 21/0557; B60P 7/0823
See application file for complete search history.

(57) **CLAIM**

The ornamental design for a cable hanger, as shown and described.

DESCRIPTION

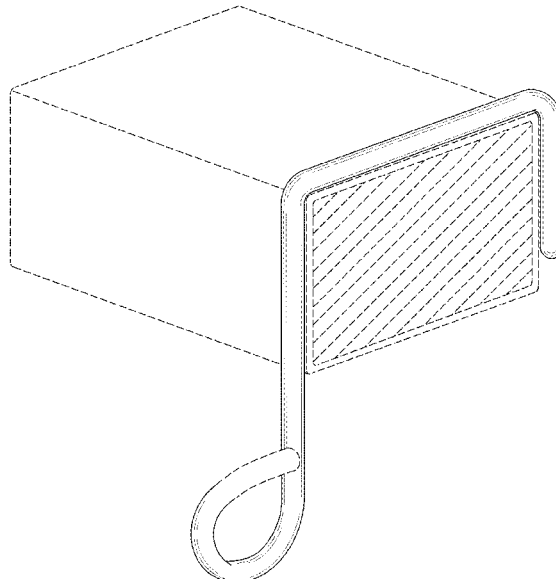
FIG. 1 is an first isometric view of the cable hanger; FIG. 2 is a second isometric view of the cable hanger; FIG. 3 is a top view of the cable hanger; FIG. 4 is a bottom view of the cable hanger; FIG. 5 is a left view of the cable hanger; FIG. 6 is a right view of the cable hanger; FIG. 7 is a back view of the cable hanger; and, FIG. 8 is a front view of the cable hanger. The broken lines in the drawings depict environmental subject matter only and form no part of the claimed design.

(56) **References Cited**

U.S. PATENT DOCUMENTS

D281,950	S	*	12/1985	Sachs	D8/370
D283,787	S	*	5/1986	Chap	D8/370
4,714,221	A	*	12/1987	Cawrey	A47F 5/0823
						248/220.42

1 Claim, 6 Drawing Sheets



(56)

References Cited

U.S. PATENT DOCUMENTS

D600,102	S *	9/2009	Larkin	D8/370
7,677,504	B2 *	3/2010	Hutchinson	E04D 13/076
					248/48.2
7,757,996	B2 *	7/2010	Jacobs	248/64
7,823,852	B1 *	11/2010	Reno	248/302
D629,291	S *	12/2010	Veilleux	D8/370
D631,332	S *	1/2011	Bauer et al.	D8/367
D632,952	S *	2/2011	Dablemont	D8/367
D644,088	S *	8/2011	Gallaty	D8/354
D648,208	S *	11/2011	Platt	D8/367
8,162,361	B2 *	4/2012	Biddington	F24B 15/002
					294/14
D661,574	S *	6/2012	Platt	D8/367
D668,938	S *	10/2012	Morales	D8/367
D672,227	S *	12/2012	Hendricks	D8/394
D673,031	S *	12/2012	Hendricks	D8/394
D679,095	S *	4/2013	Williams	D3/328
D687,291	S *	8/2013	Hendricks	D8/394
D698,105	S *	1/2014	Huster	D30/199
D699,556	S *	2/2014	Hendricks	D8/394
D753,984	S *	4/2016	Combs	D8/354
D801,157	S *	10/2017	Turbenson	D8/367
D801,158	S *	10/2017	Turbenson	D8/367
D801,159	S *	10/2017	Turbenson	D8/367
D865,497	S *	11/2019	Williamson	D8/367
D874,906	S *	2/2020	Ruddick	D8/356
2002/0000504	A1 *	1/2002	Bayne	F21S 4/10
					248/302

* cited by examiner

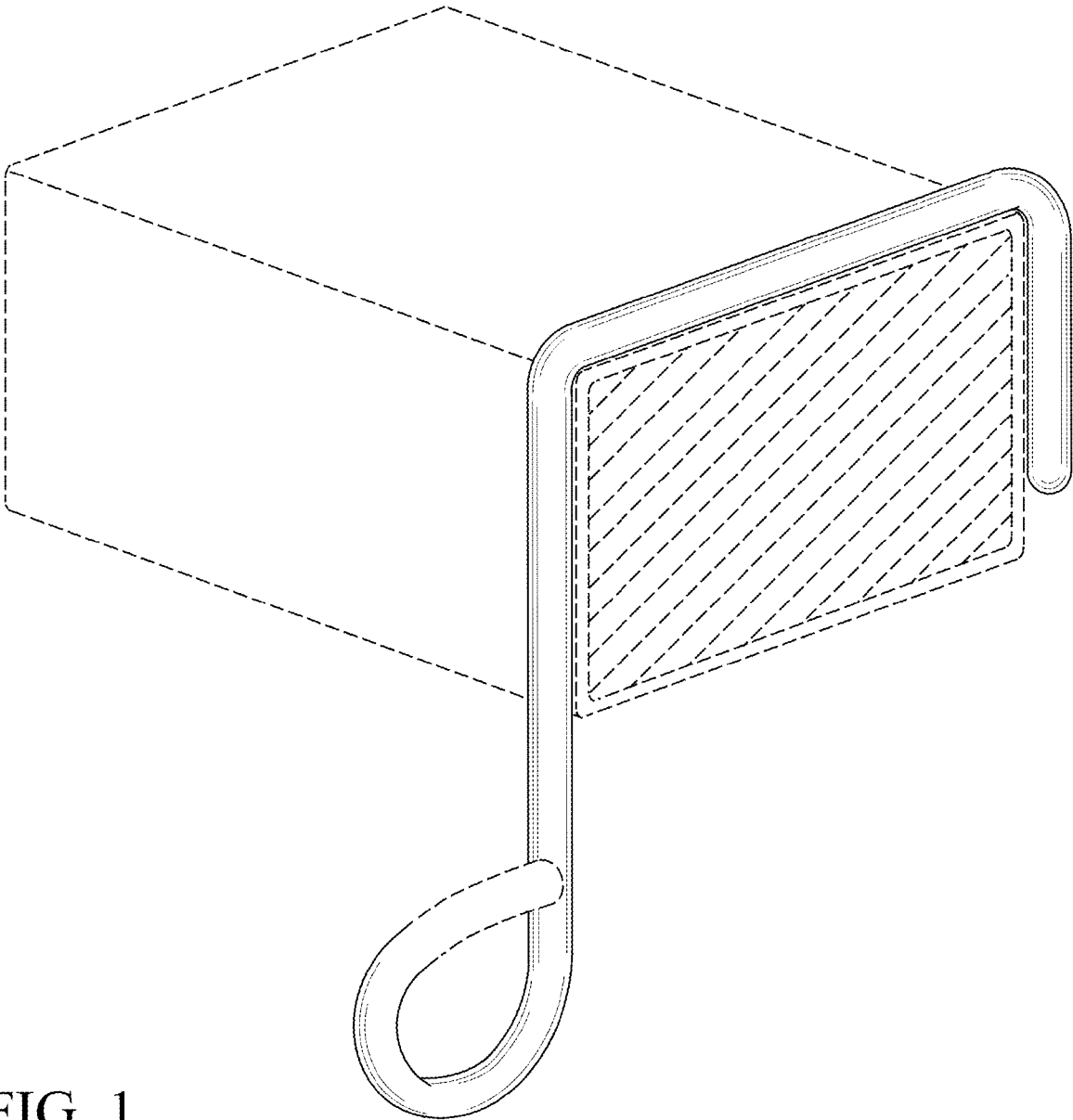


FIG. 1

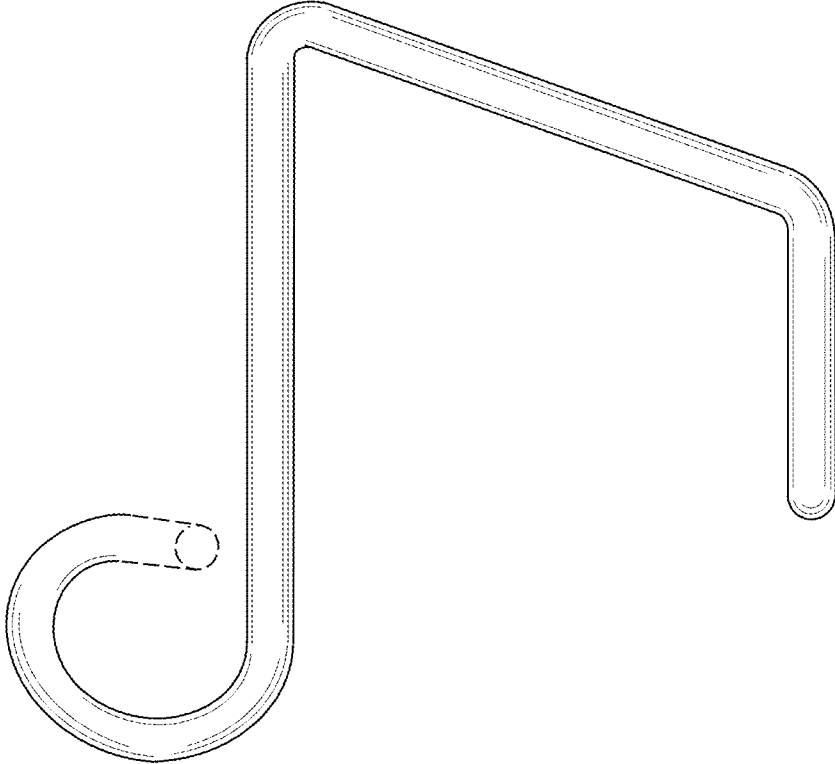


FIG. 2

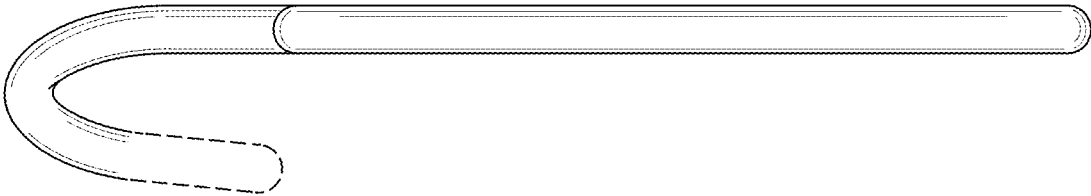


FIG. 3

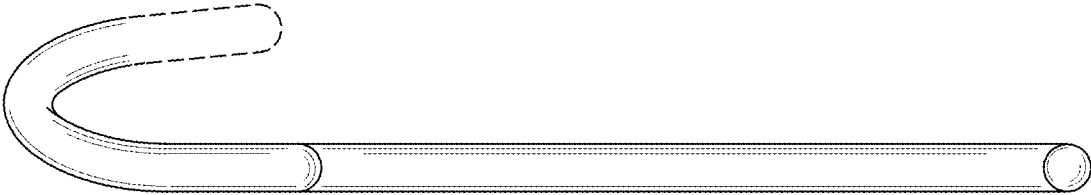


FIG. 4

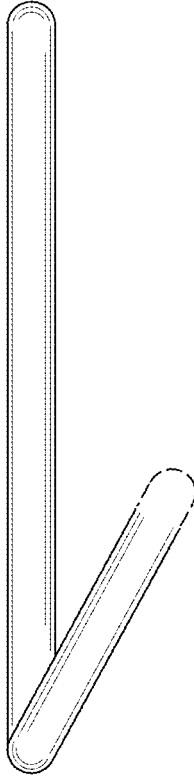


FIG. 5

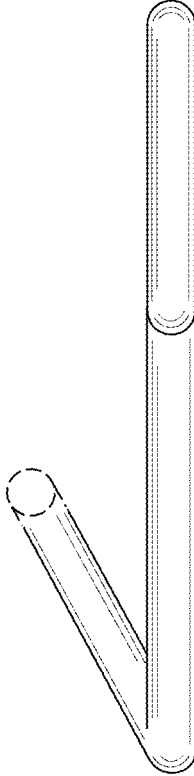


FIG. 6

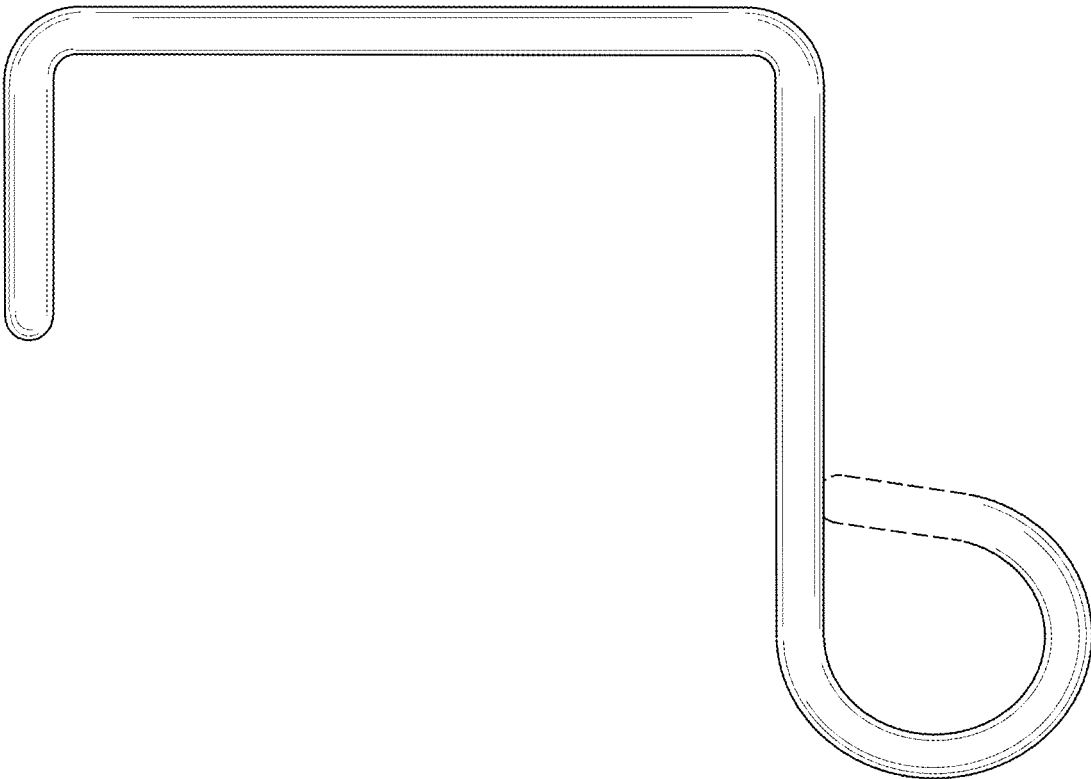


FIG. 7

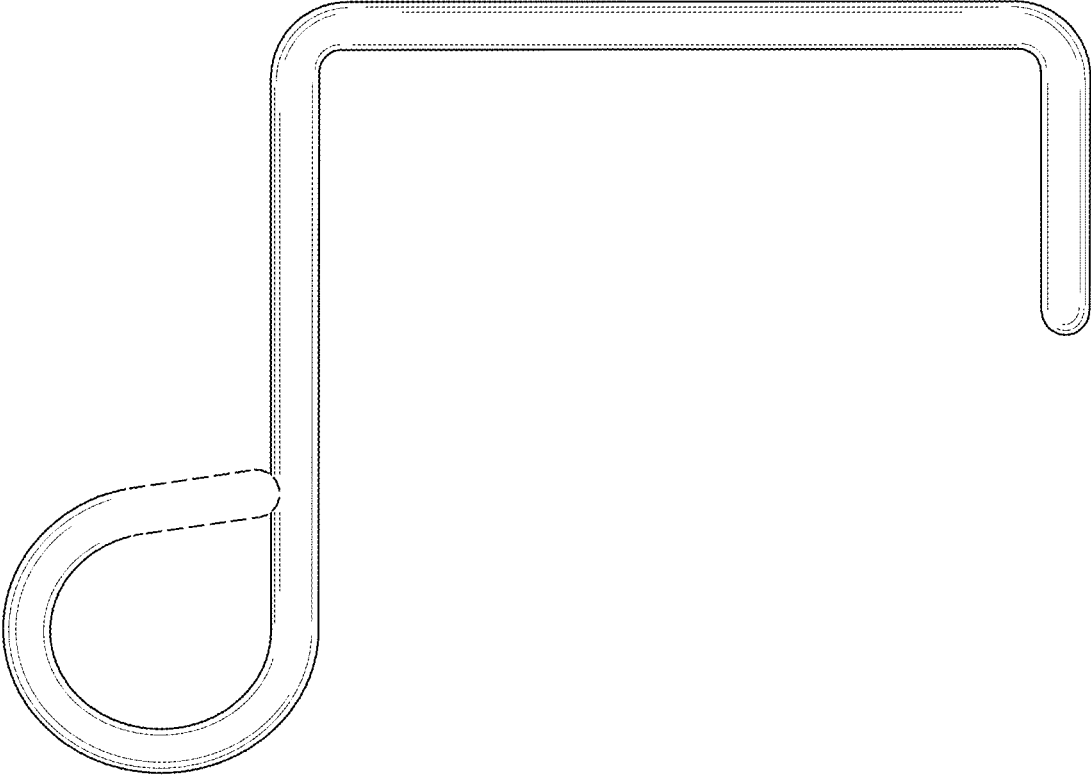


FIG. 8