



US00D913231S

(12) **United States Design Patent**
Zugen et al.

(10) **Patent No.:** **US D913,231 S**

(45) **Date of Patent:** **** Mar. 16, 2021**

(54) **BATTERY ATTACHMENT INTERFACE FOR A TOOL**

D831,566 S * 10/2018 Nommensen D13/107
D836,552 S * 12/2018 Crowe D13/119
D853,216 S * 7/2019 Saunders D8/68
D853,813 S * 7/2019 Lagman D8/69

(71) Applicant: **Husqvarna AB**, Huskvarna (SE)

* cited by examiner

(72) Inventors: **Ni Zugen**, Suzhou (CN); **Pan Zhonghui**, Suzhou (CN); **Zhu Lihai**, Suzhou (CN)

Primary Examiner — Jennifer O King

(74) *Attorney, Agent, or Firm* — Burr & Forman, LLP

(73) Assignee: **HUSQVARNA AB**, Huskvarna (SE)

(57) **CLAIM**

(**) Term: **15 Years**

The ornamental design for the battery attachment interface for a tool, as shown and described.

(21) Appl. No.: **29/628,589**

(22) Filed: **Dec. 6, 2017**

DESCRIPTION

(51) **LOC (13) Cl.** **13-02**

(52) **U.S. Cl.**

USPC **D13/119**; D13/107

(58) **Field of Classification Search**

USPC D13/103–106, 110, 119–121, 184;
D14/341; D26/37

CPC H01M 2/0202; H01M 2/1077; H01M 2/04;
H01M 2/0404; H01M 2/06; H01M
2/1016; H01M 2/1022

See application file for complete search history.

FIG. 1 is a perspective view of a battery attachment interface for a tool;

FIG. 2 is a perspective top view of the battery attachment interface for a tool of FIG. 1;

FIG. 3 is a left side view of the battery attachment interface for a tool of FIG. 1, the right side view being a mirror image thereof;

FIG. 4 is a front view of the battery attachment interface for a tool of FIG. 1;

FIG. 5 is a rear view of the battery attachment interface for a tool of FIG. 1;

FIG. 6 is a cross-sectional view of the battery attachment interface for a tool of FIG. 1, taken along the line 6-6 of FIG. 1; and,

FIG. 7 is an enlarged view of the battery attachment interface for a tool of FIG. 1.

The broken lines of the battery attachment interface for a tool in FIGS. 1-7 are illustrative of the visible environmental structure of the battery attachment interface for a tool and form no part of the claimed design.

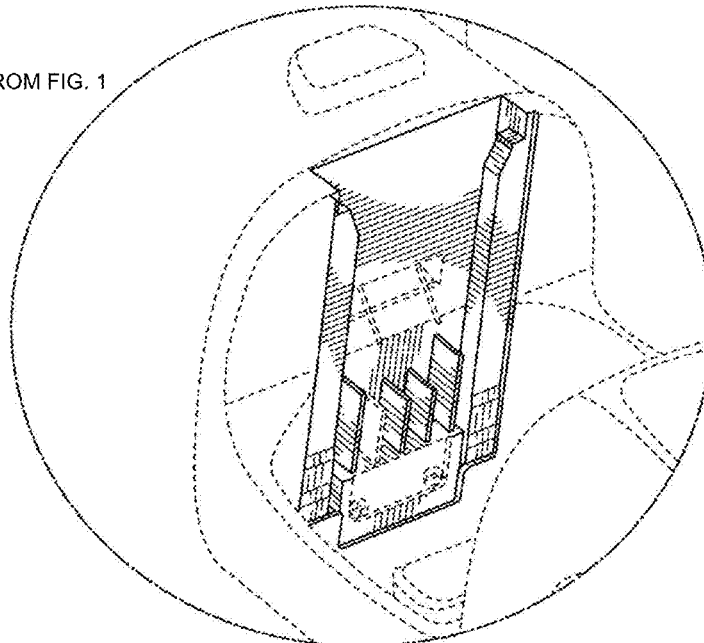
(56) **References Cited**

U.S. PATENT DOCUMENTS

D668,516 S * 10/2012 Landberg D8/8
D692,380 S * 10/2013 Tirone D13/119
D698,312 S * 1/2014 Miller D13/119
D714,721 S * 10/2014 Zhang D13/119
D718,705 S * 12/2014 Naksen D13/103
D770,377 S * 11/2016 Kondo D13/103
D800,656 S * 10/2017 Marino D13/119
D801,917 S * 11/2017 Jiang D13/103
D829,646 S * 10/2018 Tse D13/103

1 Claim, 6 Drawing Sheets

FROM FIG. 1



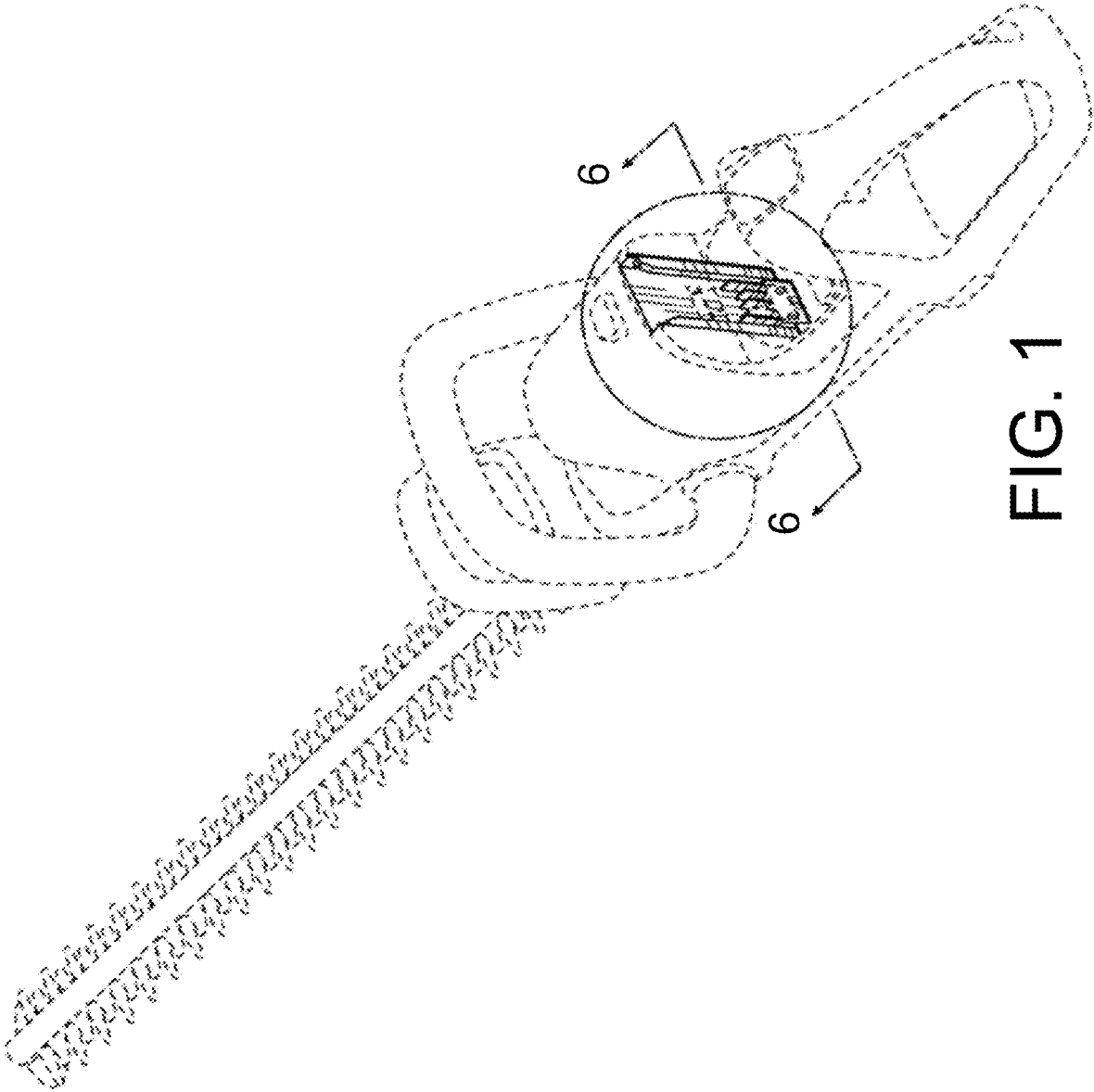


FIG. 1

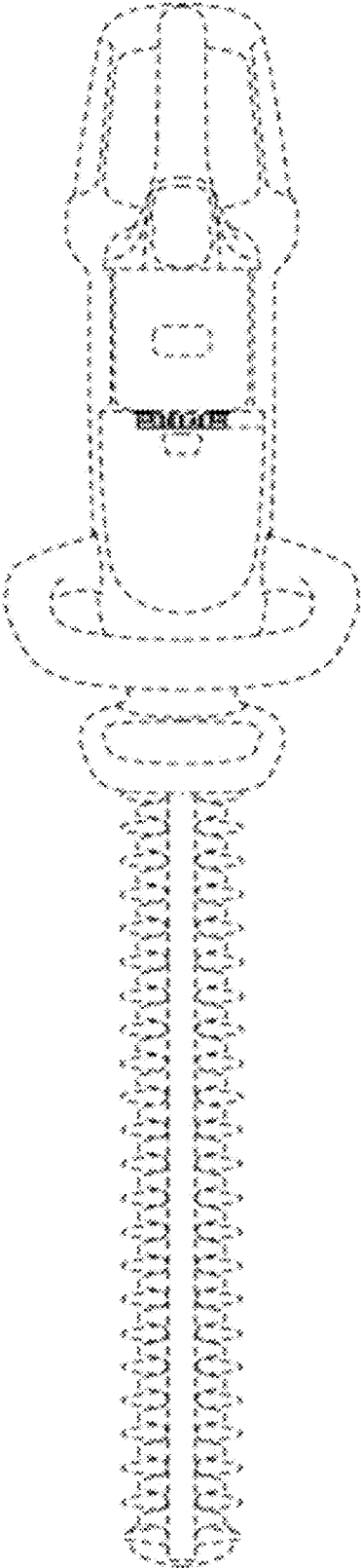


FIG. 2

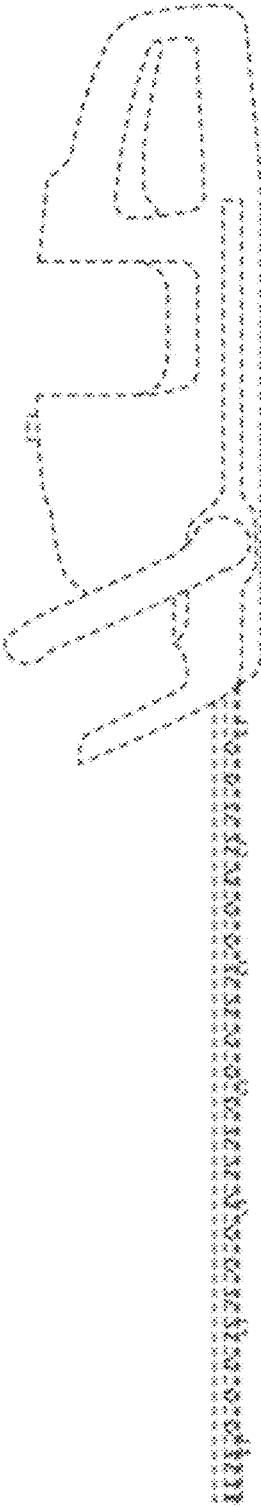


FIG. 3

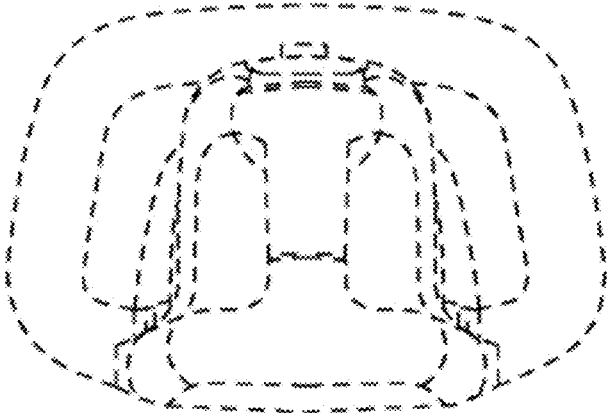


FIG. 4

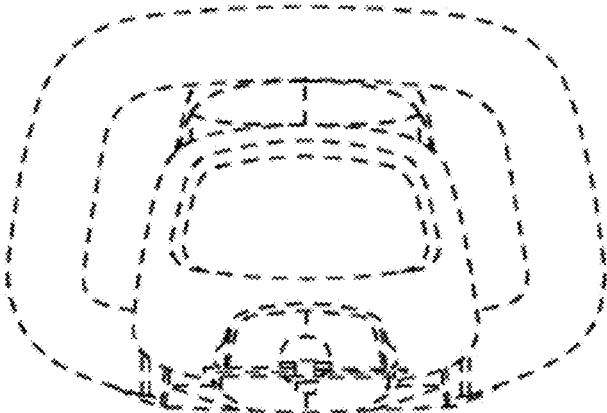


FIG. 5

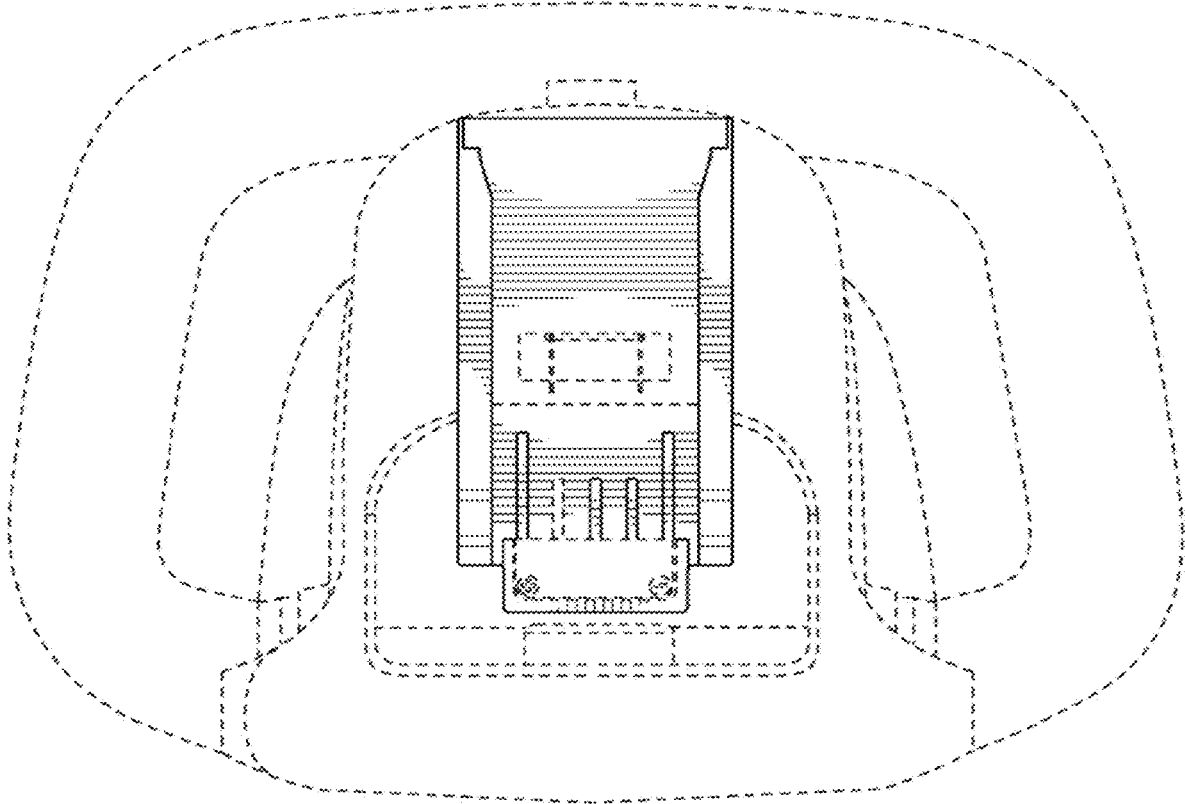


FIG. 6

FROM FIG. 1

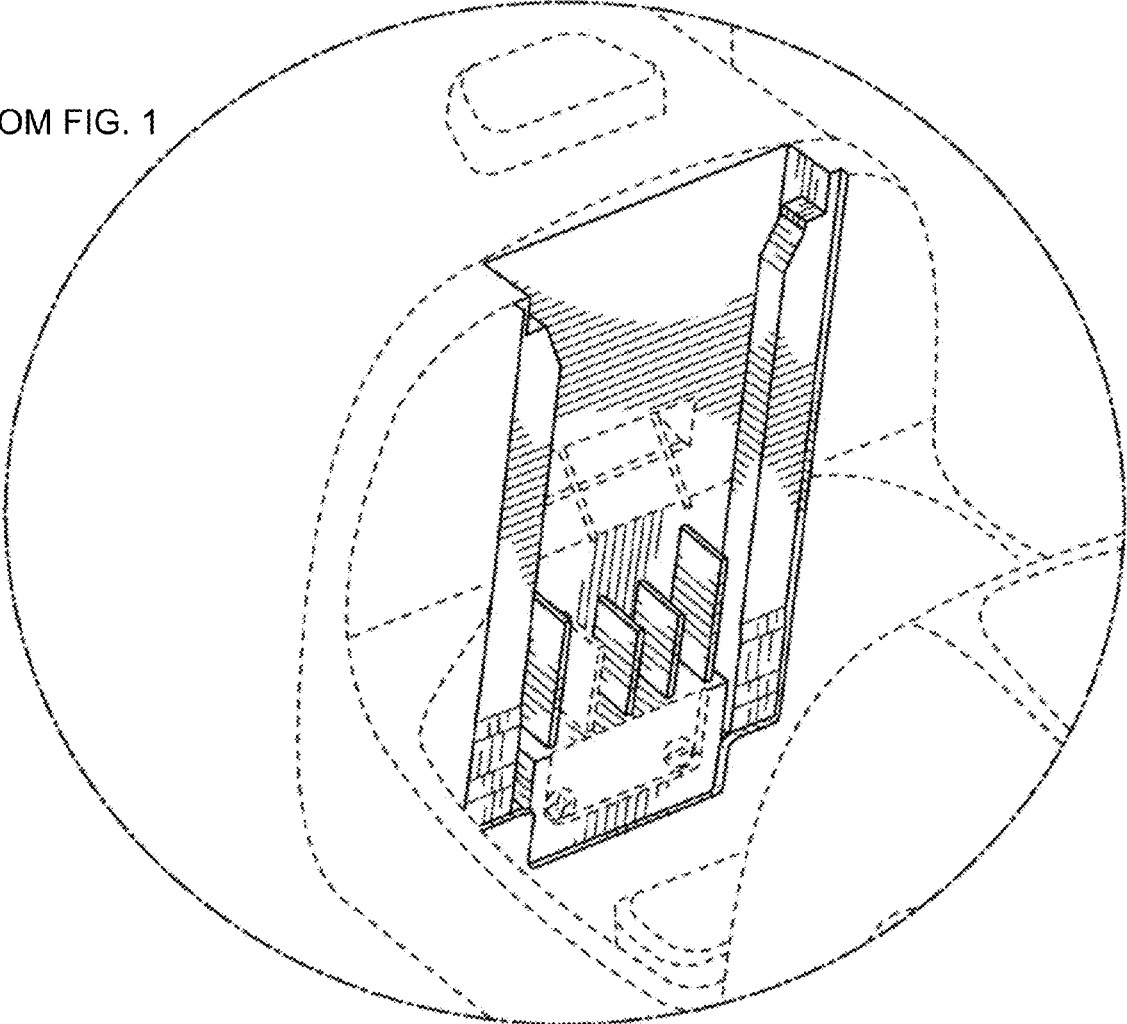


FIG. 7