



US00D406322S

United States Patent [19]
Pitsch

[11] **Patent Number:** **Des. 406,322**
[45] **Date of Patent:** ****Mar. 2, 1999**

[54] **FAUCET HANDLE**

[75] Inventor: **Walter Pitsch**, Franklin Park, N.J.

[73] Assignee: **American Standard, Inc.**, Piscataway, N.J.

[**] Term: **14 Years**

[21] Appl. No.: **86,509**

[22] Filed: **Apr. 14, 1998**

[51] **LOC (6) Cl.** **23-01**

[52] **U.S. Cl.** **D23/252**

[58] **Field of Search** D23/238-243,
D23/250-257; D8/300-310; 4/675-678;
16/110 R-125

[56] **References Cited**

U.S. PATENT DOCUMENTS

D. 219,781	1/1971	Niemann	D23/252
D. 362,489	9/1995	Moon	D23/252
D. 366,519	1/1996	Lobermeier	D23/252
D. 371,430	7/1996	Moon	D23/252
D. 389,229	1/1998	Kolada	D23/252

D. 391,337	2/1998	Hill et al.	D23/250
D. 397,412	8/1998	Slothower et al.	D23/250
D. 397,425	8/1998	Paredes et al.	D23/250
D. 398,039	9/1998	Ku	D23/252
D. 398,378	9/1998	Lord	D23/252
3,533,436	10/1970	Parkinson	137/359
5,368,071	11/1994	Hsieh	137/625.41
5,660,208	8/1997	Tres Casas	137/625.17

Primary Examiner—Louis S. Zarfaz
Assistant Examiner—Eric Watterson

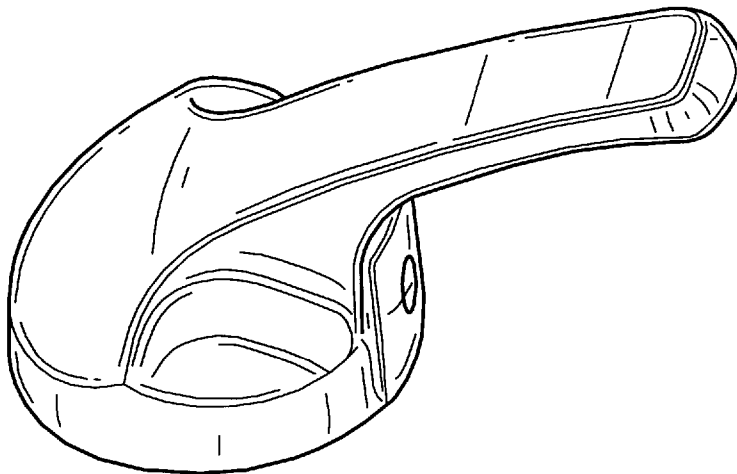
[57] **CLAIM**

The ornamental design for a faucet handle, as shown and described.

DESCRIPTION

FIG. 1 is a top, front, and left side perspective view of a faucet handle showing my new design; FIG. 2 is a front elevational view thereof; FIG. 3 is a rear elevational view thereof; FIG. 4 is a top plan view thereof; FIG. 5 is a bottom plan view thereof; and, FIG. 6 is a left side elevational view, the opposite side being a mirror image thereof.

1 Claim, 4 Drawing Sheets



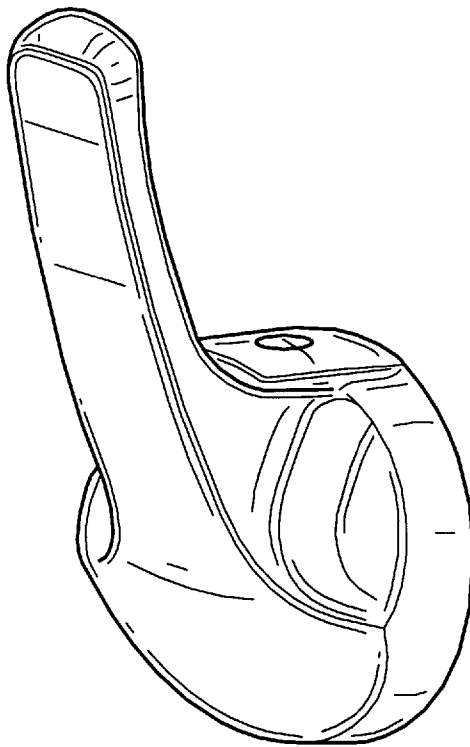


FIG. 1

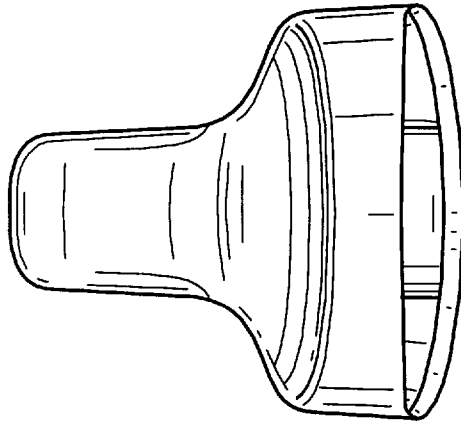


FIG. 3

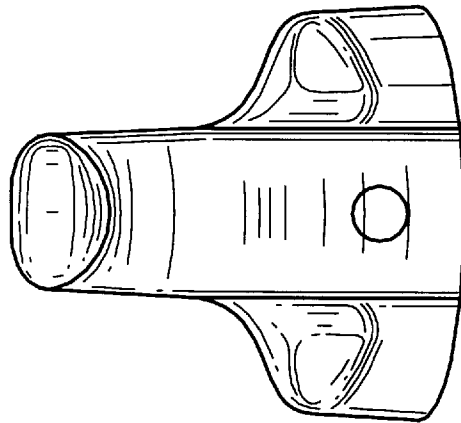


FIG. 2

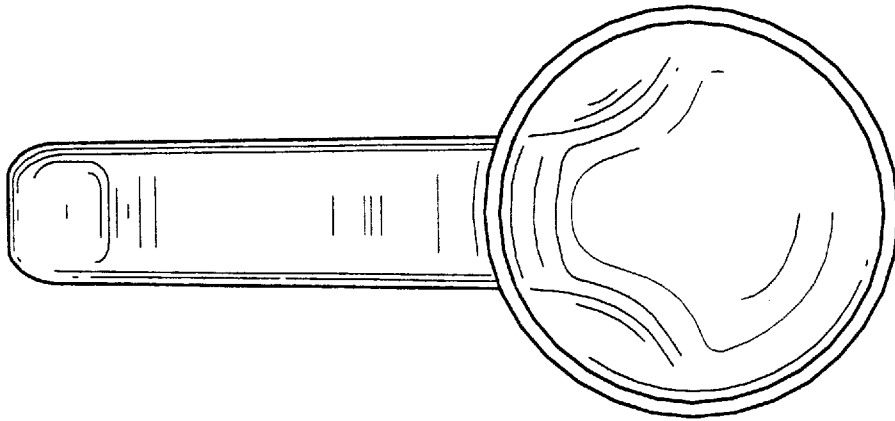


FIG. 5

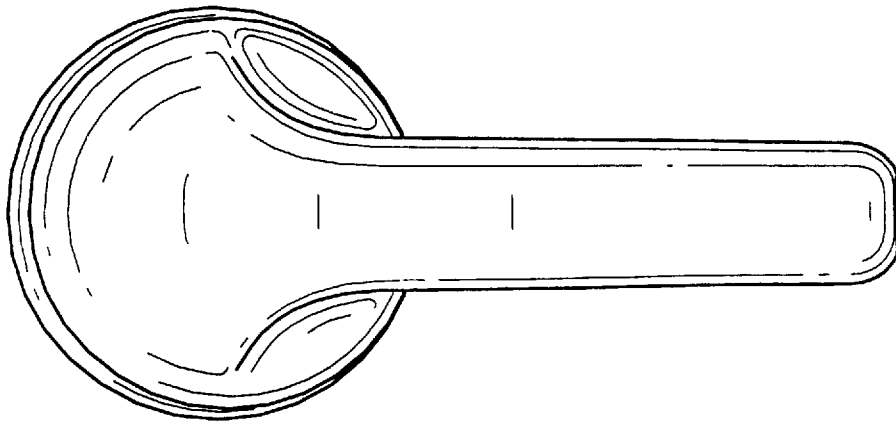


FIG. 4

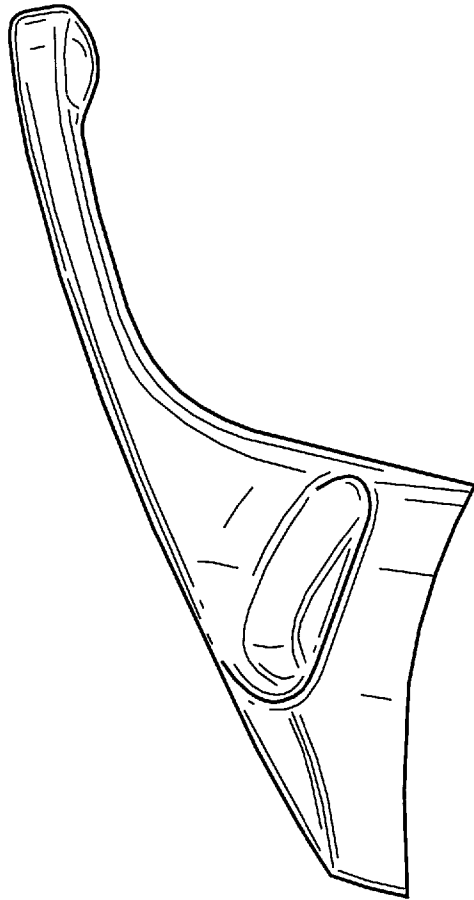


FIG. 6