

(19) World Intellectual Property Organization
International Bureau



(43) International Publication Date
30 June 2011 (30.06.2011)

PCT

(10) International Publication Number
WO 2011/076437 A3

- (51) **International Patent Classification:**
B60L 5/00 (2006.01) *B60M 1/34* (2006.01)
E01B 21/00 (2006.01)
- (21) **International Application Number:**
PCT/EP2010/007989
- (22) **International Filing Date:**
21 December 2010 (21.12.2010)
- (25) **Filing Language:** English
- (26) **Publication Language:** English
- (30) **Priority Data:**
0922465.0 21 December 2009 (21.12.2009) GB
- (71) **Applicant (for all designated States except US):** BOMBARDIER TRANSPORTATION GMBH [DE/DE];
Schöneberger Ufer 1, 10785 Berlin (DE).
- (72) **Inventors; and**
- (75) **Inventors/Applicants (for US only):** WORONOWICZ, Konrad [CA/CA]; 350 Wellington Street, Kingston, Ontario K7K 7J7 (CA). BAADÉ, Michael [DE/CA]; 100 McDonough Cres, Amherstview, ON K7N0A4 (CA). SIEDMIOGRODZKI, Kris [CA/CA]; 20 Morden Cres, Amherstview, Ontario K7N 1 KZ (CA).
- (74) **Agent:** BRESSEL UND PARTNER; Park Kolonnaden am Potsdamer Platz, Potsdamer Platz 10, 10785 Berlin (DE).

- (81) **Designated States (unless otherwise indicated, for every kind of national protection available):** AE, AG, AL, AM, AO, AT, AU, AZ, BA, BB, BG, BH, BR, BW, BY, BZ, CA, CH, CL, CN, CO, CR, CU, CZ, DE, DK, DM, DO, DZ, EC, EE, EG, ES, FI, GB, GD, GE, GH, GM, GT, HN, HR, HU, ID, IL, IN, IS, JP, KE, KG, KM, KN, KP, KR, KZ, LA, LC, LK, LR, LS, LT, LU, LY, MA, MD, ME, MG, MK, MN, MW, MX, MY, MZ, NA, NG, NI, NO, NZ, OM, PE, PG, PH, PL, PT, RO, RS, RU, SC, SD, SE, SG, SK, SL, SM, ST, SV, SY, TH, TJ, TM, TN, TR, TT, TZ, UA, UG, US, UZ, VC, VN, ZA, ZM, ZW.
- (84) **Designated States (unless otherwise indicated, for every kind of regional protection available):** ARIPO (BW, GH, GM, KE, LR, LS, MW, MZ, NA, SD, SL, SZ, TZ, UG, ZM, ZW), Eurasian (AM, AZ, BY, KG, KZ, MD, RU, TJ, TM), European (AL, AT, BE, BG, CH, CY, CZ, DE, DK, EE, ES, FI, FR, GB, GR, HR, HU, IE, IS, IT, LT, LU, LV, MC, MK, MT, NL, NO, PL, PT, RO, RS, SE, SI, SK, SM, TR), OAPI (BF, BJ, CF, CG, CI, CM, GA, GN, GQ, GW, ML, MR, NE, SN, TD, TG).

Declarations under Rule 4.17:

— of inventorship (Rule 4.17(iv))

Published:

— with international search report (Art. 21(3))

[Continued on next page]

(54) **Title:** POSITIONING AND/OR HOLDING A PLURALITY OF LINE SECTIONS OF ELECTRIC LINES ALONG A DRIVE WAY OF A VEHICLE

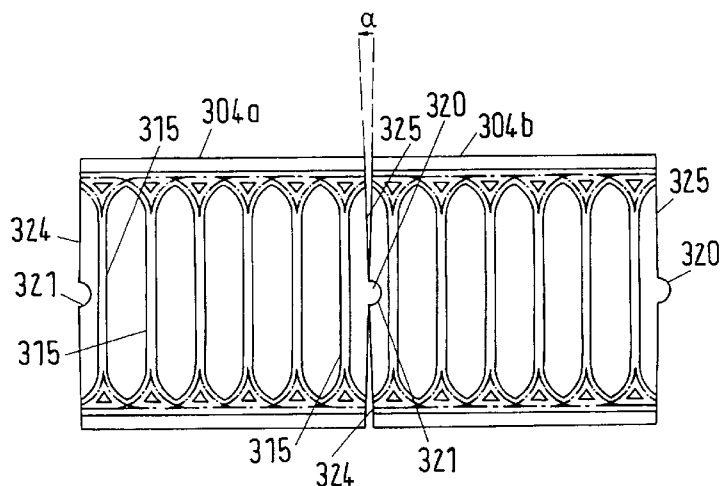


Fig.3

(57) **Abstract:** The invention relates to a shaped block (304) for positioning and/or holding a plurality of line sections (310) of one or more electric lines along the track of a vehicle, wherein the shaped block (304) comprises a plurality of recesses (315) and/or projections, wherein edges of the recesses (315) and/or the projections each delimit a space for the line sections (310) into which one of the line sections (310) can be introduced, so that said line section extends through the space in a longitudinal direction of the space, and wherein the longitudinal directions of the spaces delimited by the edges of the recesses (315) and/or by the projections extend essentially mutually parallel in a common plane.



WO 2011/076437 A3



— *before the expiration of the time limit for amending the claims and to be republished in the event of receipt of amendments (Rule 48.2(h))*

(88) Date of publication of the international search report:
29 March 2012

INTERNATIONAL SEARCH REPORT

International application No
PCT/EP2010/007989

A. CLASSIFICATION OF SUBJECT MATTER
 INV. B60L5/00 E01B21/00 B60M1/34
 ADD.
 According to International Patent Classification (IPC) or to both national classification and IPC

B. FIELDS SEARCHED
 Minimum documentation searched (classification system followed by classification symbols)
 B60L B60M

Documentation searched other than minimum documentation to the extent that such documents are included in the fields searched

Electronic data base consulted during the international search (name of data base and, where practical, search terms used)
 EPO-Internal, WPI Data

C. DOCUMENTS CONSIDERED TO BE RELEVANT

Category*	Citation of document, with indication, where appropriate, of the relevant passages	Relevant to claim No.
X A	DE 10 2007 009367 A1 (SEW EURODRIVE GMBH & CO [DE]) 6 September 2007 (2007-09-06) paragraph [0032] - paragraph [0066]; figures 1-10	1,3,4,7, 11 5,8,9, 12,13
X	GB 2 236 957 A (ARTIN IND CO LTD [HK]) 24 April 1991 (1991-04-24) the whole document	1,3,4,7, 11
X	DE 200 02 984 U1 (ROSENHEIMER FOERDERANLAGE [DE]) 20 July 2000 (2000-07-20) the whole document	1,3,4,7, 11
X	US 2008/129246 A1 (MORITA KATSUAKI [JP] ET AL) 5 June 2008 (2008-06-05) the whole document	1,3,4,7, 11

Further documents are listed in the continuation of Box C.

See patent family annex.

* Special categories of cited documents :

- "A" document defining the general state of the art which is not considered to be of particular relevance
- "E" earlier document but published on or after the international filing date
- "L" document which may throw doubts on priority claim(s) or which is cited to establish the publication date of another citation or other special reason (as specified)
- "O" document referring to an oral disclosure, use, exhibition or other means
- "P" document published prior to the international filing date but later than the priority date claimed

- "T" later document published after the international filing date or priority date and not in conflict with the application but cited to understand the principle or theory underlying the invention
- "X" document of particular relevance; the claimed invention cannot be considered novel or cannot be considered to involve an inventive step when the document is taken alone
- "Y" document of particular relevance; the claimed invention cannot be considered to involve an inventive step when the document is combined with one or more other such documents, such combination being obvious to a person skilled in the art.
- "&" document member of the same patent family

Date of the actual completion of the international search 26 January 2012	Date of mailing of the international search report 03/02/2012
---	---

Name and mailing address of the ISA/ European Patent Office, P.B. 5818 Patentlaan 2 NL - 2280 HV Rijswijk Tel. (+31-70) 340-2040, Fax: (+31-70) 340-3016	Authorized officer Bolder, Arthur
--	---

INTERNATIONAL SEARCH REPORT

Information on patent family members

International application No PCT/EP2010/007989

Patent document cited in search report	Publication date	Patent family member(s)	Publication date
DE 102007009367 A1	06-09-2007	NONE	

GB 2236957	A	24-04-1991	GB 2236957 A
			24-04-1991
		HK 157296 A	30-08-1996

DE 20002984	U1	20-07-2000	DE 19947368 C1
			10-05-2001
		DE 20002984 U1	20-07-2000

US 2008129246	A1	05-06-2008	JP 4209437 B2
			14-01-2009
		JP 2008120239 A	29-05-2008
		SG 143162 A1	27-06-2008
		TW 200832860 A	01-08-2008
		US 2008129246 A1	05-06-2008
