



US00D870430S

(12) **United States Design Patent**  
**Nickless**

(10) **Patent No.:** **US D870,430 S**

(45) **Date of Patent:** **\*\* Dec. 24, 2019**

- (54) **SHOE**
- (71) Applicant: **NIKE, Inc.**, Beaverton, OR (US)
- (72) Inventor: **David Nickless**, Beaverton, OR (US)
- (73) Assignee: **NIKE, Inc.**, Beaverton, OR (US)
- (\*\*) Term: **15 Years**
- (21) Appl. No.: **29/649,079**

D599,538 S \* 9/2009 del Biondi ..... D2/902  
 7,597,946 B2 \* 10/2009 Watkins ..... A43B 13/206  
 428/35.7  
 8,087,187 B2 \* 1/2012 Aveni ..... A43B 13/189  
 36/28  
 D810,407 S \* 2/2018 DeAlmeida ..... D2/947

- (22) Filed: **May 25, 2018**
- (51) **LOC (12) Cl.** ..... **02-04**
- (52) **U.S. Cl.**  
USPC ..... **D2/947**
- (58) **Field of Classification Search**  
USPC ..... D2/902, 906, 907, 908, 909, 916, 922,  
D2/947, 952, 957, 961, 962; 36/24.5,  
36/25 R, 28, 32 R, 34 R, 67 A, 103  
CPC ..... A43B 13/00; A43B 13/02; A43B 13/023;  
A43B 13/026; A43B 13/08; A43B 13/10;  
A43B 13/04; A43B 13/12  
See application file for complete search history.

**OTHER PUBLICATIONS**

Air Bubble Sport posted by Get Fit posted date Feb. 5, 2016, © Amazon UK, [online], [site visited Jul. 12, 2019]. Available from Internet, [https://www.amazon.co.uk/Get-Fit-Performance-Lightweight-Trainers/dp/B01BI4Y840/ref=cts\\_sh\\_2\\_vtp?th=1](https://www.amazon.co.uk/Get-Fit-Performance-Lightweight-Trainers/dp/B01BI4Y840/ref=cts_sh_2_vtp?th=1) (Year: 2016).\*

(Continued)

*Primary Examiner* — Cynthia Ramirez  
*Assistant Examiner* — Laura H Yu  
(74) *Attorney, Agent, or Firm* — Banner & Witcoff, Ltd.

(57) **CLAIM**

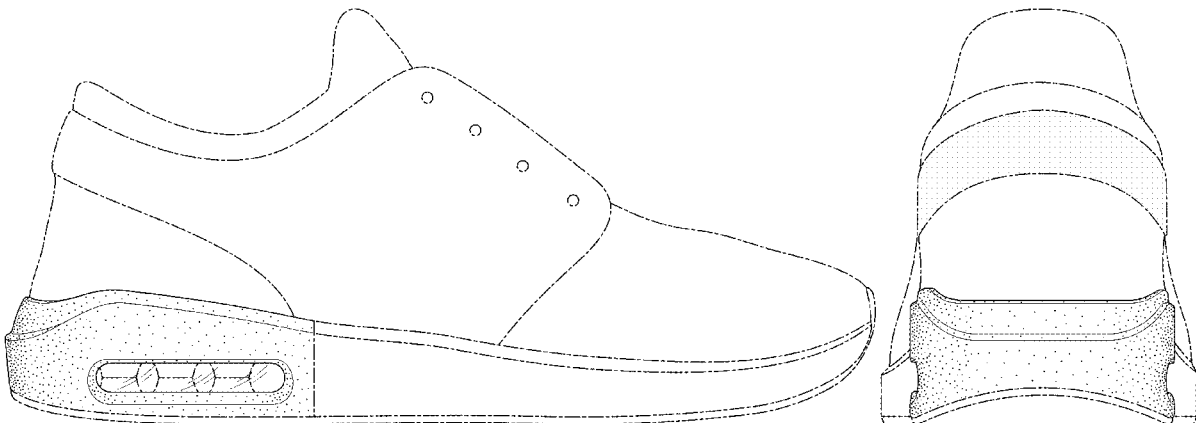
The ornamental design for a shoe, as shown and described.

**DESCRIPTION**

FIG. 1 is a side view of a shoe showing my new design; FIG. 2 is a rear perspective view thereof; FIG. 3 is a rear view thereof; FIG. 4 is a second rear perspective view thereof; and, FIG. 5 is an opposite side view thereof. The broken lines immediately adjacent to the shaded area define the bounds of the claimed design and form no part thereof. The broken lines within the shaded area represents features visible through the translucent surface which form no part of the claimed design. The broken lines depicting the remainder of the shoe show features that form no part of the claimed design.

**1 Claim, 5 Drawing Sheets**

- (56) **References Cited**  
U.S. PATENT DOCUMENTS  
D262,581 S \* 1/1982 Chevallereau ..... D2/908  
4,817,304 A \* 4/1989 Parker ..... A43B 13/20  
36/114  
D311,989 S \* 11/1990 Parker ..... D2/947  
D335,952 S \* 6/1993 Forland ..... D2/977  
D339,674 S \* 9/1993 Avar ..... D2/977  
D397,543 S \* 9/1998 Silvers ..... D2/897  
D409,362 S \* 5/1999 Turner ..... D2/951  
D499,541 S \* 12/2004 Dolan ..... D2/977  
D515,297 S \* 2/2006 Acheson ..... D2/947  
7,464,489 B2 \* 12/2008 Ho ..... A43B 13/181  
36/28



(56)

**References Cited**

## OTHER PUBLICATIONS

Women's Sports Running posted by Padgene posted date Aug. 8, 2016, © Amazon UK, [online], [site visited Jul. 12, 2019]. Available from Internet, <https://www.amazon.co.uk/Padgene-Trainers-Running-Sneaker-Jogging/> (Year: 2016).\*

Slip on Shoes posted by Ochenta posted date May 4, 2017, © Amazon UK, [online], [site visited Jul. 12, 2019]. Available from Internet, [https://www.amazon.co.uk/OCHENTA-Womens-Walking-Fitness-Trainers/dp/B07282NV4W/ref=cts\\_sh\\_3\\_vtp](https://www.amazon.co.uk/OCHENTA-Womens-Walking-Fitness-Trainers/dp/B07282NV4W/ref=cts_sh_3_vtp) (Year: 2017).\*

Golf Shoes posted by Nike posted date unknown, © Golf Poser, [online], [site visited Jul. 12, 2019]. Available from Internet, <https://www.golfposer.com/nike-golf-shoes-air-max-1-g-nrg-green-grass-2019> (Year: 2019).\*

The Nike Roshe Two Features Matte Silver Uppers [online], [retrieved May 16, 2018] retrieved from internet <URL: <https://sneakernews.com/2017/04/01/nike-roshe-two-silver-white/>>; 6 color sheets, Dated Apr. 1, 2017.

Nyjah Huston on How He Helped Solve One of Skates Biggest Shoe Problems [online], [retrieved May 16, 2018] retrieved from internet <URL: <https://news.nike.com/news/nyjah-huston-nike-sb-nyjah>>; 7 color sheets, Dated Feb. 27, 2018.

Nike Air Max 90 Essential "Sport Turquoise" Is Available Now [online], [retrieved May 16, 2018] retrieved from internet <URL: <https://sneakernews.com/2018/04/28/nike-air-max-90-essential-sport-turquoise-available-now/>>; 7 color sheets, Dated Apr. 28, 2018.

\* cited by examiner

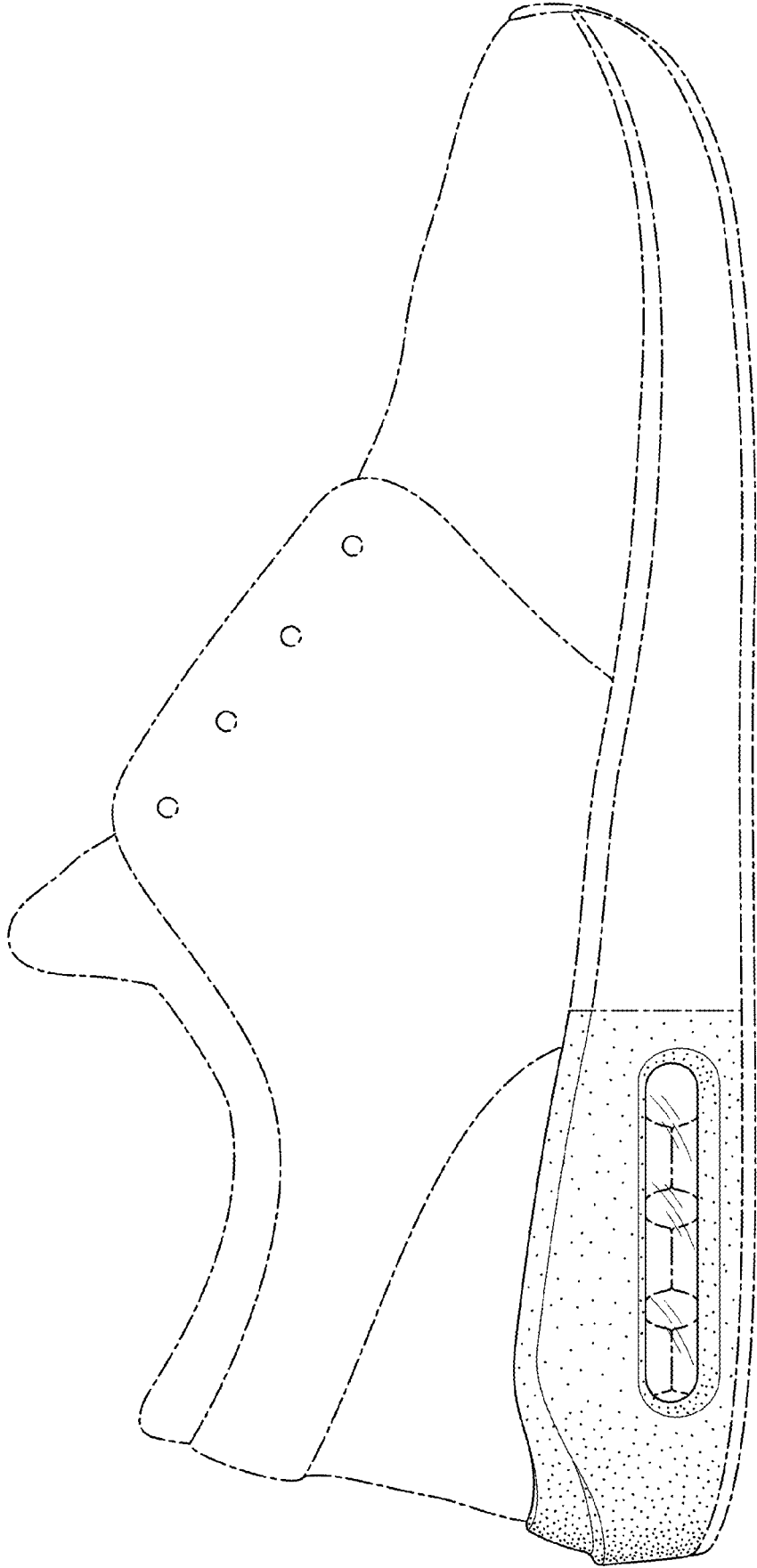


FIG. 1

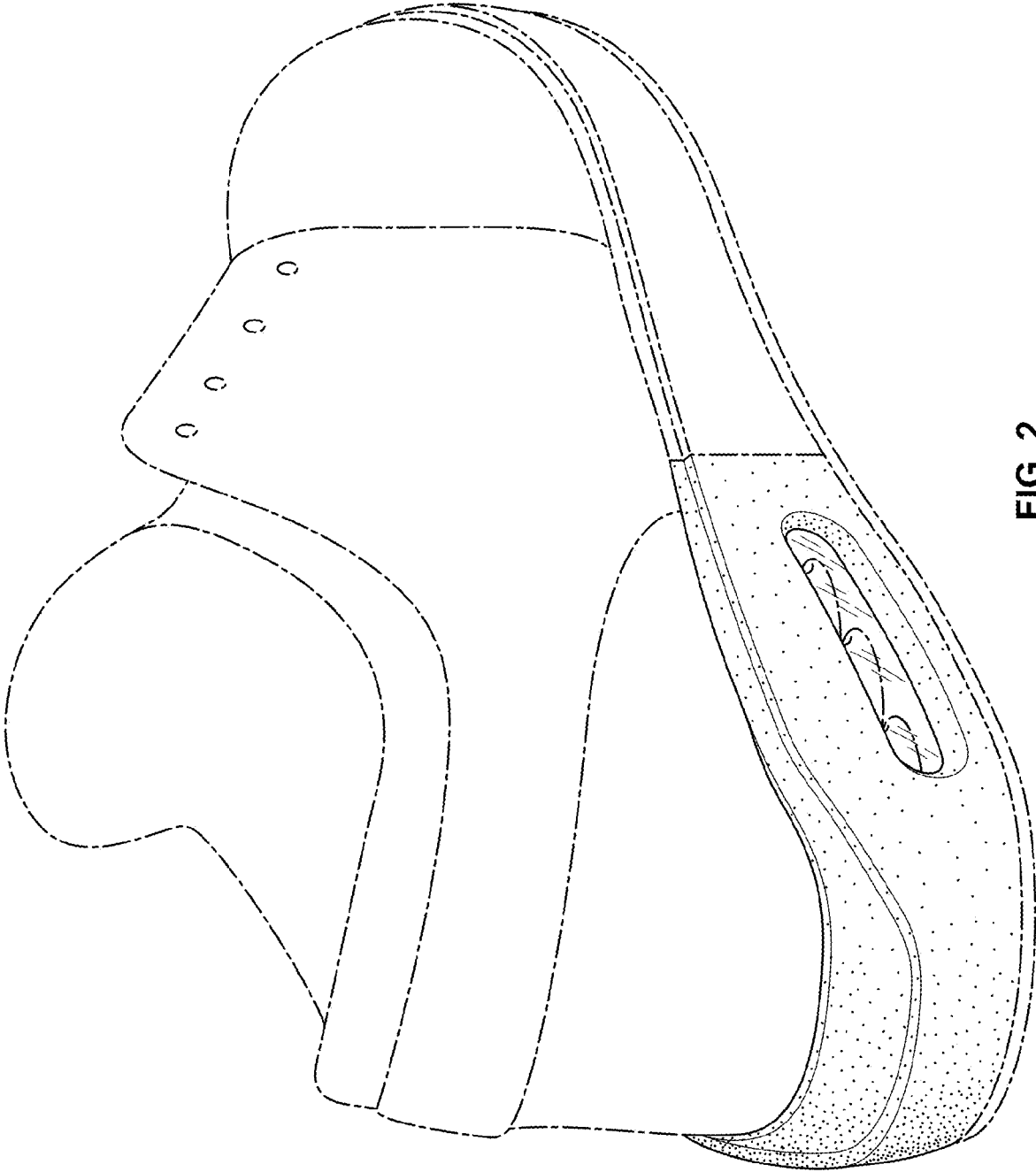


FIG. 2

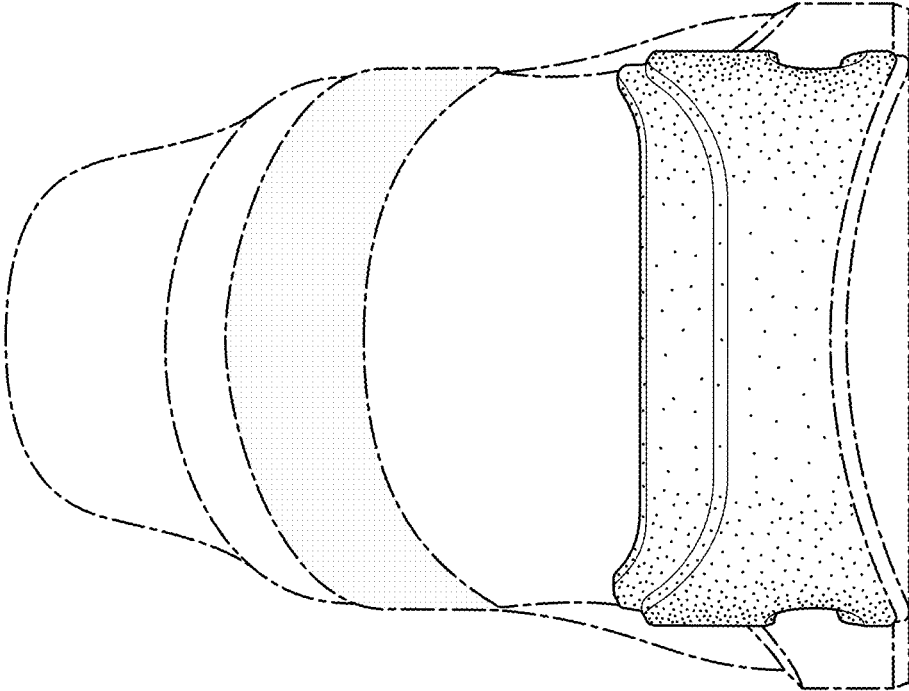


FIG. 3

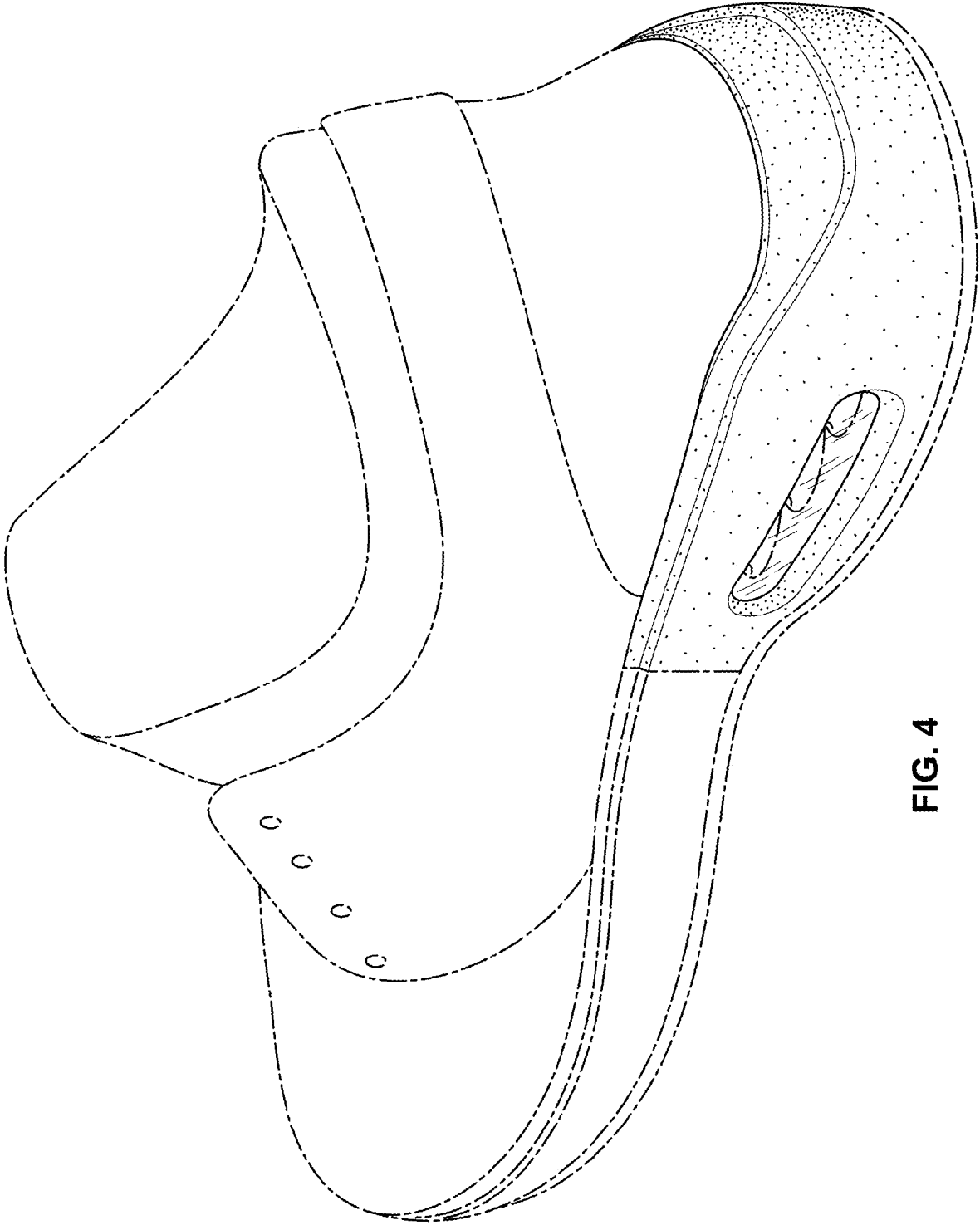


FIG. 4

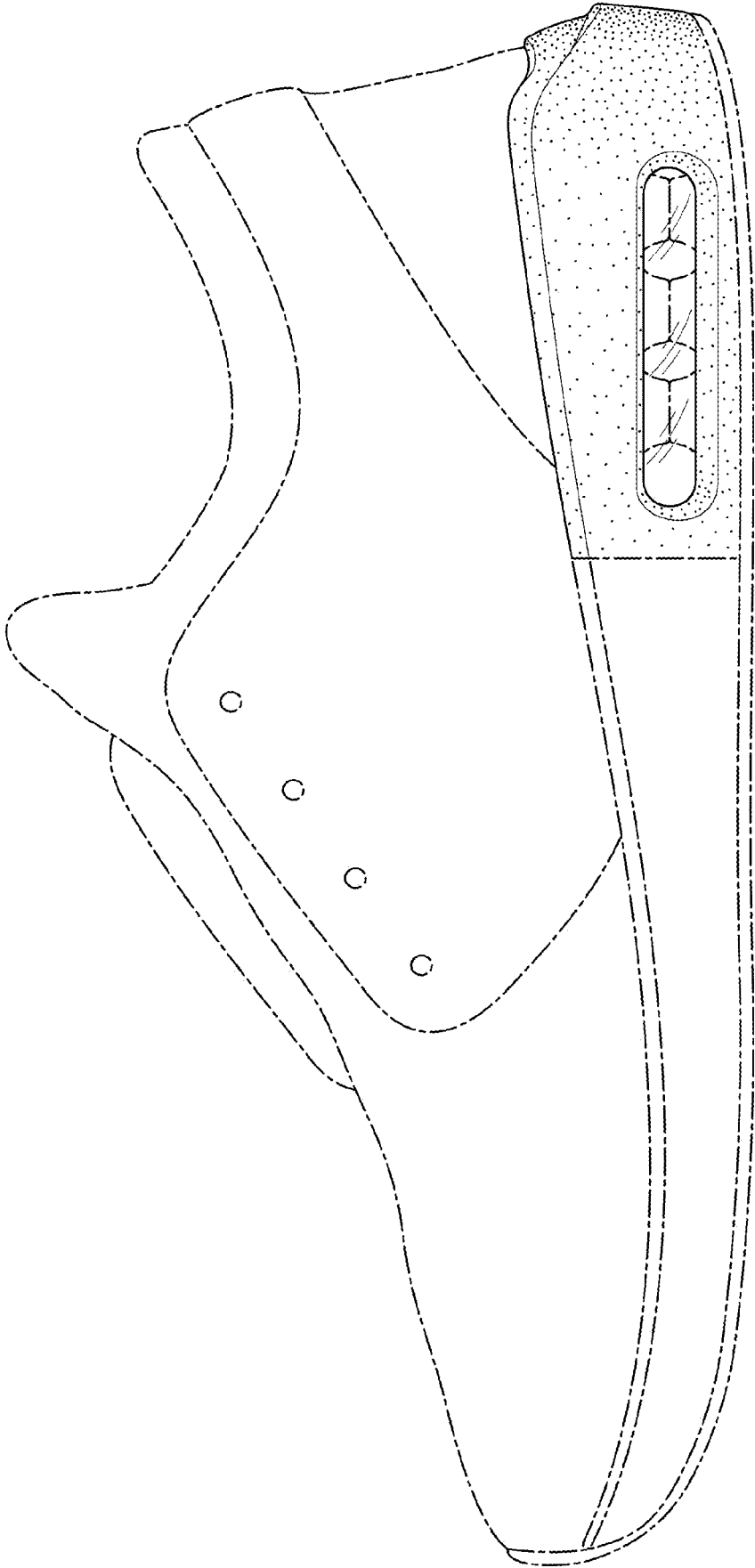


FIG. 5