



US00D936039S

(12) **United States Design Patent**  
**Jung et al.**

(10) **Patent No.:** **US D936,039 S**

(45) **Date of Patent:** **\*\* Nov. 16, 2021**

- (54) **SPEAKER**
- (71) Applicant: **LG ELECTRONICS INC.**, Seoul (KR)
- (72) Inventors: **Dana Jung**, Seoul (KR); **Kyongtae Han**, Seoul (KR); **Kyoungju Ryu**, Seoul (KR); **Arim Kwon**, Seoul (KR)
- (73) Assignee: **LG ELECTRONICS INC.**, Seoul (KR)

D692,760	S	*	11/2013	Rapparini	.....	D9/500
D705,064	S	*	5/2014	Sy	.....	D9/500
D728,525	S	*	5/2015	Zhang	.....	D14/216
D728,526	S	*	5/2015	Zhang	.....	D14/216
D791,775	S	*	7/2017	Park	.....	D14/447
D806,691	S	*	1/2018	Andersson	.....	D14/240
D823,840	S	*	7/2018	Gilbert	.....	D14/238
D826,053	S	*	8/2018	Schaling	.....	D9/503
D858,497	S	*	9/2019	Laurans	.....	D14/240
D864,929	S	*	10/2019	Laurans	.....	D14/240

(Continued)

- (\*\*) Term: **15 Years**
- (21) Appl. No.: **29/728,122**
- (22) Filed: **Mar. 16, 2020**

(30) **Foreign Application Priority Data**

Sep. 26, 2019 (KR) ..... 30-2019-0046345

- (51) **LOC (13) Cl.** ..... **14-01**
- (52) **U.S. Cl.**

USPC ..... **D14/216**

(58) **Field of Classification Search**

USPC ..... D14/155-159, 160-173, 187-188,  
D14/203.1-203.8, 204-216, 217-222,  
D14/225-229, 356-358, 361, 362, 365,  
D14/367, 370, 388, 496; D13/103,  
D13/107-108

CPC ..... H04R 1/02; H04R 1/021; H04R 1/025;  
H04R 1/026; H04R 1/028; H04R 1/06;  
H04R 1/105; H04R 1/323; H04R 1/403;  
H04R 1/2803; H04R 1/2834

See application file for complete search history.

(56) **References Cited**

**U.S. PATENT DOCUMENTS**

D106,163	S	*	9/1937	Williams	.....	D13/103
D552,516	S	*	10/2007	Files	.....	D12/114
D563,286	S	*	3/2008	Files	.....	D12/114
D624,543	S	*	9/2010	Kettula	.....	D14/388

**OTHER PUBLICATIONS**

Moxie® 1.75 gpm showerhead and wireless speaker, review date: 2020, [retrieved Jun. 2, 2021], Retrieved from Internet, URL: <<https://www.us.kohler.com/us/moxie-1.75-gpm-showerhead-and-wireless-speaker/productDetail/showerheads/1803326.htm>> (Year: 2020).\*

*Primary Examiner* — Barbara Fox

*Assistant Examiner* — Aram Kwon

(74) *Attorney, Agent, or Firm* — Birch, Stewart, Kolasch & Birch, LLP

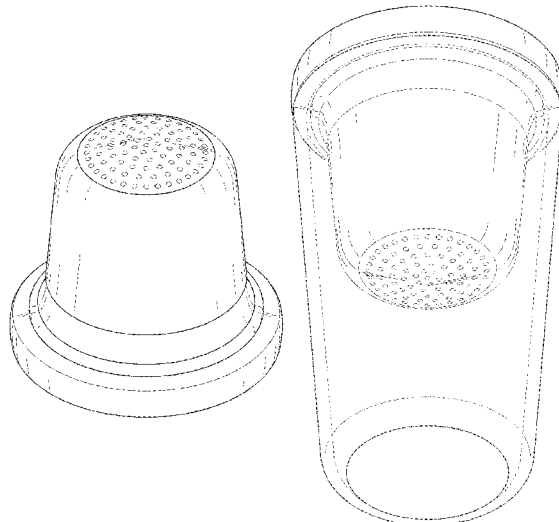
(57) **CLAIM**

We claim the ornamental design for a speaker, as shown and described.

**DESCRIPTION**

FIG. 1 is a perspective view of a speaker showing the new design;  
FIG. 2 is a front elevation view thereof;  
FIG. 3 is a rear elevation view thereof;  
FIG. 4 is a left-side elevation view thereof;  
FIG. 5 is a right-side elevation view thereof;  
FIG. 6 is a top plan view thereof;  
FIG. 7 is a bottom plan view thereof; and,  
FIG. 8 is a perspective view showing a state of use thereof.  
The broken line showing of the cup in FIG. 8 depicts environment and forms no part of the claimed design.

**1 Claim, 8 Drawing Sheets**



(56)

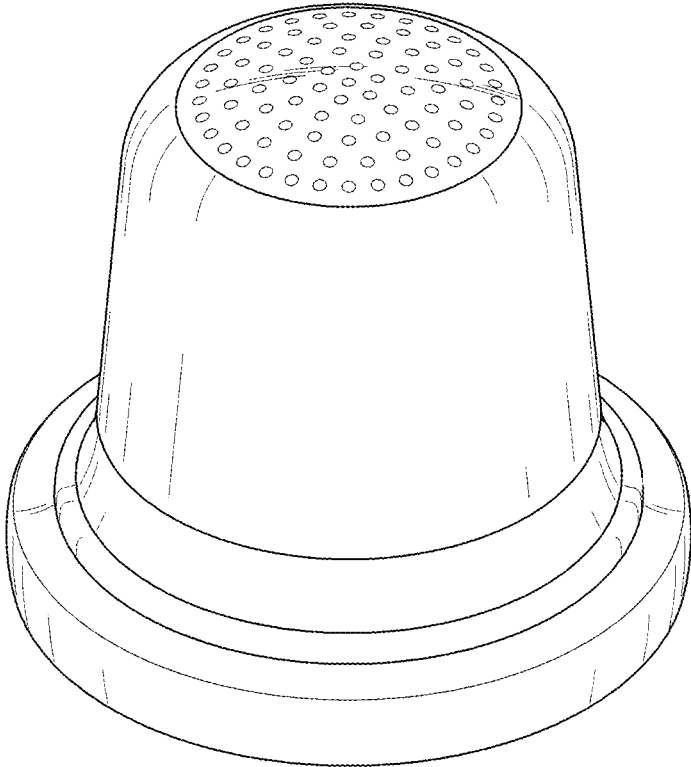
**References Cited**

U.S. PATENT DOCUMENTS

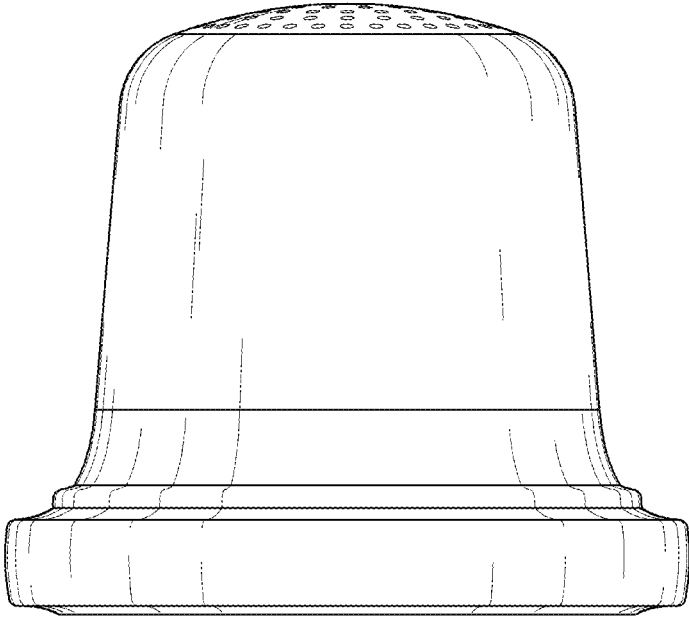
D884,475	S *	5/2020	Rapparini .....	D9/500
D899,244	S *	10/2020	Lee .....	D9/428
D919,430	S *	5/2021	Lee .....	D9/428
D920,097	S *	5/2021	Rapparini .....	D9/428
2009/0257612	A1 *	10/2009	Lin .....	H04R 1/021 381/345
2014/0064535	A1 *	3/2014	Zhao .....	H04R 1/021 381/332
2015/0271577	A1 *	9/2015	Hamilton .....	H04R 19/04 381/361

\* cited by examiner

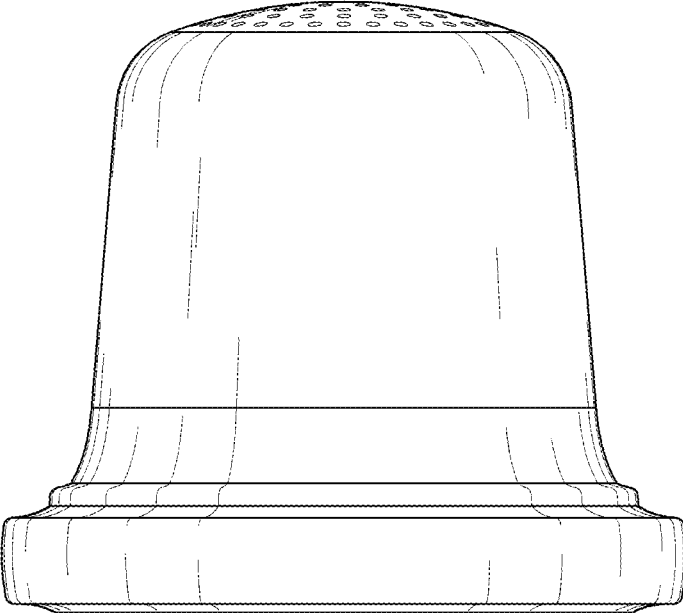
*FIG. 1*



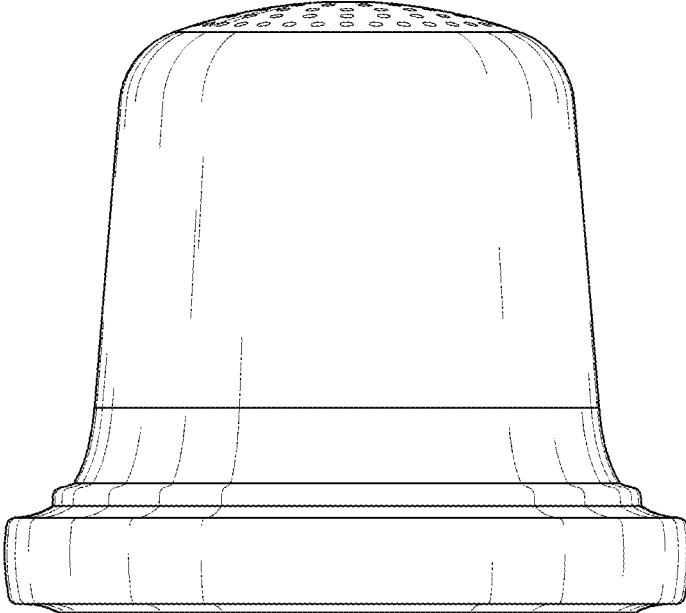
*FIG. 2*



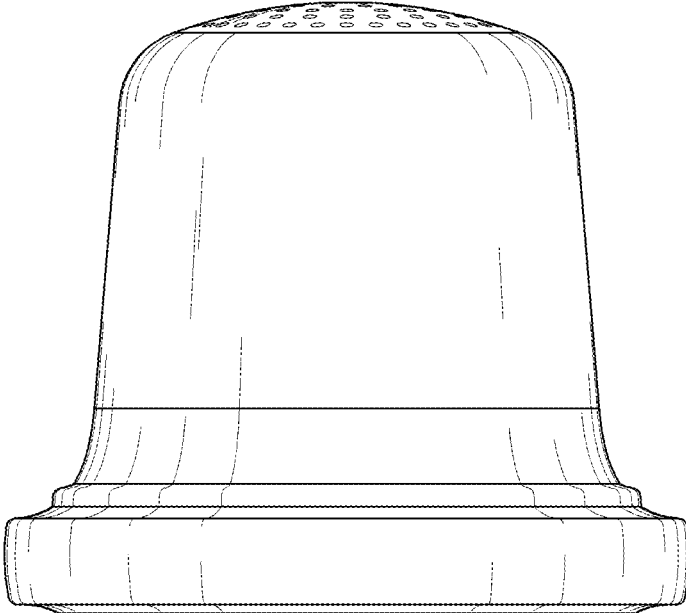
*FIG. 3*



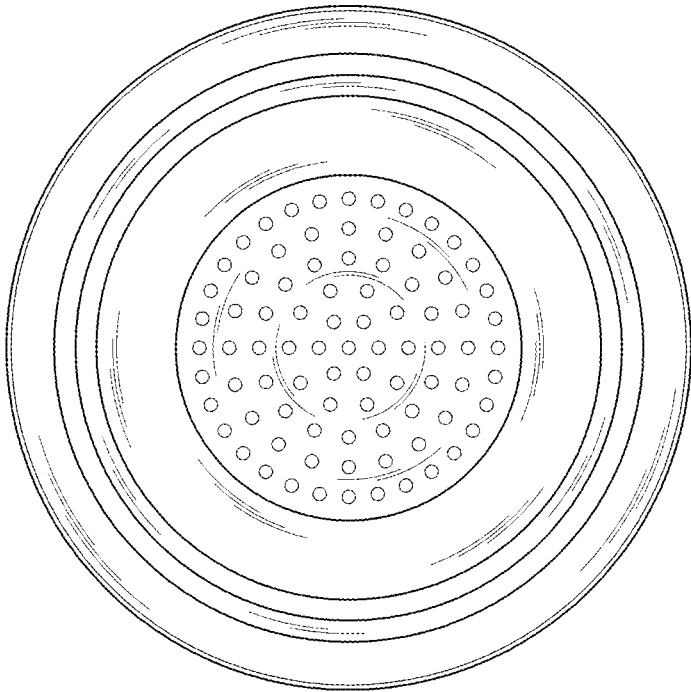
*FIG. 4*



*FIG. 5*



*FIG. 6*





*FIG. 7*

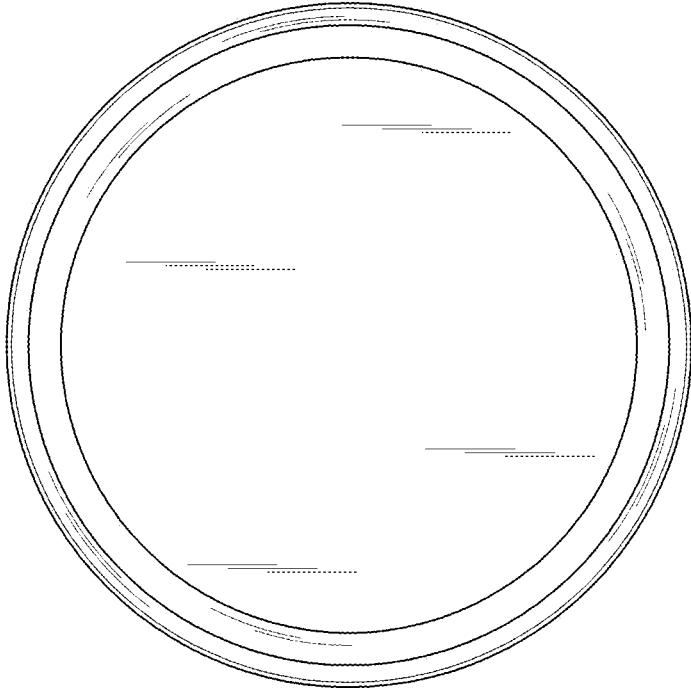


FIG. 8

