



US00D994898S

(12) **United States Design Patent**
Liao

(10) **Patent No.:** **US D994,898 S**

(45) **Date of Patent:** **** Aug. 8, 2023**

- (54) **PERCUSSION MASSAGER**
- (71) Applicant: **MerchSource, LLC**, Irvine, CA (US)
- (72) Inventor: **Denny SzuPao Liao**, Tustin, CA (US)
- (73) Assignee: **MerchSource, LLC**, Irvine, CA (US)
- (**) Term: **15 Years**

10,702,448 B2 7/2020 Wersland et al.
 10,714,953 B1 7/2020 Solana et al.
 D895,133 S 9/2020 Xu
 D895,135 S 9/2020 Xu
 10,758,452 B2 9/2020 Wersland et al.
 10,774,860 B2 9/2020 Wersland et al.
 D898,933 S 10/2020 Xu
 10,847,984 B2 11/2020 Solana et al.

(Continued)

- (21) Appl. No.: **29/815,928**
- (22) Filed: **Nov. 17, 2021**
- (51) **LOC (14) Cl.** **24-01**
- (52) **U.S. Cl.**
USPC **D24/215**
- (58) **Field of Classification Search**
USPC D24/209, 200, 211, 212, 213, 214, 215;
D28/13, 44; D8/14.1
CPC A61H 23/006; A61H 2201/0153; A61H
15/0085; A61H 7/005; A61H 7/003
See application file for complete search history.

FOREIGN PATENT DOCUMENTS

WO 2021222571 A1 11/2021
Primary Examiner — Michael A Maharajh
 (74) *Attorney, Agent, or Firm* — Avyno Law P.C.

(57) **CLAIM**

I claim the ornamental design for a percussion massager, as shown and described.

DESCRIPTION

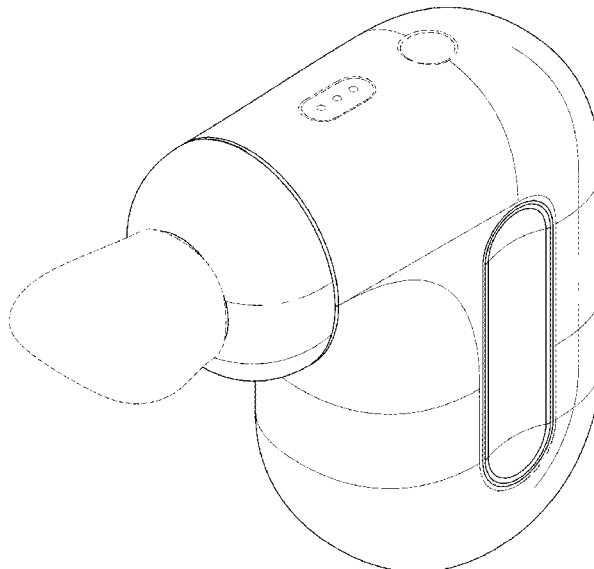
FIG. 1 is a top perspective view of the front and left side of a percussion massager of the present invention.
 FIG. 2 is a bottom perspective view of rear and right side of the percussion massager of FIG. 1.
 FIG. 3 is a side elevation view of the left side of the percussion massager of FIG. 1.
 FIG. 4 is a side elevation view of the right side of the percussion massager of FIG. 1.
 FIG. 5 is a front elevation view of the percussion massager of FIG. 1.
 FIG. 6 is a rear elevation view of the percussion massager of FIG. 1.
 FIG. 7 is a top plan view of the percussion massager of FIG. 1; and,
 FIG. 8 is a bottom plan view of the percussion massager of FIG. 1.
 In the drawings, the broken lines depict portions of the percussion massager that form no part of the claimed design.

(56) **References Cited**

U.S. PATENT DOCUMENTS

898,209 A	9/1908	Foster	
D403,075 S *	12/1998	Lie	D24/215
9,889,066 B2	2/2018	Danby et al.	
10,314,762 B1	6/2019	Marton et al.	
10,357,425 B2	7/2019	Wersland et al.	
D855,822 S	8/2019	Marton et al.	
10,428,850 B2	10/2019	Wersland et al.	
10,470,970 B2	11/2019	Nazarian et al.	
10,492,984 B2	12/2019	Marton et al.	
D873,432 S	1/2020	Duan	
D874,015 S	1/2020	Marton et al.	
D875,961 S	2/2020	Li	
10,557,490 B2	2/2020	Wersland et al.	
10,561,574 B1	2/2020	Marton et al.	
10,617,588 B2	4/2020	Wersland et al.	
D886,317 S	6/2020	Marton et al.	
10,682,281 B2	6/2020	Smith, Jr. et al.	

1 Claim, 6 Drawing Sheets



(56)

References Cited

U.S. PATENT DOCUMENTS

D905,863 S	12/2020	Lin	D953,556 S	5/2022	Marton et al.	
D906,533 S	12/2020	Xu	D953,559 S *	5/2022	He	D24/215
10,857,064 B2	12/2020	Wersland et al.	D956,251 S	6/2022	Marton et al.	
D908,908 S	1/2021	Xu	D956,252 S	6/2022	Marton et al.	
10,888,492 B2	1/2021	Marton et al.	D956,253 S	6/2022	Marton et al.	
10,905,627 B2	2/2021	Marton et al.	D956,254 S	6/2022	Marton et al.	
10,912,707 B2	2/2021	Wersland et al.	D956,255 S	6/2022	Marton et al.	
10,912,708 B2	2/2021	Marton et al.	D956,256 S	6/2022	Marton et al.	
10,918,565 B2	2/2021	Wersland et al.	D956,257 S	6/2022	Marton et al.	
10,940,081 B2	3/2021	Nazarian et al.	D956,258 S	6/2022	Marton et al.	
10,945,915 B2	3/2021	Wersland et al.	11,357,697 B2	6/2022	Wersland et al.	
10,959,908 B2	3/2021	Lee et al.	D965,167 S *	9/2022	Yu	D24/215
10,959,911 B2	3/2021	Wersland et al.	D967,972 S *	10/2022	Hu	D24/215
10,980,704 B2	4/2021	Wersland et al.	D975,299 S *	1/2023	Li	D24/215
D920,531 S *	5/2021	Xu	D975,300 S *	1/2023	Chen	D24/215
10,993,874 B1	5/2021	Marton et al.	D975,860 S *	1/2023	Ren	D24/215
D921,916 S	6/2021	Xu	2019/0247271 A1	8/2019	Lee et al.	
D921,917 S	6/2021	Xu	2020/0261306 A1	8/2020	Pepe	
D923,188 S	6/2021	Xu	2020/0276079 A1	9/2020	Cheng	
D923,190 S	6/2021	Xu	2020/0289365 A1	9/2020	Wersland et al.	
D923,194 S	6/2021	Xu	2020/0352822 A1	11/2020	Marton et al.	
D924,422 S	7/2021	Huang	2020/0390644 A1	12/2020	Yang	
D924,424 S *	7/2021	Wang	2021/0022955 A1	1/2021	Wersland et al.	
D925,751 S	7/2021	Wu	2021/0032257 A1	2/2021	Coates et al.	
D925,756 S	7/2021	Xu	2021/0038472 A1	2/2021	Marton et al.	
D925,758 S	7/2021	Xu	2021/0077340 A1	3/2021	Pepe	
D926,338 S	7/2021	Xu	2021/0104318 A1	4/2021	Wersland et al.	
D927,714 S	8/2021	Li	2021/0113427 A1	4/2021	Liu et al.	
D927,715 S	8/2021	Li	2021/0161759 A1	6/2021	Minkus	
11,090,222 B2	8/2021	Zhou	2021/0169733 A1	6/2021	Wersland et al.	
D931,481 S	9/2021	Li	2021/0177692 A1	6/2021	Nazarian et al.	
D931,487 S	9/2021	Li	2021/0244609 A1	8/2021	Lee et al.	
D935,636 S	11/2021	Luo	2021/0244610 A1	8/2021	Wersland et al.	
D935,637 S	11/2021	Li	2021/0244611 A1	8/2021	Wersland et al.	
11,160,721 B2	11/2021	Wersland et al.	2021/0283005 A1	9/2021	Lee et al.	
11,160,722 B2	11/2021	Wersland et al.	2021/0307998 A1	10/2021	Rochel	
11,160,723 B2	11/2021	Wersland et al.	2021/0361524 A1	11/2021	Marton et al.	
11,166,863 B2	11/2021	Wersland et al.	2022/0047451 A1	2/2022	Wersland et al.	
D945,005 S *	3/2022	Gao	2022/0047452 A1	2/2022	Wersland et al.	
11,285,075 B2	3/2022	Danby et al.	2022/0047453 A1	2/2022	Wersland et al.	
D949,400 S *	4/2022	Wersland	2022/0051780 A1	2/2022	Jacobs et al.	
D949,411 S *	4/2022	Chen	2022/0133585 A1	5/2022	Marton et al.	
			2022/0151865 A1 *	5/2022	Hu	A61H 23/02
			2022/0362097 A1 *	11/2022	Hart	A61H 23/006

* cited by examiner

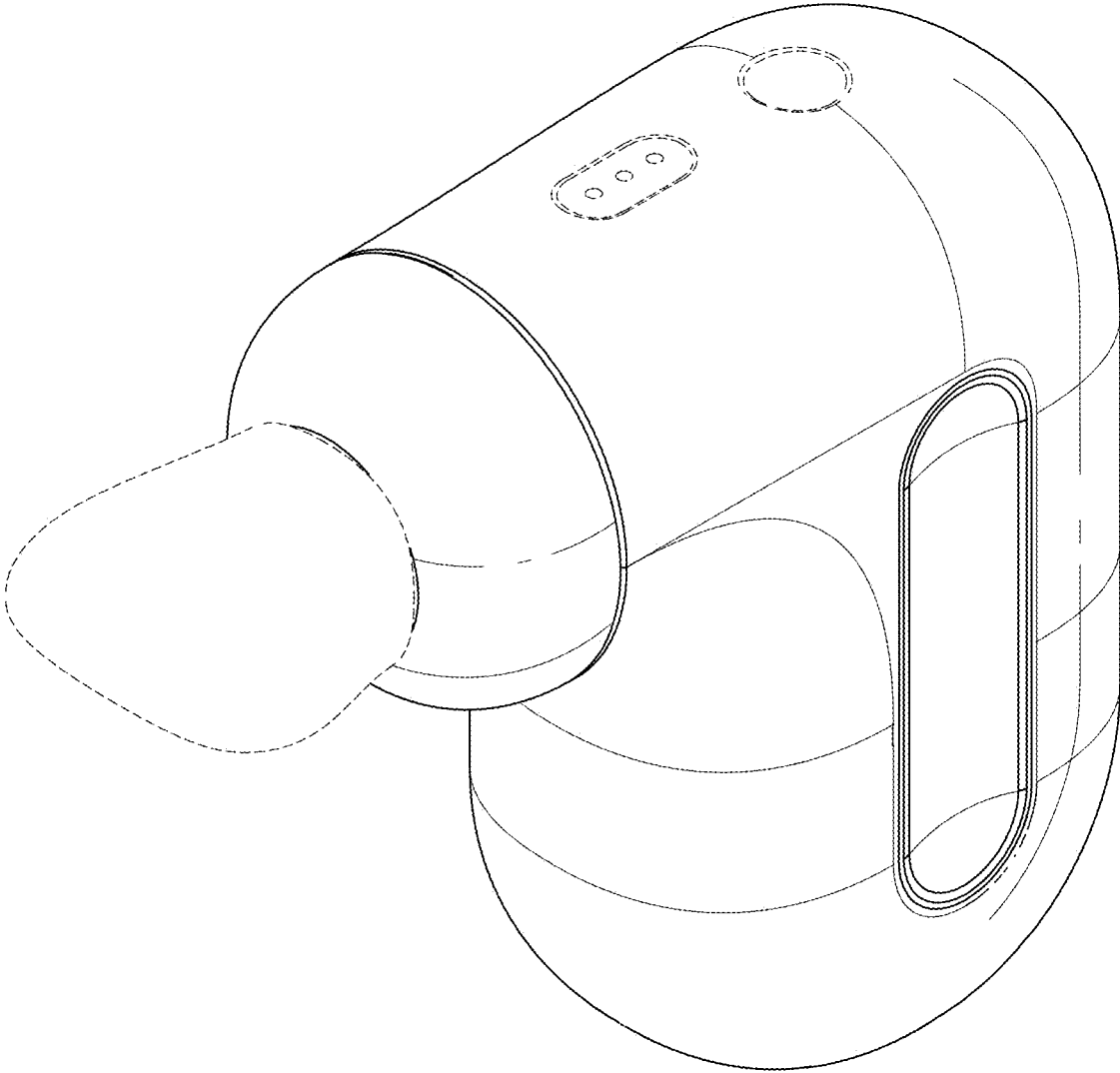


FIG. 1

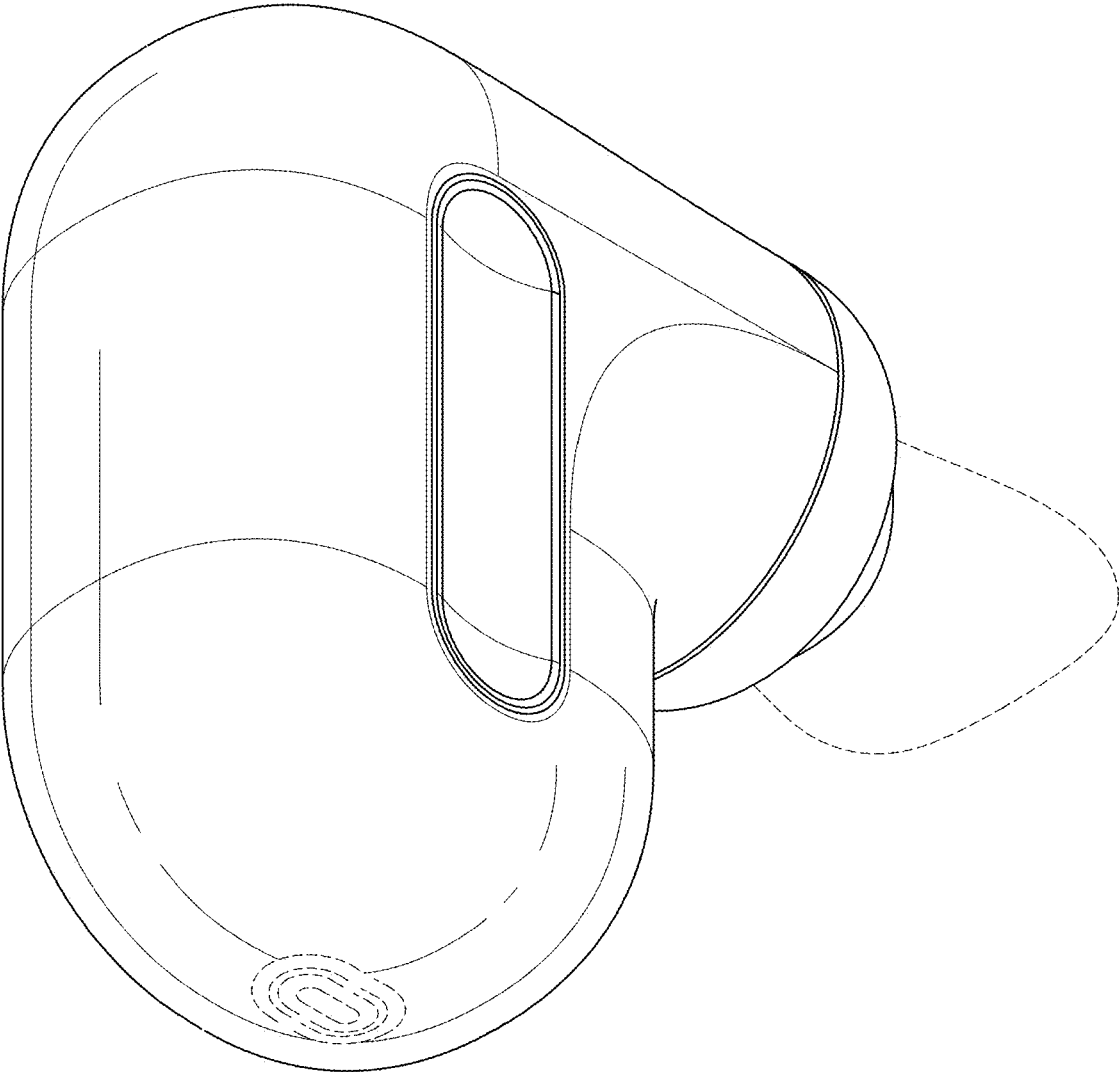


FIG. 2

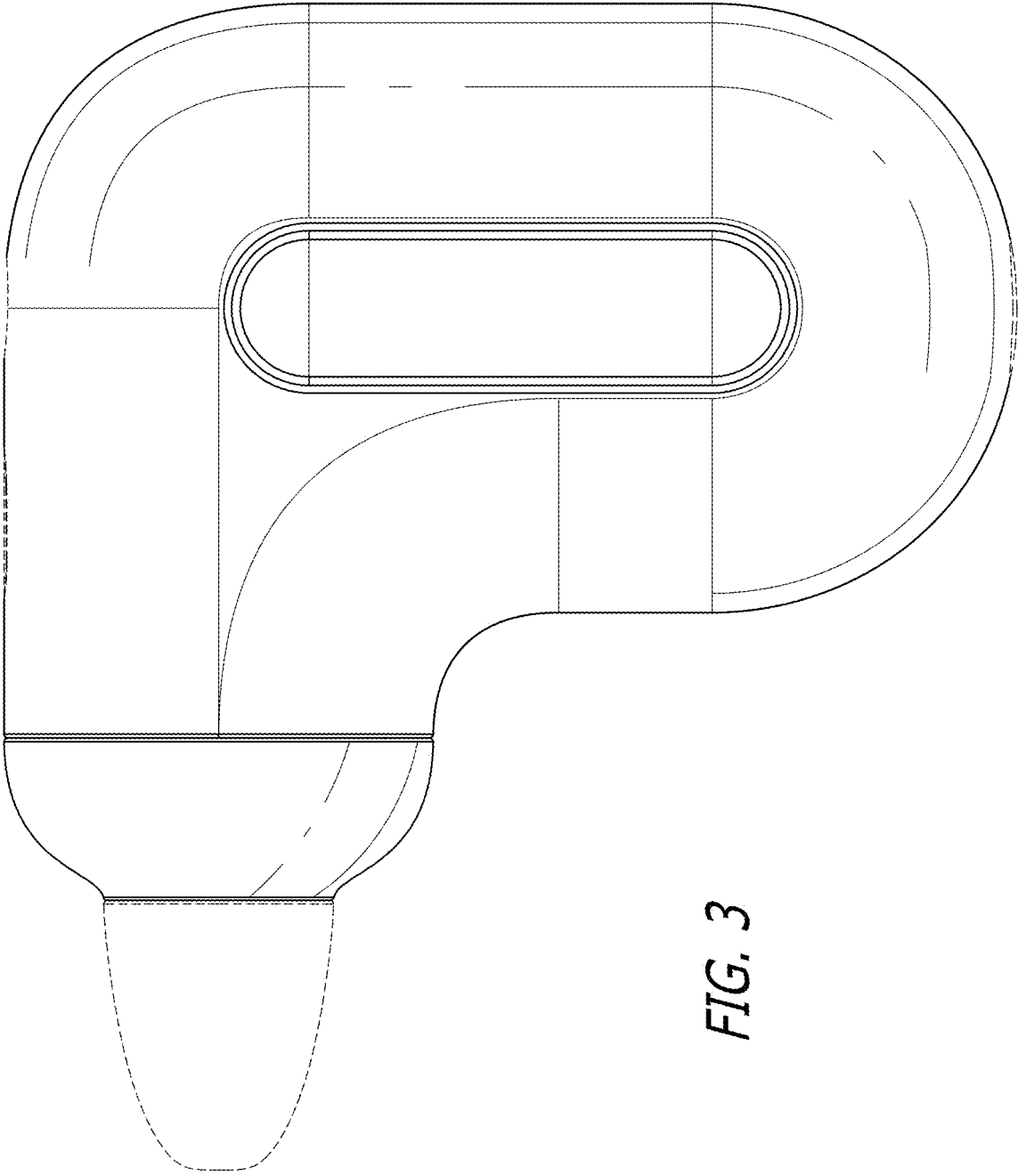


FIG. 3

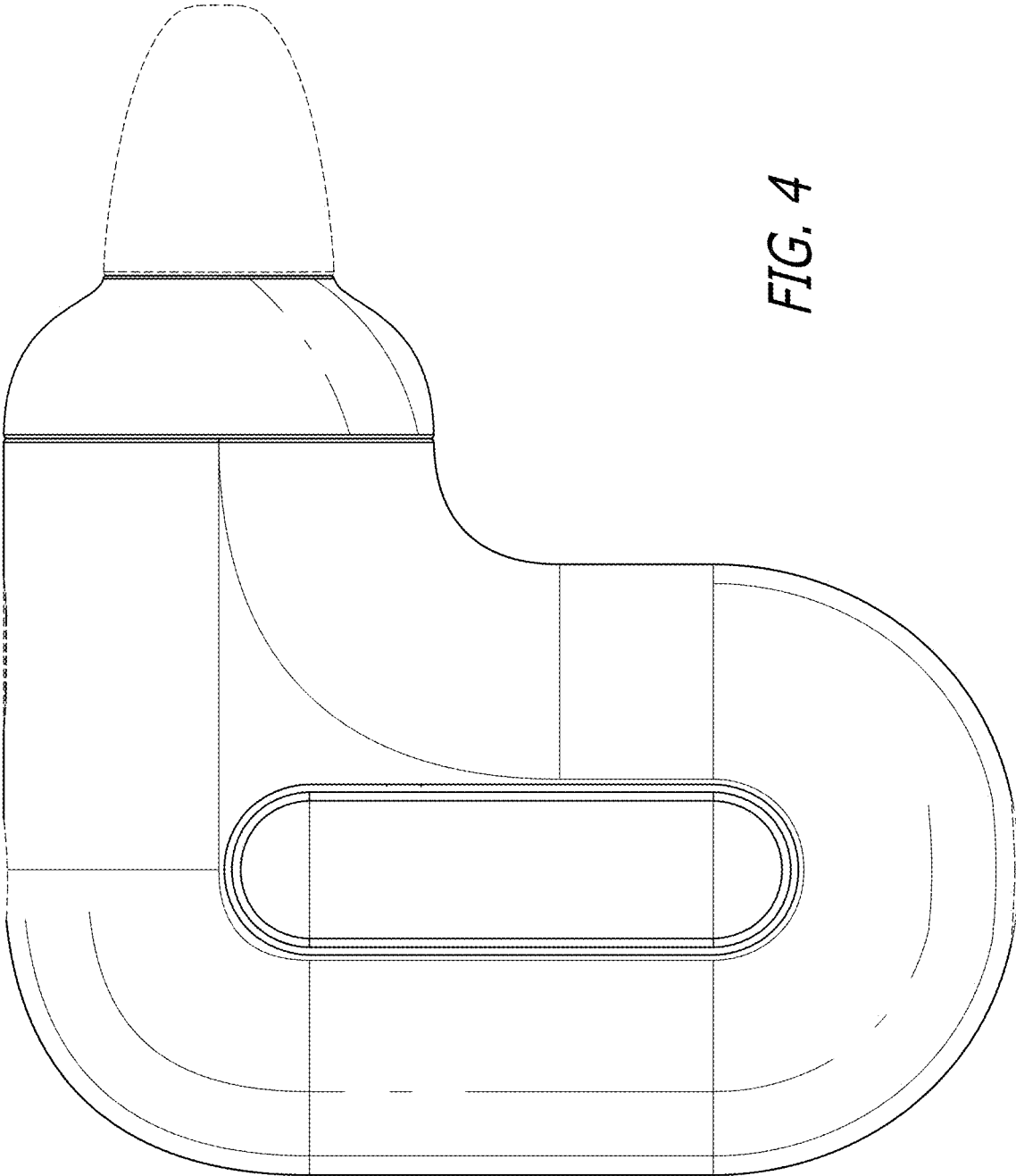


FIG. 4

FIG. 6

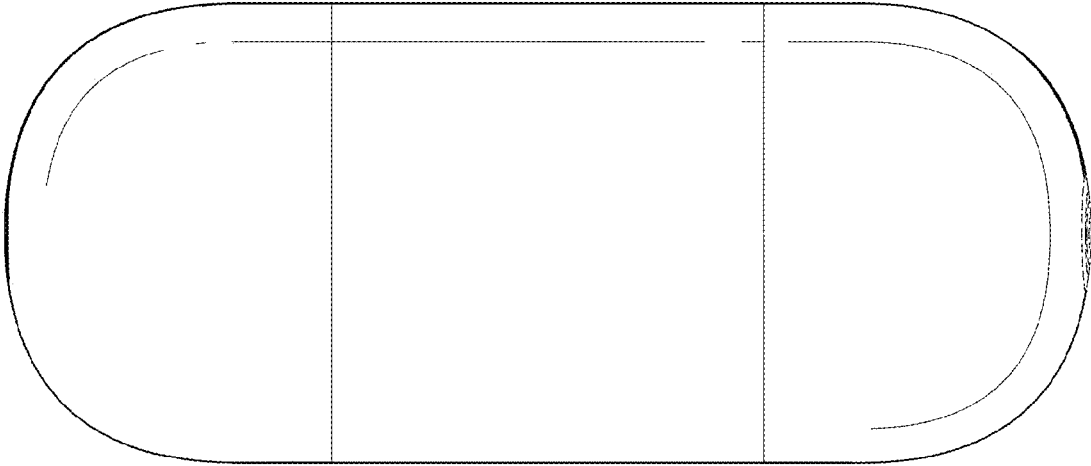


FIG. 5

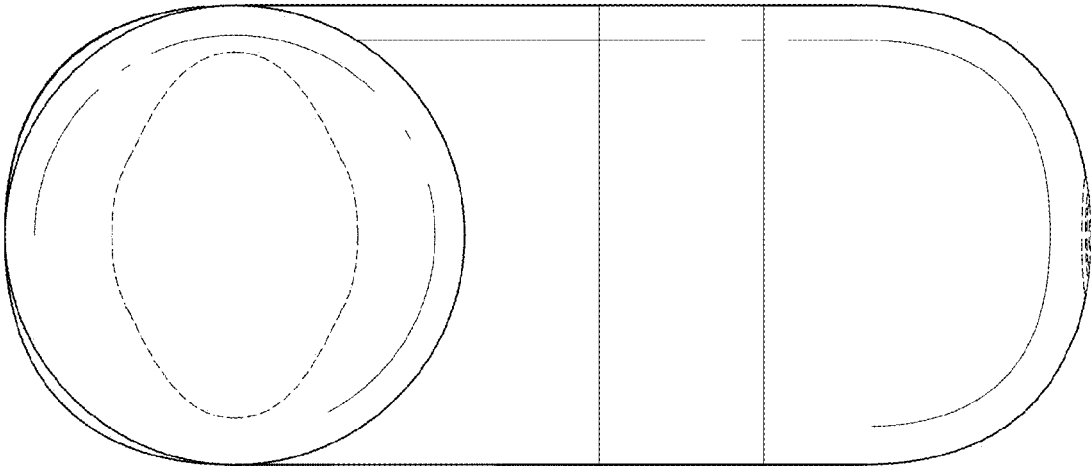


FIG. 7

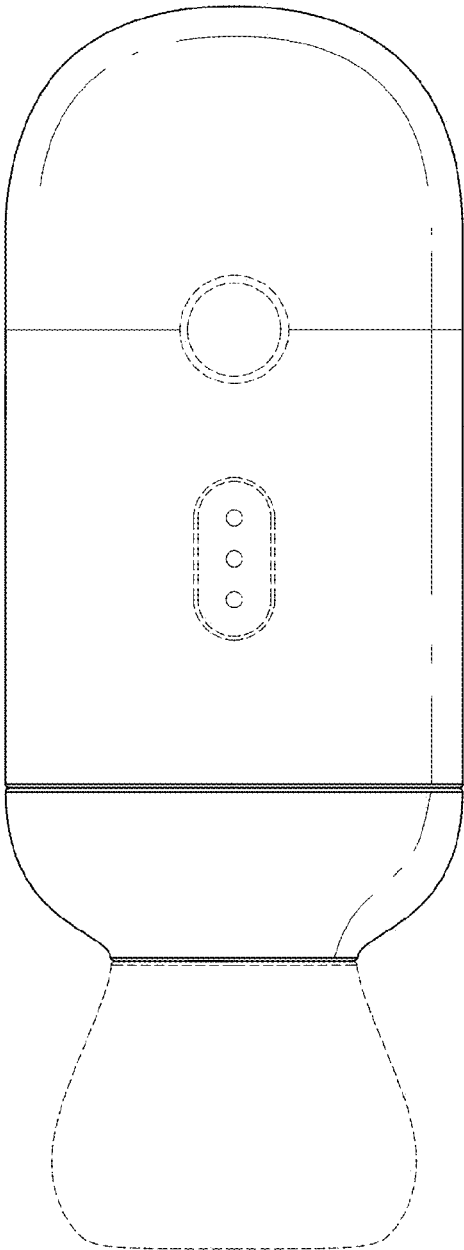


FIG. 8

